

# 8SS



RoHS Compliant

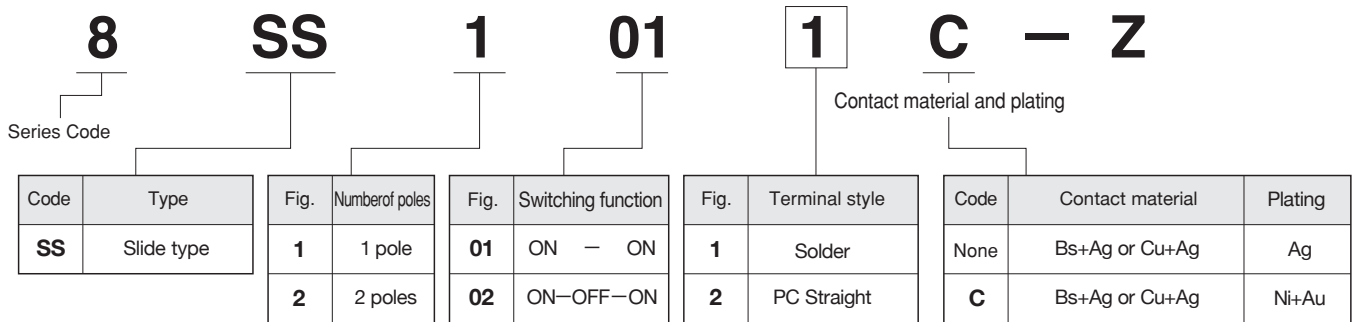


## Sub-miniature Slide Switch

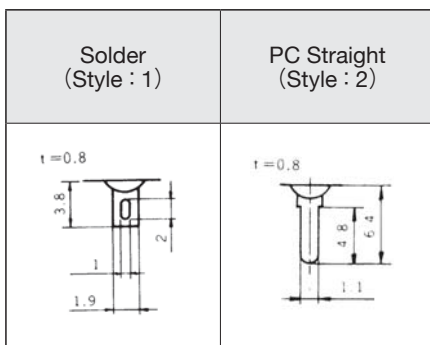
### Specifications

Contact specs.	Silver	Gold	
Rating	Max.	AC125V 6A DC30V 4A	DC20V 25mA AC125V 6A
	Min.	AC/DC5V 100mA	AC/DC20mV 1μA
Initial contact resistance	10mΩ max. (DC2~4V1A)	20mΩ max. (AC200μV 1,5mA)	
Initial dielectric strength	1,000VAC 1 minute		
Initial insulation resistance	1,000MΩ min. (DC500V)		
Electrical life	ON — ON	30,000 cycles	
	ON — OFF — ON	20,000 cycles	
Mechanical life	100,000 cycles		
Switch timing	-30~+85°C		
Operating temperature range	-40~+85°C		

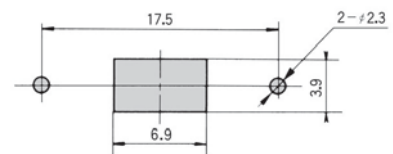
### Part Numbering



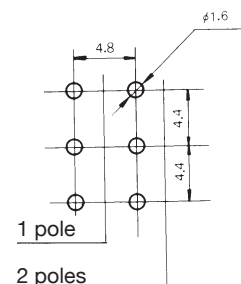
### Terminal Styles



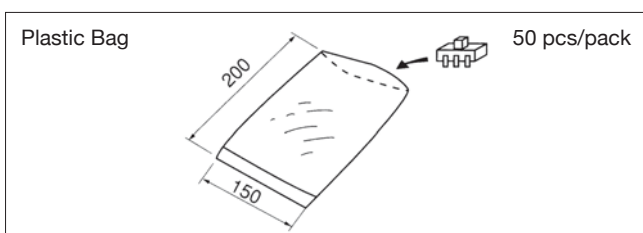
### Panel Cut-Out Dimensions



### PC Hole Layouts



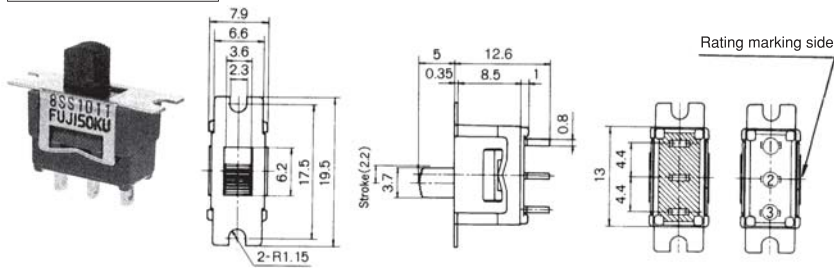
### Packaging Specifications



# 8SS

## SPDT

### Solder terminal



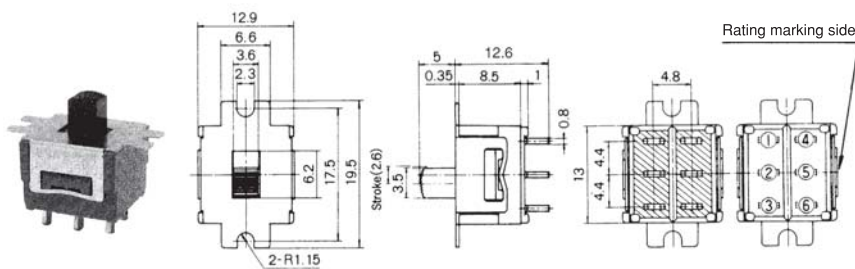
S/D

The terminal numbers are not shown on the switch.

Switching function	Viewed from rating marking side		
Part No.			
8SS1011-Z	ON	—	ON
★8SS1011C-Z	ON	—	ON
★8SS1021-Z	ON	OFF	ON
★8SS1021C-Z	ON	OFF	ON
Connecting terminals	2-1	—	2-3

## DPDT

### Solder terminal



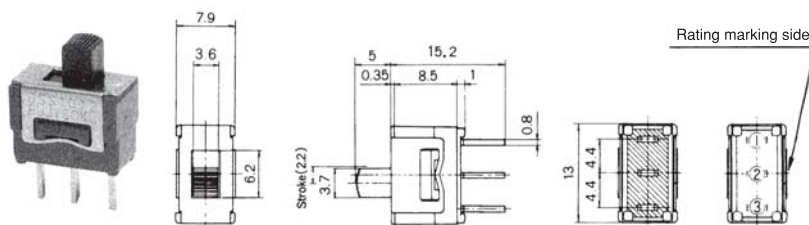
S/D

The terminal numbers are not shown on the switch.

Switching function	Viewed from rating marking side		
Part No.			
8SS2011-Z	ON	—	ON
★8SS2011C-Z	ON	—	ON
★8SS2021-Z	ON	OFF	ON
★8SS2021C-Z	ON	OFF	ON
Connecting terminals	2-1 5-4	—	2-3 5-6

## SPDT

### PC Straight



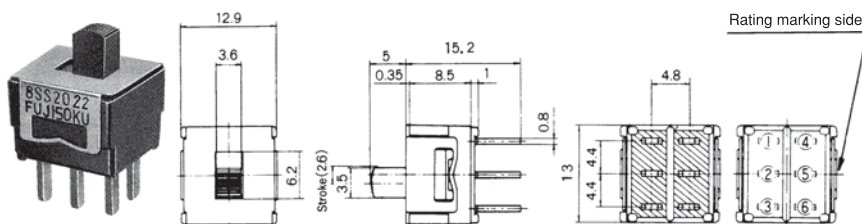
P/C

The terminal numbers are not shown on the switch.

Switching function	Viewed from rating marking side		
Part No.			
8SS1012-Z	ON	—	ON
▲8SS1012C-Z	ON	—	ON
★8SS1022-Z	ON	OFF	ON
★8SS1022C-Z	ON	OFF	ON
Connecting terminals	2-1	—	2-3

## DPDT

### PC Straight



P/C

The terminal numbers are not shown on the switch.

Switching function	Viewed from rating marking side		
Part No.			
8SS2012-Z	ON	—	ON
★8SS2012C-Z	ON	—	ON
★8SS2022-Z	ON	OFF	ON
★8SS2022C-Z	ON	OFF	ON
Connecting terminals	2-1 5-4	—	2-3 5-6