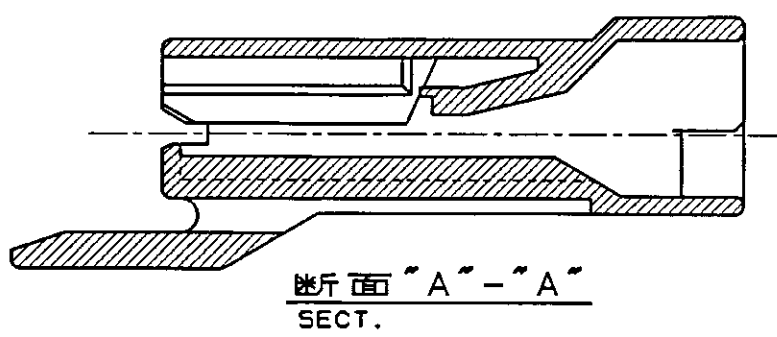
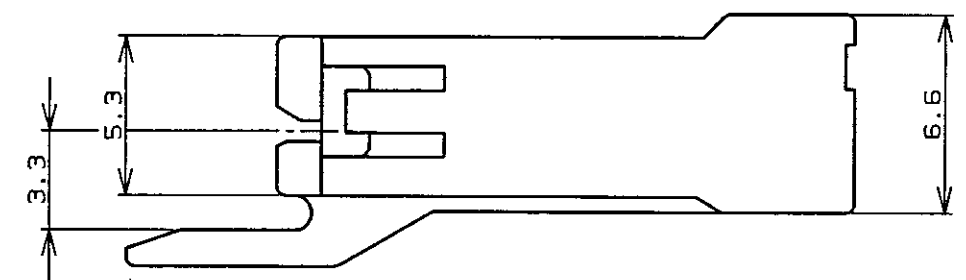
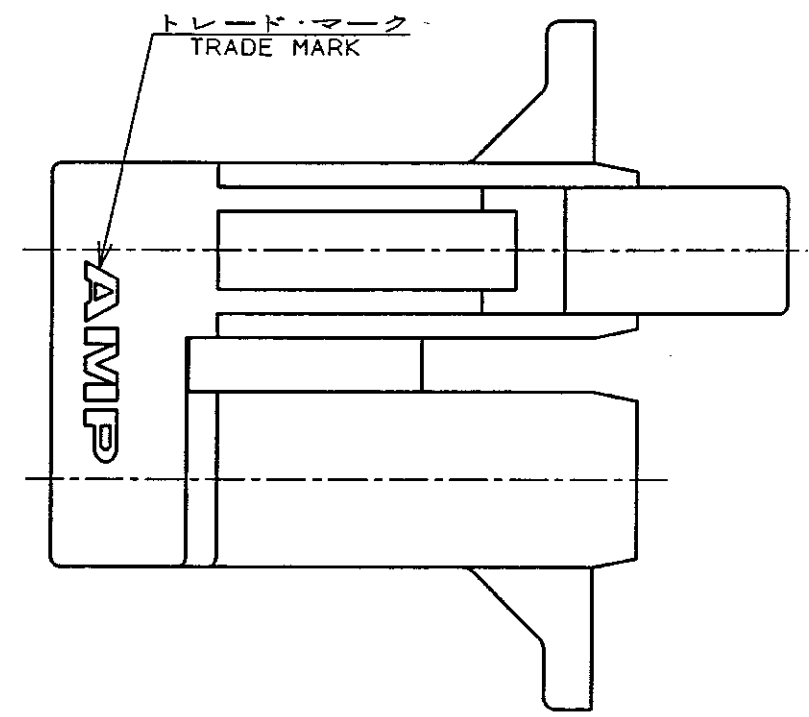
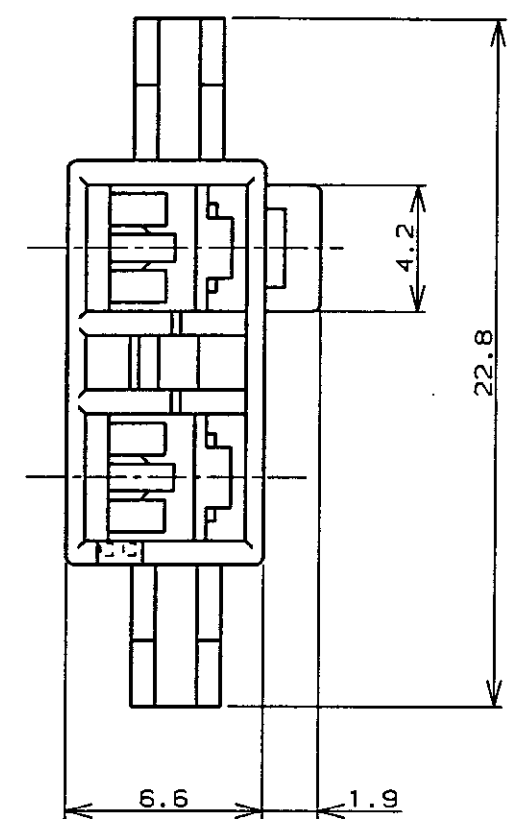
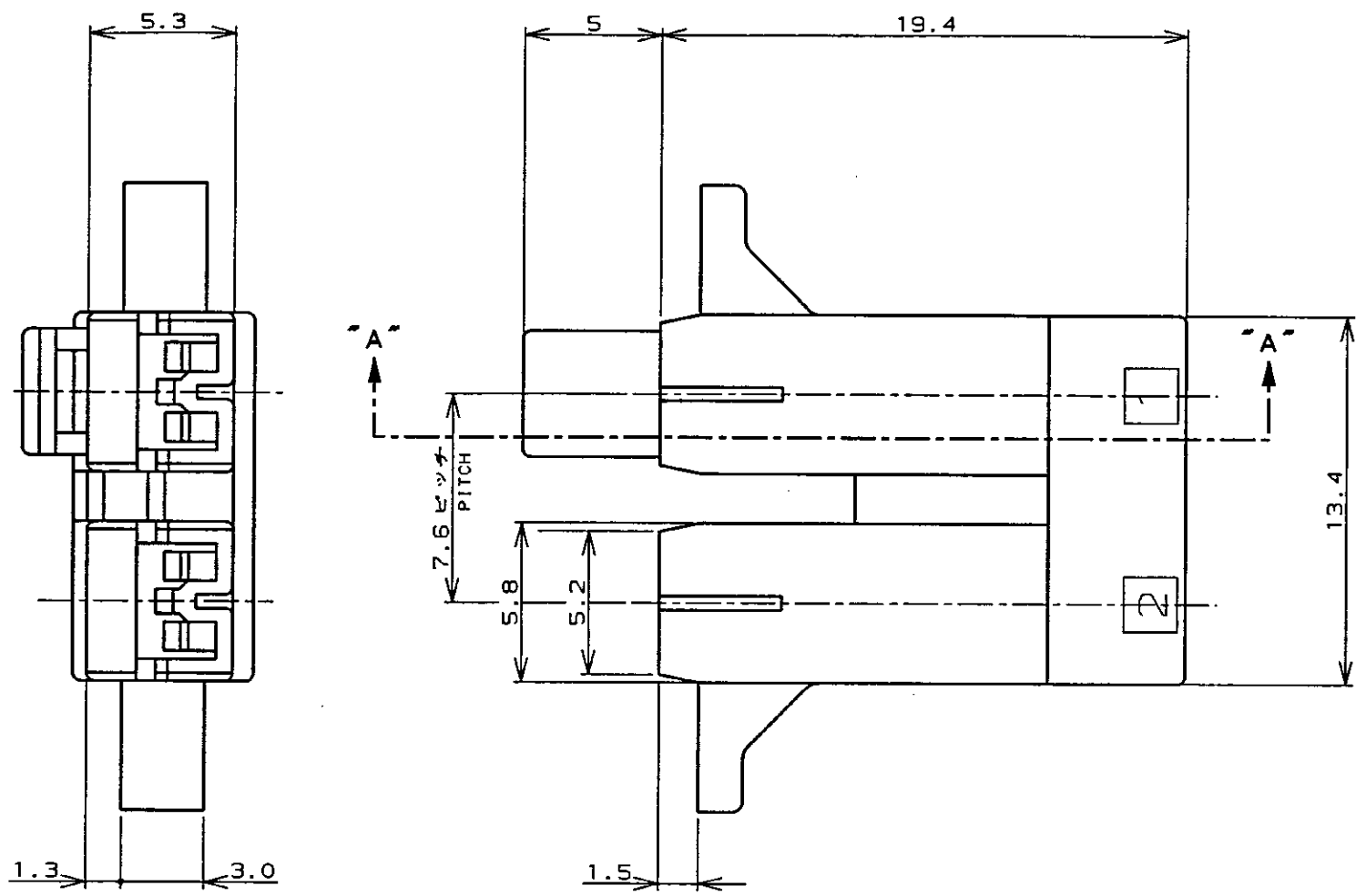


THIS DRAWING IS UNPUBLISHED. RELEASED FOR PUBLICATION .19  
© COPYRIGHT 19 BY AMP INCORPORATED. ALL RIGHTS RESERVED.

LOC		DIST		REVISIONS					
P	LTR	DESCRIPTION	ECN	DATE	OWN	APVD			
	0	RELEASED	FJ00-5195-96	23.AUG.'96	M.S	Y.K			
	A	REVISED	FJ00-5555-96	20 DEC '96	M.S	Y.K			



THIS DRAWING IS A CONTROLLED DOCUMENT FOR AMP INCORPORATED. IT IS SUBJECT TO CHANGE AND THE CONTROLLING ENGINEERING ORGANIZATION SHOULD BE CONTACTED FOR THE LATEST REVISION.		OWN	M. SUZUKI	23.AUG.'96
DIMENSIONS, 単位: 概 mm		CHK	Y. KASHIWA	23.AUG.'96
TOLERANCES UNLESS OTHERWISE SPECIFIED 一般公差 10% : ±0.2 30% : ±0.25 100% : ±0.3 ANGLE : ±0.3°		APVD	H. TAGUCHI	26.AUG.'96
MATERIAL 材料 6/6ナイロン (UL94V-0) 6/6 NYLON		PRODUCT SPEC	108-5530	
FINISH 仕上		APPLICATION SPEC	114-5229	
		WEIGHT		
		WIRE RANGE 包合電線断面積 INSULATION DIA 被覆外径		
		AMP 株式会社 Kawasaki, Japan		
		NAME 名称 110 シリーズ ポジティブ ロック EX-III ダブル ロック タイプ 2極 ハウジング 110 SERIES POSITIVE LOCK EX-III DOUBLE LOCK TYPE 2Pos. HOUSING		
		SIZE	CAGE CODE	DRAWING NO 番号
		A3	00779	©=353253
		CUSTOMER DRAWING		
		SCALE 尺度	SHEET 1 OF 1	REV A
		1:4		