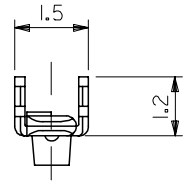
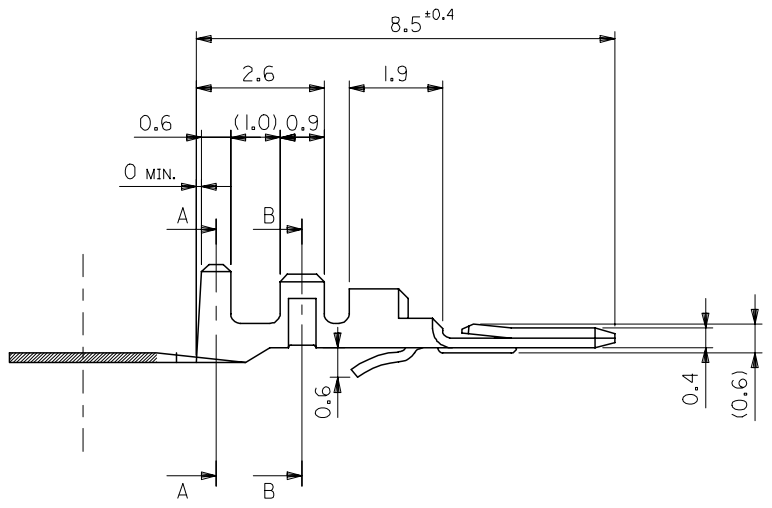


SECT.A-A

SECT.B-B



注記  
NOTES

1. 適合ハウジング : 51006  
APPLICABLE HOUSING : 51006
2. 嵌合相手 : 50013  
MATE WITH : 50013
3. ELV 及び RoHS適合品  
ELV AND RoHS COMPLIANT.

材料 MATERIAL	リン青銅 錫メッキ (t=0.2) PHOS. BRO. PRE-TINNED (t=0.2)
仕上げ FINISH	—
適用電線範囲 WIRE RANGE	AWG#24 ~ #28
被覆外径 INS. RANGE	φ0.9 - φ1.15

REVISED	EC NO: J2008-0075	2007/07/16
DRWN: NABEJ	2007/07/17	
CHKD: THARUYAMA	2007/07/17	
APPR: NUKITA	2007/07/17	
DESCRIPTION		
REV	C	

GENERAL TOLERANCES (UNLESS SPECIFIED)	
10 UNDER	± 0.2
10 OVER 30 UNDER	± 0.25
30 OVER	± 0.3
ANGULAR	± 3 °
DRAFT WHERE APPLICABLE MUST REMAIN WITHIN DIMENSIONS	

DIMENSION STYLE MM ONLY	
DRAWN BY	DATE
T. YASUI	'95/08/21
CHECKED BY	DATE
H. HIRAMOTO	'95/08/22
APPROVED BY	DATE
M. FUKUSHIMA	'95/08/22
MATERIAL NO.	
SEE TABLE	
SIZE	A3

SCALE	10:1
DESIGN UNITS	METRIC
THIRD ANGLE PROJECTION	
TITLE	
2.0 WIRE TO WIRE CONN. CRIMP PIN	
MOLEX INCORPORATED	
DOCUMENT NO.	SD-50012-001
SHEET NO.	1 OF 1

50012-8*00
MODEL NO.

50012-8100	バラ状 LOOSE
50012-8000	連鎖状 CHAIN
MATERIAL NO.	端子形状 FORM