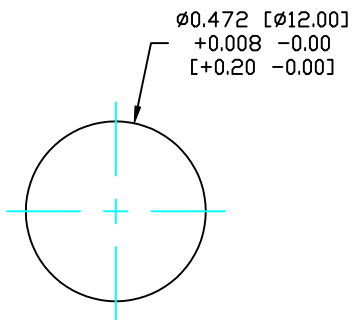


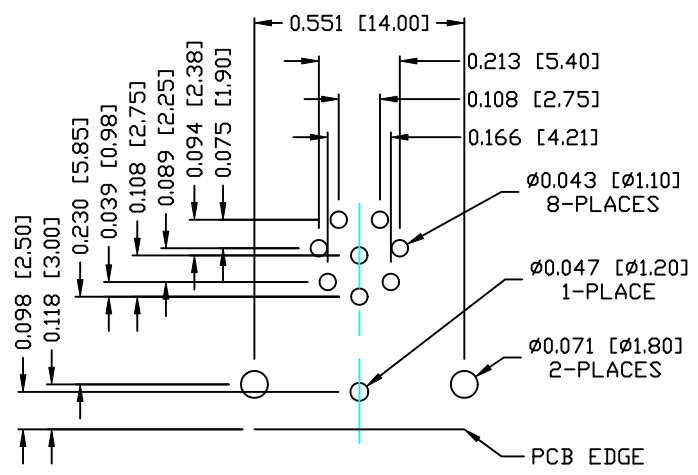
DESCRIPTION: M12 MALE - PANEL MOUNT (REAR) - RIGHT ANGLE - 8 POS.

NOTE:

MATERIAL  
 HOUSING: PBT UL94V-0, BLACK  
 CONTACT: BRASS  
 NUT: BRASS  
 O-RING: NBR, BLACK  
 BACK HOUSING: PBT UL94V-0, BLACK  
 DOWN HOUSING: PBT UL94V-0, BLACK  
 FINISH  
 CONTACT: GOLD PLATED  
 OVER 50µ" NICKEL  
 SHELL: SATIN NICKEL  
 80µ" TO 100µ" OVER ALL  
 ELECTRICAL  
 RATED CURRENT: 3A  
 RATED VOLTAGE: 125V  
 WATER PROOF: IP67  
 ENVIRONMENT  
 OPERATION TEMPERATURE: -40°C TO +85°C



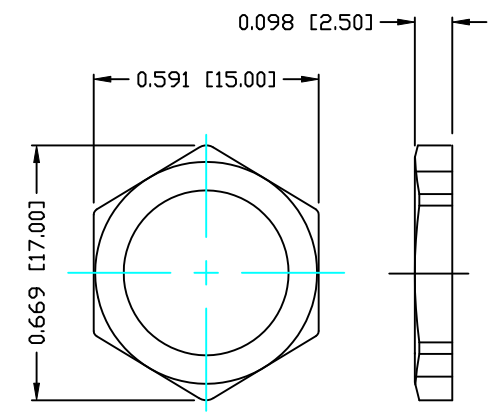
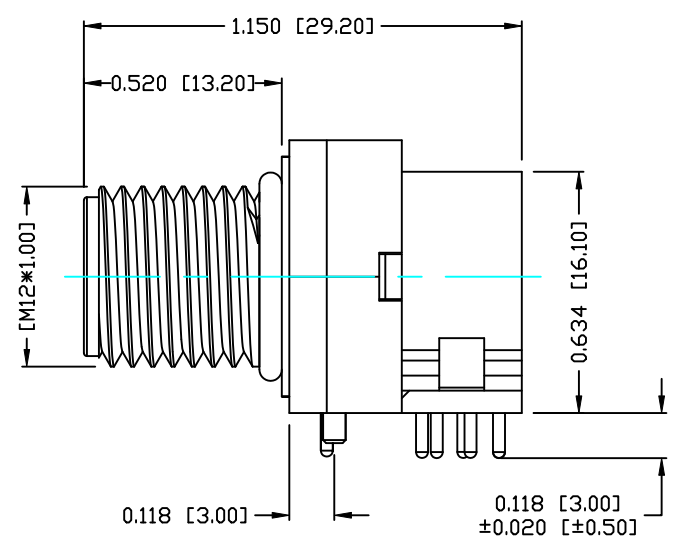
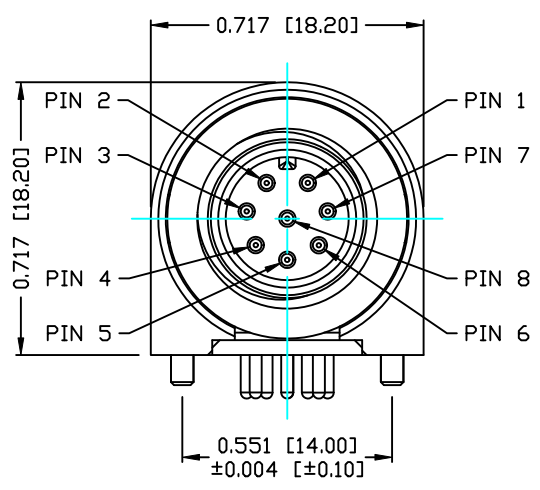
PANEL CUTOUT



PCB LAYOUT

861-008-113R00Y

1 = GOLD FLASH  
 4 = 10µ" GOLD



NUT

RoHS COMPLIANT

DO NOT SCALE FROM DRAWING



THESE DRAWINGS AND SPECIFICATIONS ARE THE PROPERTY OF NorComp AND SHALL NOT BE REPRODUCED, COPIED OR USED AS THE BASIS FOR THE MANUFACTURE OR SALE OF APPARATUS WITHOUT WRITTEN PERMISSION.

DRAWN: M. SIGMON  
 DATE: 03-07-16  
 CHECKED: \_\_\_\_\_  
 DATE: \_\_\_\_\_

NorComp

SCALE: N.T.S.  
 SHEET 1 OF 1  
 REV 0  
 DWG NO. 861-008-113R00Y