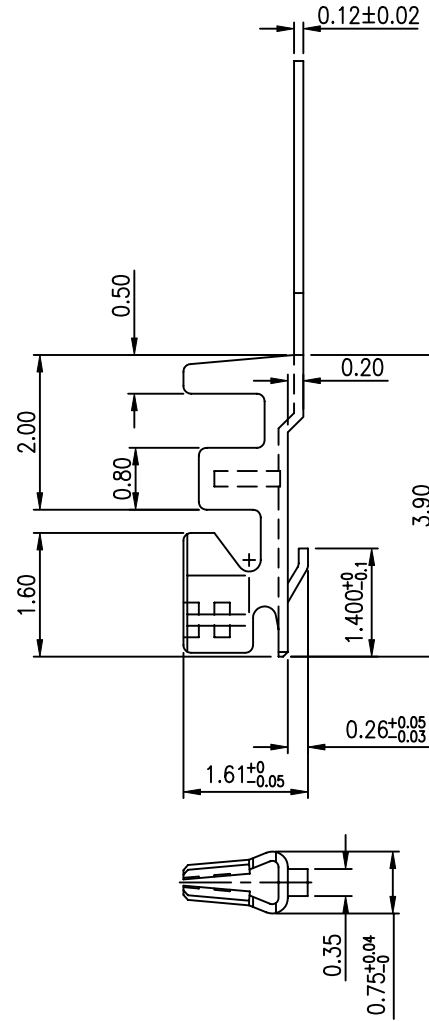
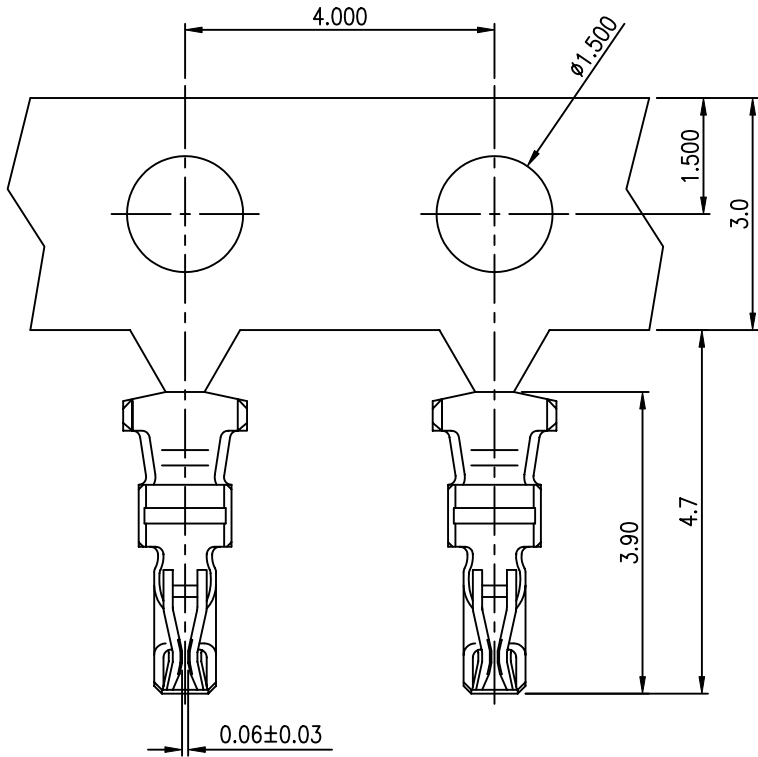




1 | 2

3 |

4



NOTES:

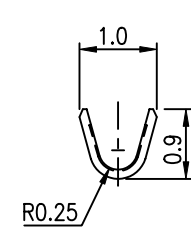
1. MATERIAL REFER TO P/N DESCRIPTION.
2. FINISH:
GOLD FLASH OVER 50u" MIN. NICKEL UNDER-PLATING.
3. PACKAGE PLS. REFER TO GS-14-2154.
4. STRIP CAMBER 10mm MAX. IN 1000mm.
5. MAX. BURR ON THE CONTACT AREA IS 0.03mm AND 0.10mm ON THE OTHER AREA.
6. PART NUMBER DESCRIPTION:
10116784-0 X X

PLATING
1: GOLD FLASH OVERALL

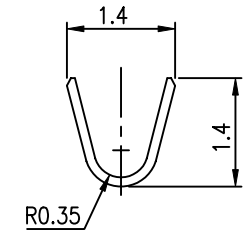
MATERIAL
1: PHOSPHOR BRONZE
(C5191 t=0.12±0.02)

ORDERING INFORMATION FOR USER REFERENCE

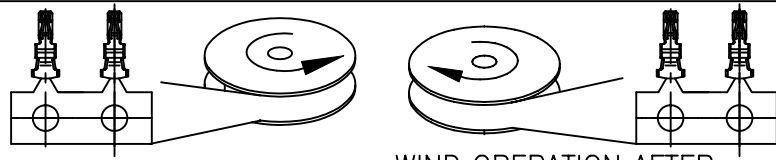
NAME		PART NO.
CABLE CONN.	TERMINAL(AWG 28~32)	10116784-XXX
	HOUSING(WIRE SIDE)	10116783-XXXXXXLF
BOARD CONN.		10116782-XXXXXXLF or 10116785-XXXXXXLF



WIRE BARREL



INSULATION BARREL



WIND OPERATION AFTER STAMPING AND BEFORE PLATING

WIND OPERATION AFTER PLATING AND BEFORE ASSEMBLY

mat'l. code		surface ASME Y14.5	tolerance ASME Y14.5	projection	product family	
ltr		ecn	no dr	date	WTB	
A		WL		05/11/11	title	
tolerances unless otherwise specified					1.0mm W-T-B TERMINAL	
angles		0.1	0.1	0.1	MM [INCH]	
X°±2'		.XX ± 0.15	.XXX ± 0.10	scale	dwg no	
dr		WENDY CHEN	03/22/11	FCI	sheet 1 of 1	
enrg		WENDY CHEN	03/22/11		size	
chr		WENDY CHEN	03/22/11		10116784	A4
appd		GARY HSIEH	03/22/11		type	CUSTOMER Drawing
sheet index	revision sheet	A	1			

A

A

B

B