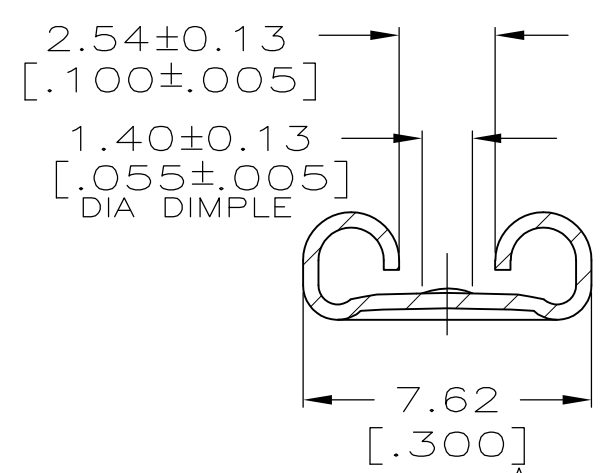
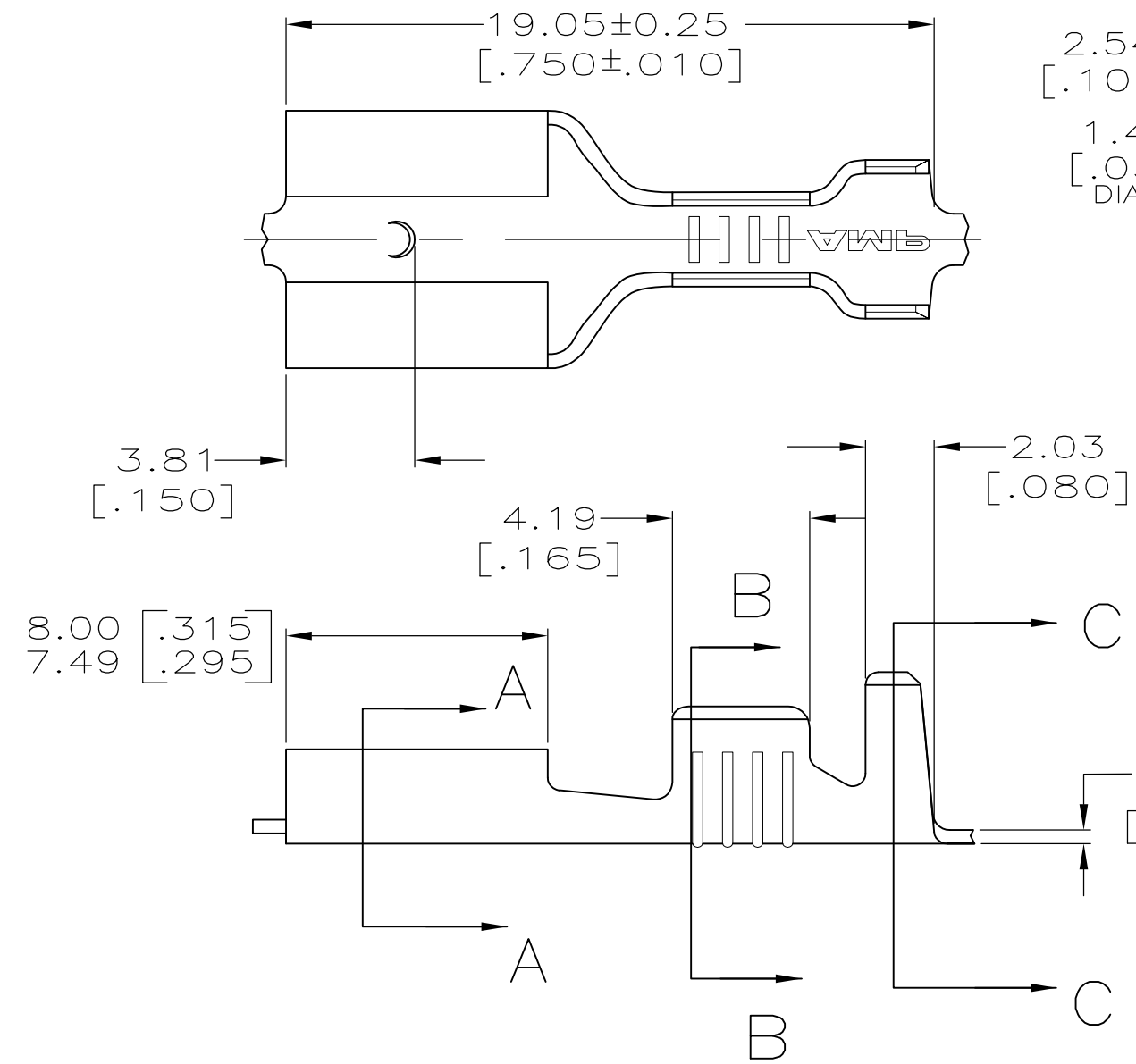


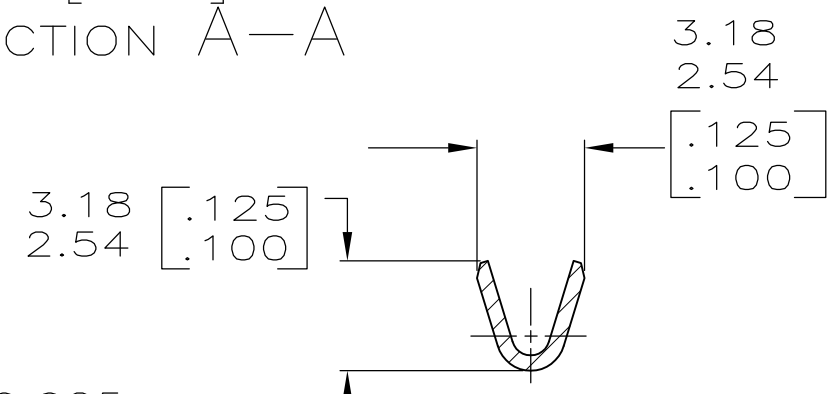
THIS DRAWING IS UNPUBLISHED. RELEASED FOR PUBLICATION
 © COPYRIGHT - By - ALL RIGHTS RESERVED.

LOC	DIST	REVISIONS			
P	LTR	DESCRIPTION	DATE	DWN	APVD
AF	50	F	REVISED PER ECR-12-013459	27NOV2012	KH PD

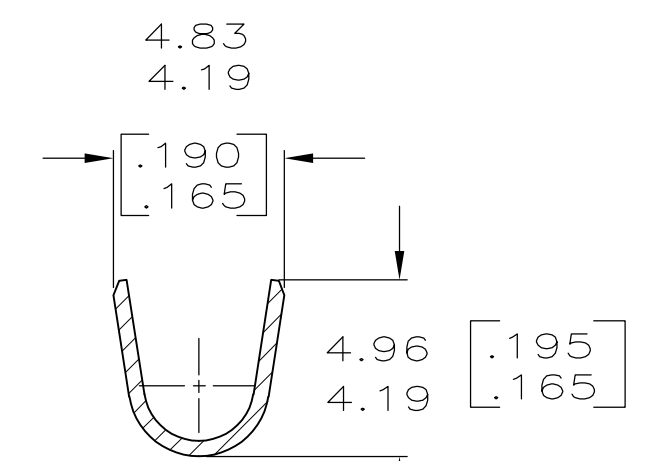
- CONTINUOUS STRIP ON REELS.
- MATING TAB THK TO BE 0.813 ± 0.025 [$.032 \pm .001$].
- ACCEPTS WIRE SIZES [#22-#18] AWG.
- INSULATION RANGE TO BE 2.29-3.30 [$.090-.130$] DIA.



SECTION A-A




SECTION B-B



SECTION C-C

63127-1
PART NO

THIS DRAWING IS A CONTROLLED DOCUMENT.		DWN	JR RUTH	1/26/96	 TE Connectivity NAME RECEPTACLE, FASTON, 6.35 [.250] SERIES
DIMENSIONS: mm [INCHES]		CHK	MS FEHER	1/26/96	
TOLERANCES UNLESS OTHERWISE SPECIFIED:		APVD	J HUZVAR	1/26/96	
0 PLC ± - 1 PLC ± - 2 PLC ± 0.38 [.015] 3 PLC ± - 4 PLC ± - ANGLES ± -		PRODUCT SPEC	-	-	
MATERIAL	BRASS	FINISH	-	-	SIZE A3
CUSTOMER DRAWING		WEIGHT	-	-	CAGE CODE 00779
		DRAWING NO		C-63127	RESTRICTED TO -
		SCALE	5:1	SHEET	1 OF 1
		REV	F		