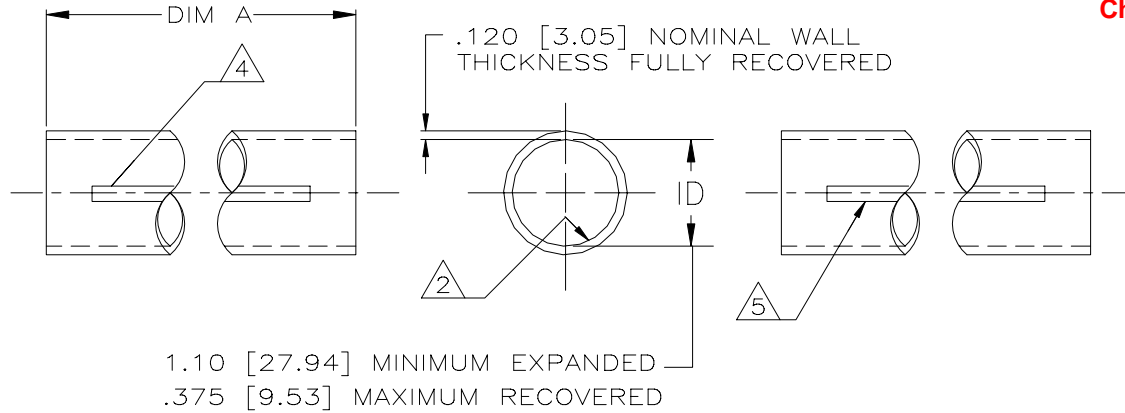


| REVISIONS | | | |
|-----------|---|-----------|----------|
| LTR | DESCRIPTION | DATE | APPROVED |
| G | REVISED PER EC 0G1Z-0020-99 | 31-AUG-00 | |
| H | REVISED PER DCR R030111 - COLOR STRIPE CHANGE | 30-APR-03 | JKUSTER |

**If this document is printed it becomes uncontrolled.
Check for the latest revision.**



NOTES:

1. MATERIAL: BLACK POLYOLEFIN, COMPLIES WITH MIL-23053/15-102-0.
2. SEALANT THROUGHOUT TOTAL LENGTH OF INSIDE DIAMETER.
3. DIMENSIONS APPLY WITHOUT SEALANT.
4. PRODUCT IS MARKED "AMP MIL-23053/15-102-0 90°C 600V MAXIMUM" IN WHITE CHARACTERS ON SURFACE INDICATED.
5. PRODUCT IS MARKED "AMP 608506 1.10-.38"/28-9.5mm 1/0-3/0 AWG", WITH DATE CODE, IN WHITE CHARACTERS ON SURFACE INDICATED.

| | |
|-----------------------------|----------|
| 11.75-12.25 [298.5-311.2] | 608506-6 |
| 48.00-49.00 [1219.2-1244.6] | 608506-5 |
| DIMENSION A (LENGTH) | PART NO |

SPECIFICATION CONTROL DRAWING

| | | | | |
|--|------------------------|-----------------|----------|---|
| UNLESS OTHERWISE SPECIFIED DIMENSIONS ARE IN INCHES. METRIC DIMENSIONS ARE IN BRACKETS. DECIMALS .XXX ± [mm] .XX ± [mm] ANGLES .X ± WEIGHT lbs [g] | DRAWN | MFORONDA | 03/04/03 | <small>RAYCHEM PRODUCTS 305 CONSTITUTION DRIVE MENLO PARK, CALIFORNIA 94025</small> |
| | CHECKED | | | |
| | APPROVED | JKUSTER | 03/04/03 | |
| | APPROVED | | | |
| | CAD NAME | R0300111 | | TITLE |
| | THIRD ANGLE PROJECTION | | | TUBING, HEAT SHRINK AMPSULATION, MHWP31, 1.10 DIA. |
| | SIZE | CODE IDENT. NO. | DWG. NO. | REV |
| | B | 06090 | C-608506 | H |
| DO NOT SCALE THIS DRAWING | | | | SHEET 1 OF 1 |