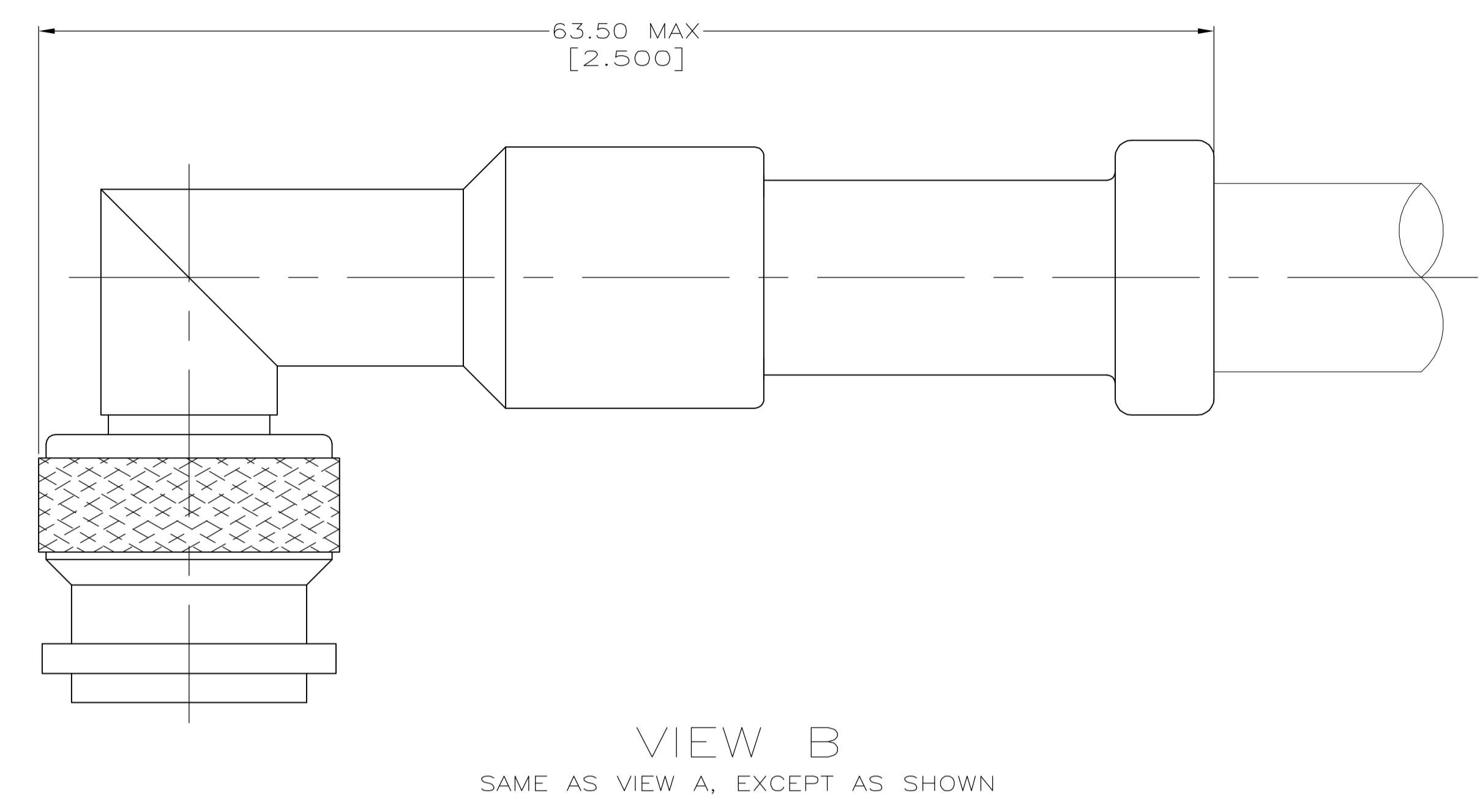
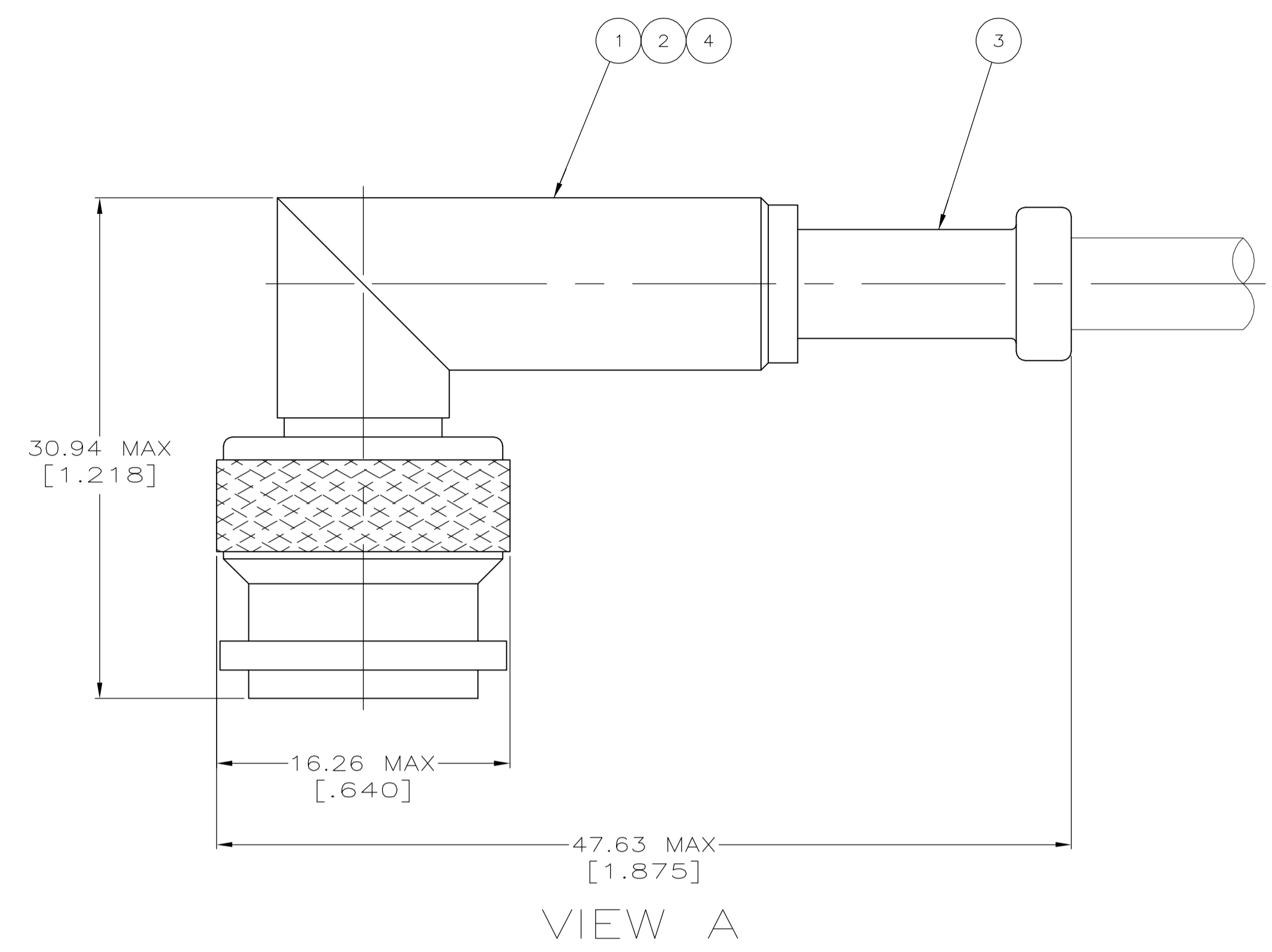
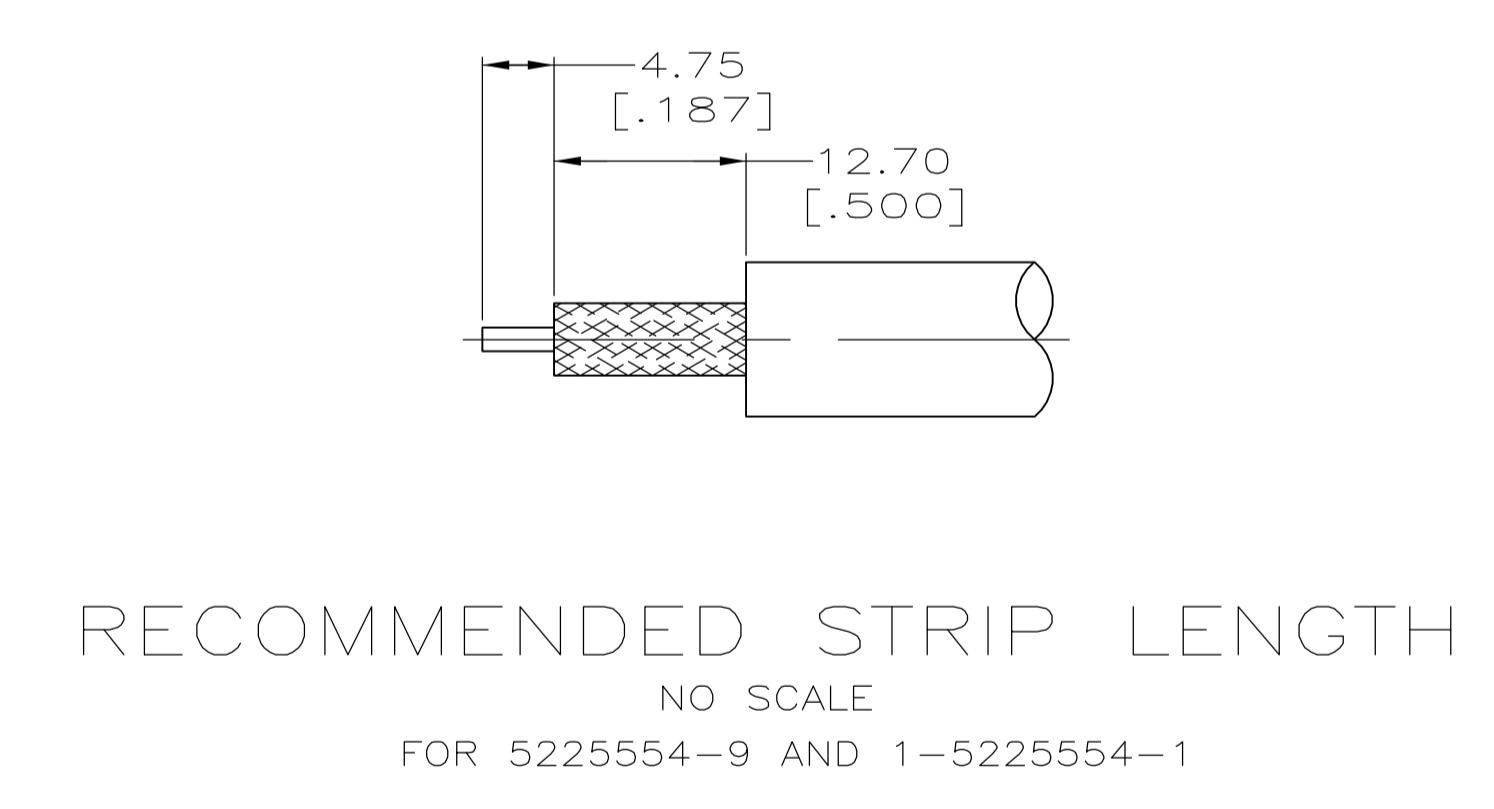
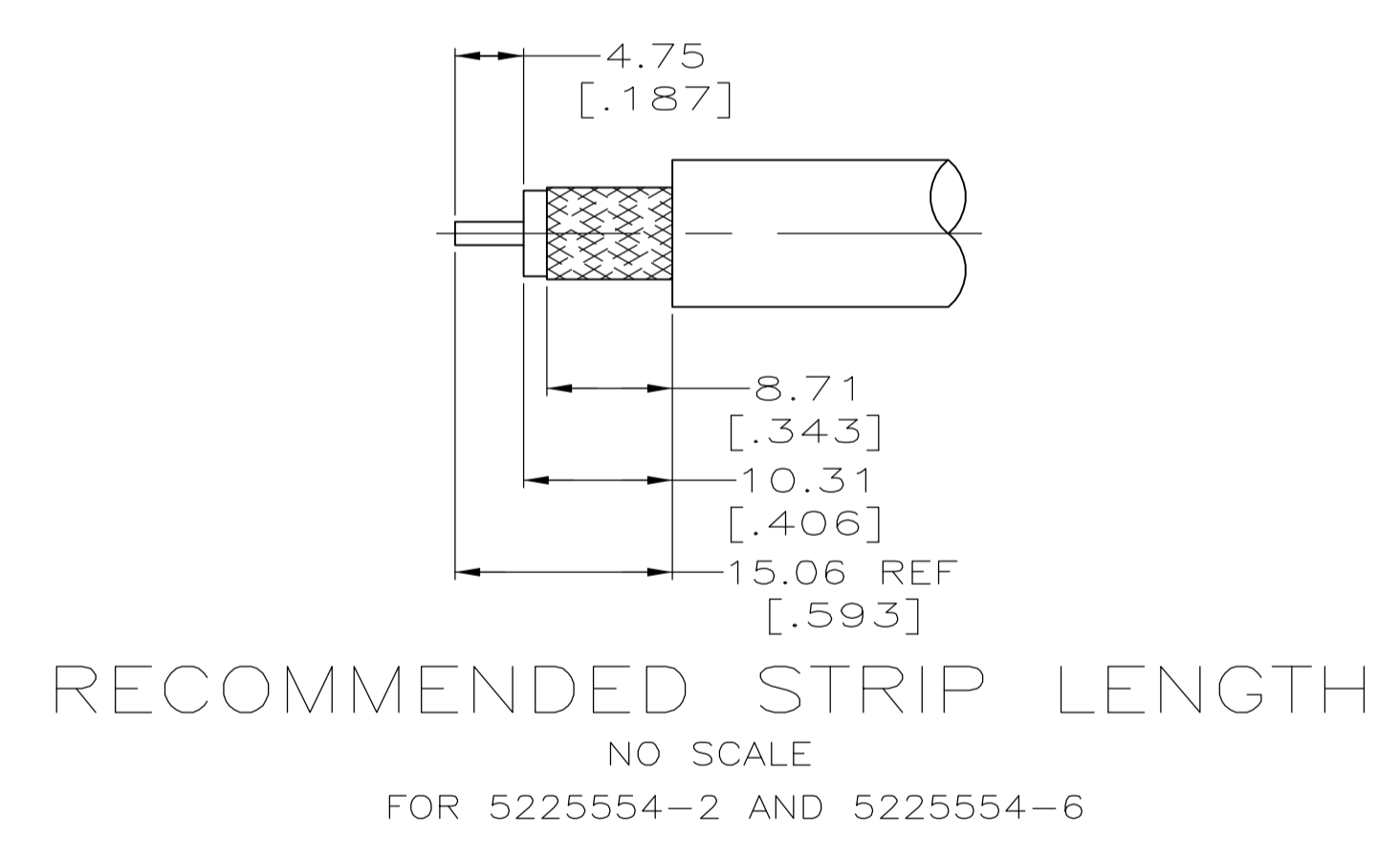


1. USE INSTRUCTION SHEET 408-2299-5.



VIEW B
 SAME AS VIEW A, EXCEPT AS SHOWN



RG-393/U	220015-1	332022	9-225490-1	225471-7	9-225518-0	B	1-5225554-1
RG-9/U, 9A/U & 214/U	220015-1	332022	9-331987-3	225599-1	9-225518-0	B	5225554-9
RG-142/U, 142A/U, 142B/U	220045-2	-	9-225560-4	225471-3	9-225518-2	A	5225554-6
RG-58A/U, 58C/U	220045-2	-	9-225560-5	225471-1	9-225518-1	A	5225554-2
CABLE	CRIMP TOOL	④ SEAL QTY=1	③ FERRULE QTY=1	② CONTACT QTY=1	① PLUG ASSEMBLY QTY=1	VIEW	PART NUMBER

THIS DRAWING IS A CONTROLLED DOCUMENT.

DIMENSIONS: mm [INCHES]	TOLERANCES UNLESS OTHERWISE SPECIFIED:	DIN A FERNANDEZ-DUCKS	18APR2005	Tyco Electronics Corporation Harrisburg, PA 17105-3608
0 PLC ± -	1 PLC ± -	CHK J. HAVENER	18APR2005	
2 PLC ± 0.41 [016]	3 PLC ± -	APVD J. LIPPERT	18APR2005	NAME
4 PLC ± -	ANGLES ± -	PRODUCT SPEC	108-12001	PLUG, RIGHT ANGLE, WEATHERPROOF, TNC
MATERIAL	FINISH	APPLICATION SPEC		
		SIZE	A1	RESTRICTED TO
		WEIGHT	00779	SCALE 4:1
		CUSTOMER DRAWING	5225554	SHEET 1 OF 1