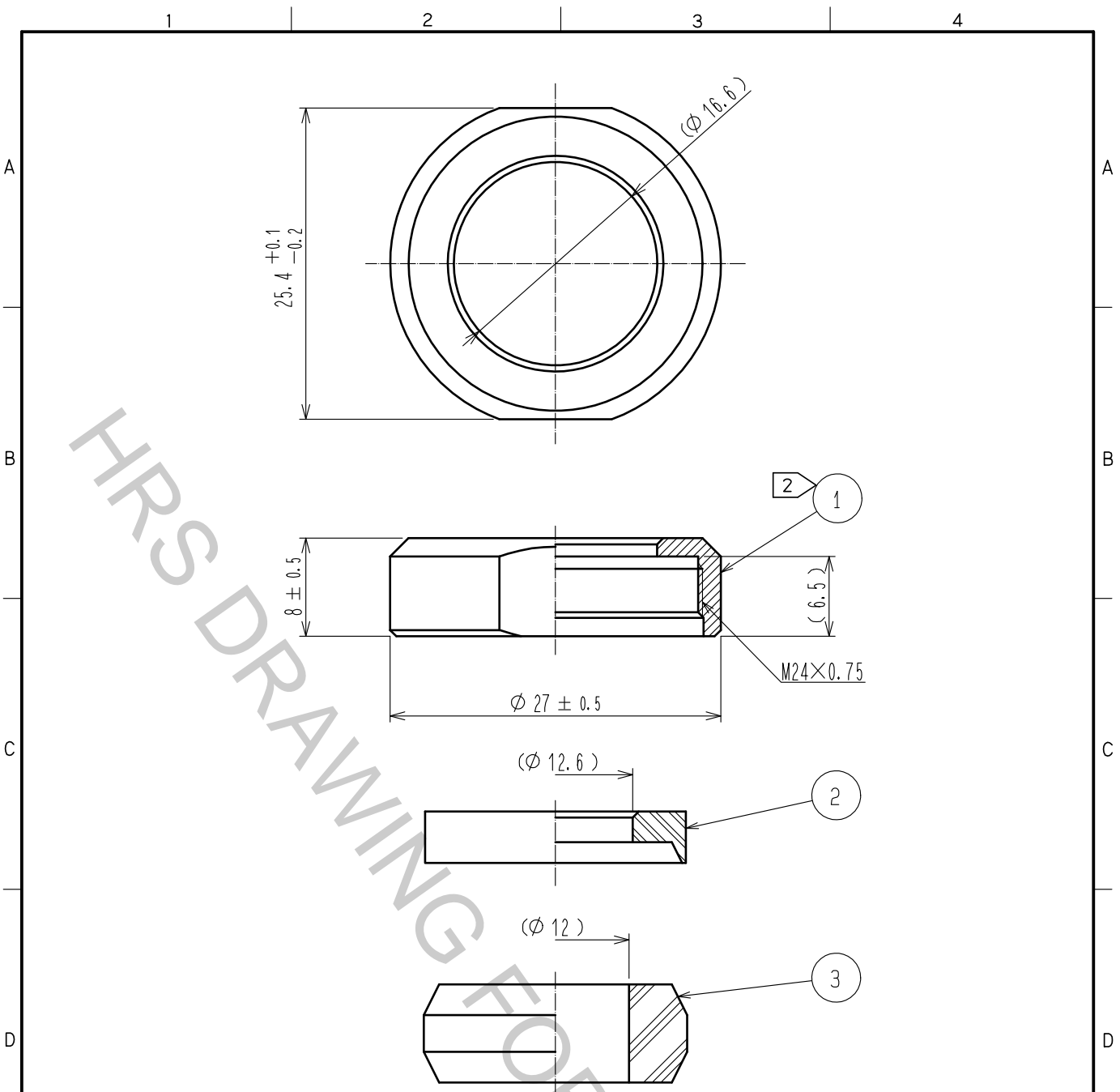


Aug.1.2018 Copyright 2018 HIROSE ELECTRIC CO., LTD. All Rights Reserved.
 In case that the application demands a high level of reliability, such as automotive,
 please contact a company representative for further information.



- Notes
- This product is delivered disassembled.
 - The recommended clamp torque of ref. No. ① : 4 to 4.5 N·m.
 LOCTITE 263, HENKEL JAPAN or equivalent is recommended to prevent
 ref. No. ① from loosening.
 - The cable pull and twisting strength, waterproof tightness and other characteristics
 may differ, depending on the cable structure. Please confirm before the use.

2	PPS	(Black) UL94V-0					
1	Brass	Black chrome plating	3	Acrylonitrile butadiene rubber	(Gray)		
NO.	MATERIAL	FINISH . REMARKS	NO.	MATERIAL	FINISH . REMARKS		
UNITS mm		SCALE 2 : 1	COUNT 	DESCRIPTION OF REVISIONS		DESIGNED	CHECKED
HIROSE ELECTRIC CO., LTD.		APPROVED :HY. KOBAYASHI	18.02.26	DRAWING NO.		EDC-110627-31-00	
		CHECKED :HY. KOBAYASHI	18.02.26	PART NO.		JR21WCCA-12(31)	
		DESIGNED :TH. KAMEYA	18.02.24	CODE NO.		CL114-2084-2-31	
		DRAWN :MK. INOUE	18.02.14				