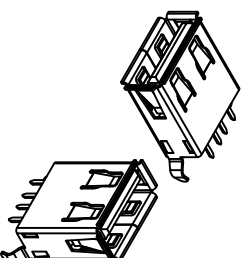
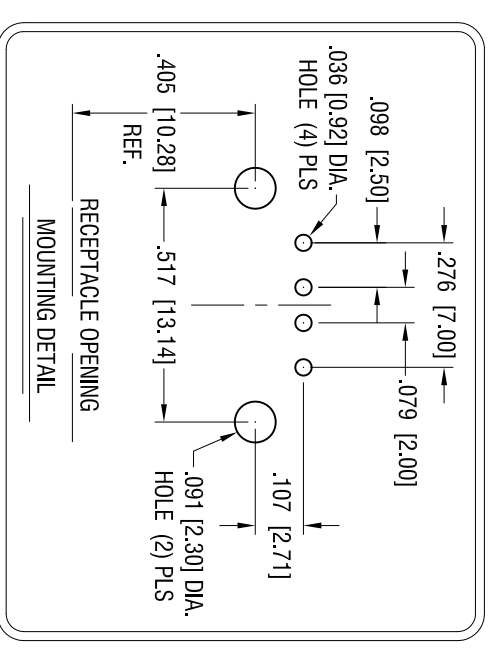
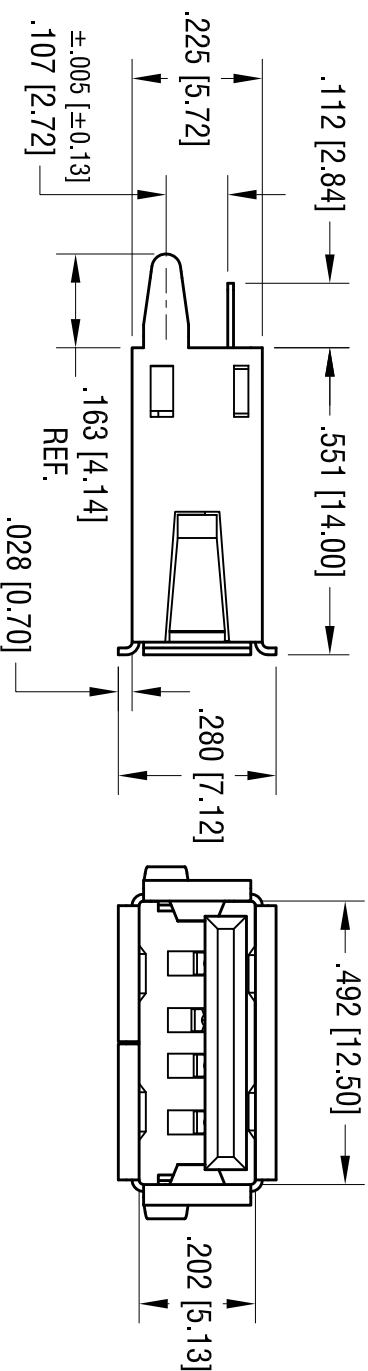
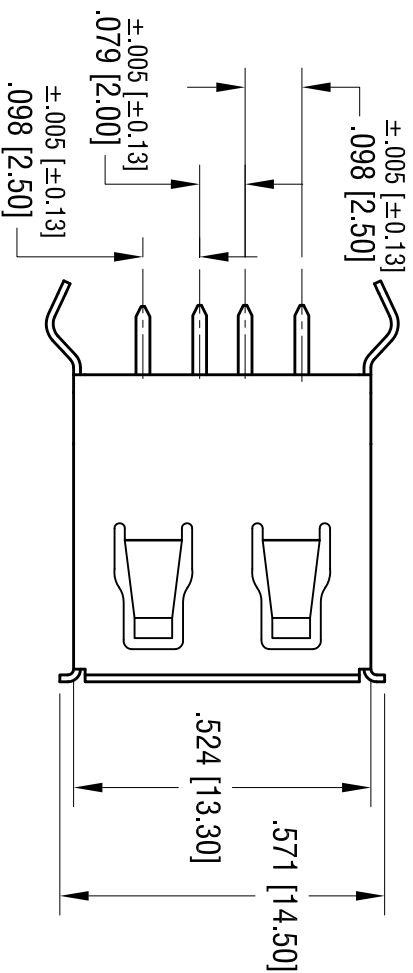


DATE	DESCRIPTION	REV.
3.23.04	CHANGE AS PER ECN 04-018	C
12.6.04	CHANGE AS PER ECN 04-167	D
6.8.05	CHANGE AS PER ECN 05-033	E
12.16.09	CHANGE AS PER ECN 09-189	F
2.19.16	CHANGE AS PER ECN 16-030	G



ACTUAL SIZE

THIS DOCUMENT IS THE PROPERTY OF KEYSTONE ELECTRONICS CORP. AND SHALL NOT BE REPRODUCED, DISTRIBUTED OR USED AS A BASIS FOR MANUFACTURE WITHOUT PRIOR WRITTEN PERMISSION FROM KEYSTONE ELECTRONICS CORP.

Notes:
Material:
 Shell: Mat'l- Phosphor Bronze
 Finish: Tin plate, over Nickel Plate
 Insulator: Glass Filled LCP
 Contacts: Phosphor Bronze
Finish:
 Contact Area: Gold Plate over Nickel Plate
 on Solder Tail: Tin Plate over Nickel Plate

Electrical Specifications
 Rated Voltage: 30V AC (rms)
 Contact Current Rating: 1 A Max.
 Contact Resistance: 30 milliohms Max.
 Dielectric Withstanding: 750V AC
 Operating Temperature: -55°C to 85°C

KEYSTONE ELECTRONICS CORP.

www.keystone.com • ASTORIA, N.Y. 11105-2017 • Tel (718) 956-8900

PART NAME

USB A-TYPE VERTICAL SOCKET

MATERIAL

AS NOTED

FINISH

AS NOTED

TOLERANCES	INCH	[MM]	CODE	DWG NO.
DECIMAL	± .010	[± 0.25]	C	
ANGULAR	± 1°			

DRN BY: BOONE DATE: 6.18.98

APP'D: LN SCALE: 3X

923