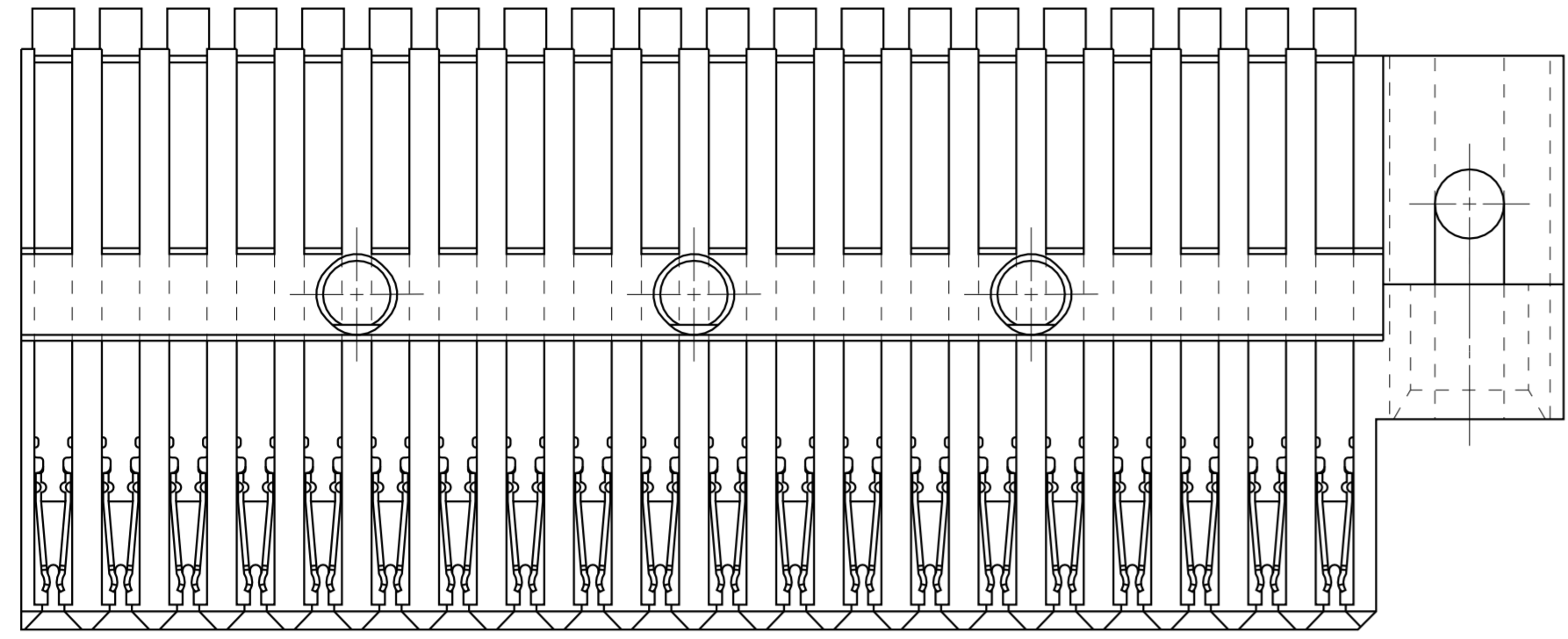
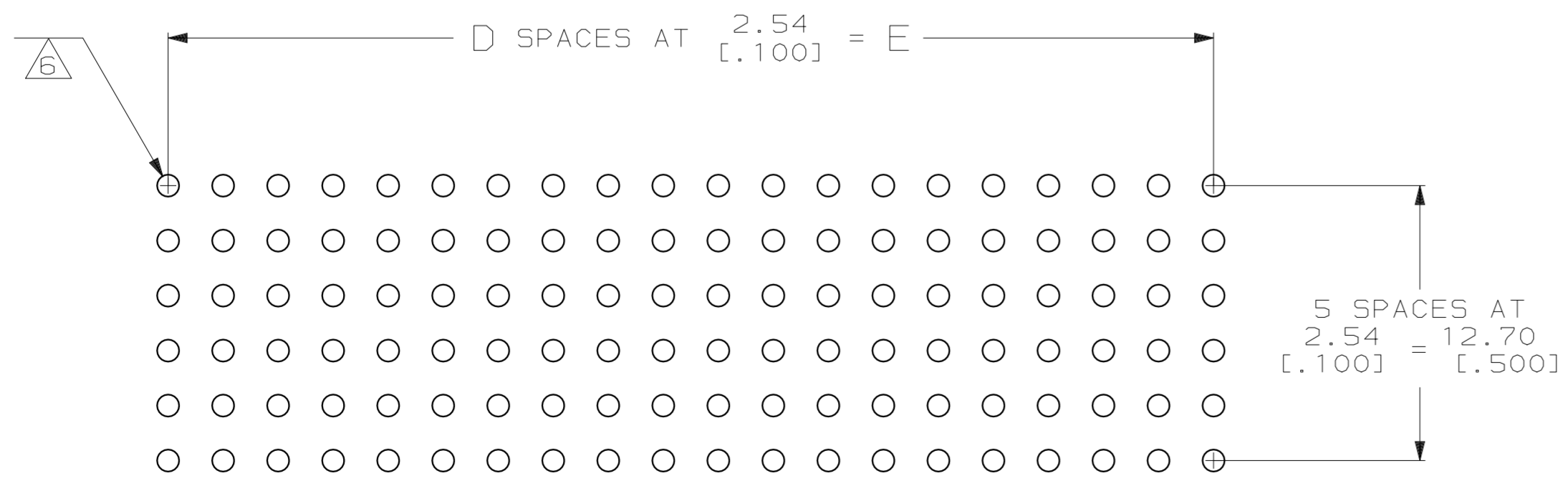
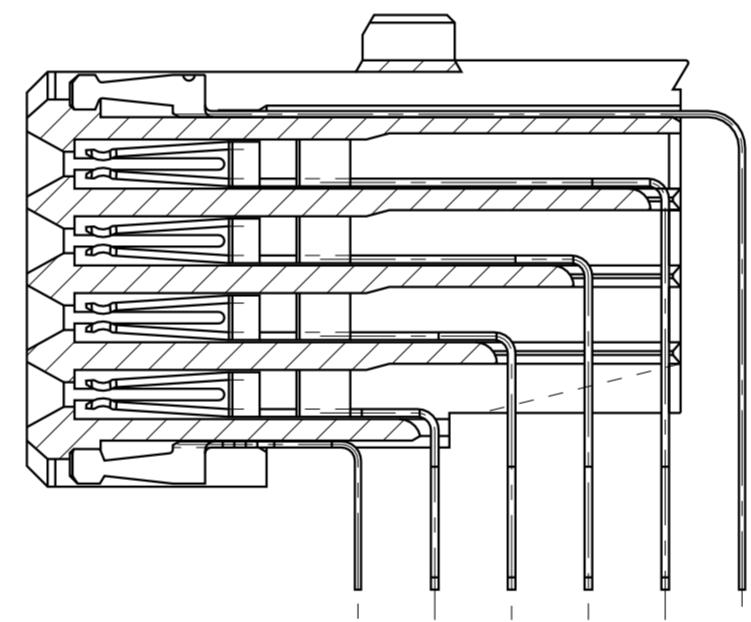
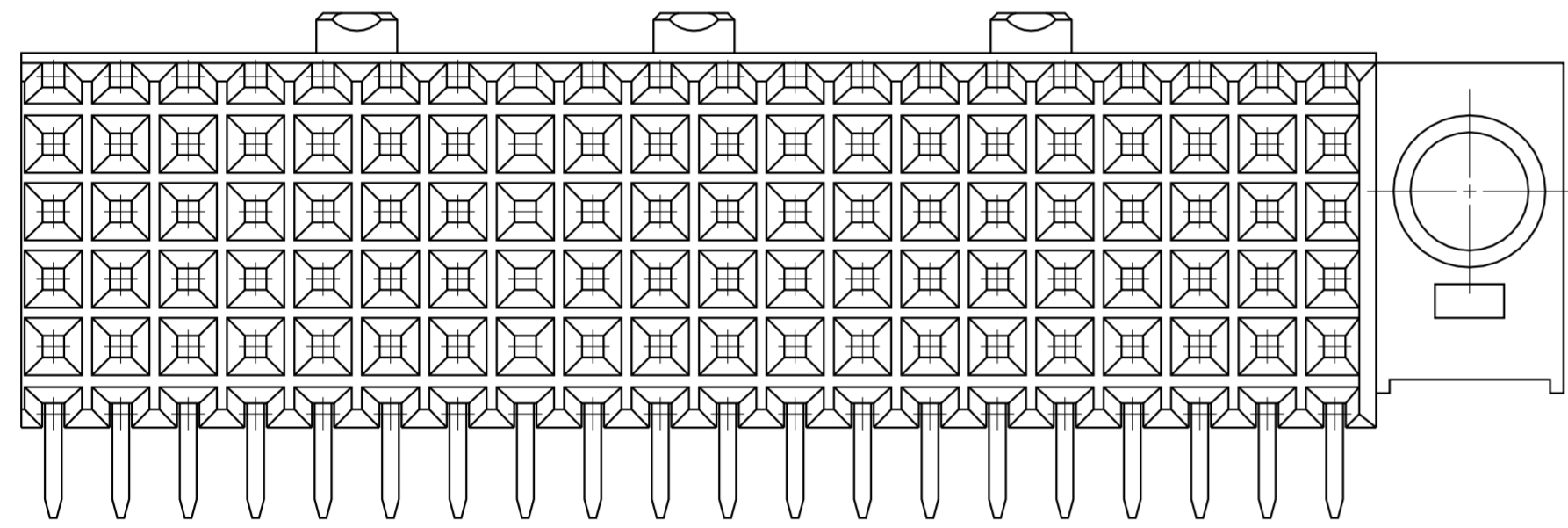


LOC		DIST		REVISIONS				
AD	25	P	F	ZONE	LTR	DESCRIPTION	DATE	APPD
				A		ECN AD4962	-	-



- ① HOUSING MATERIAL: GLASS FILLED POLYESTER, COLOR: BLACK.
- ② CONTACT MATERIAL: PHOSPHOR BRONZE.
- ③ CONTACT FINISH: 0.00127 [.000050] NICKEL UNDERPLATE ALL OVER. 0.00076 [.000030] GOLD PLATE IN CONTACT AREAS. TIN PLATE ON TAILS.
- ④ CONTACT FINISH: 0.00127 [.000050] NICKEL UNDERPLATE ALL OVER. 0.00076 [.000030] GOLD IN CONTACT AREAS AND LOWER 5.08 [.200] OF POSTS. GOLD FLASH ON REMAINDER.



RECOMMENDED P.C BOARD LAYOUT



DO NOT SCALE PRINT. UNLESS SPECIFIED DIMENSIONS IN mm [INCHES]		DR 12/26/90 R. RINEHART/UTA		AMP Incorporated Harrisburg, PA 17105-3608	
TOLERANCES: ON; 2 PLC DEC ± 0.12 [.005] 3 PLC DEC ± - ANGLES ± -		CHK 12/26/90 R. RINEHART			
MATERIAL		APPD 12/26/90 R. RINEHART		NAME TBC PLUS RECEPTACLE ASSEMBLY, MODULAR CENTER MODULE FULLY LOADED	
①②		APPD 12/26/90 R. RINEHART			
FINISH SEE TABLE		PRODUCT SPEC -		DRAWING NO 650370	
APPLICATION SPEC -		WEIGHT -		SCALE 4:1	
				SHEET 1 OF 1	