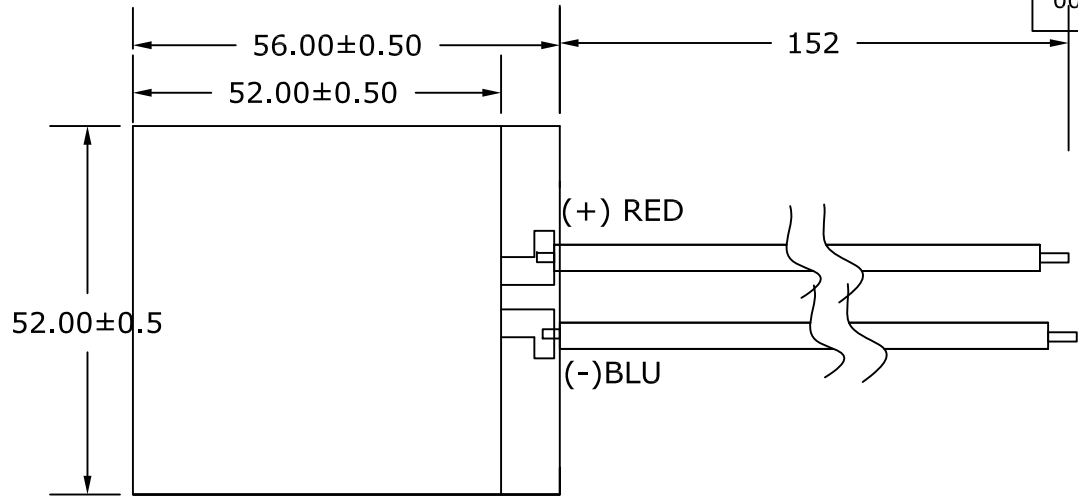
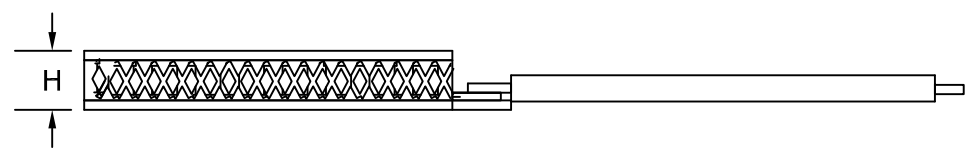


REV	BY	DATE	ECN/ERO	DESCRIPTION
00	Jinlong	09/16/17	-	PRODUCTION RELEASE



NOTES:


- ① Wire are UL1213 AWG20,19/32 TEFLON, STRANDS.
- ② Lapped both side, height is 3.300±0.025mm, flatness and parallel is 0.025mm.
- ③ Sealed with RTV
- ④ ACR: 1.693 - 1.882 - 2.070 ohms(23°C)



Ceramic Material: Alumina(Al₂O₃)
Solder Construction: 232°C SbSn

REFERENCE ONLY!	
Nominal Specs (@25°C)	
I_{max} (A)	15.4
U_{max} (V)	32.7
Q_{max} (W)	294.6
ΔT_{max} (°C)	67

NOTE:
ALL DIMENSIONS = mm

		P/N	387001828	DESCRIPTION	ET15,288,F2,5252,TA,RT,W6
		TITLE			
4707 DETROIT AVE CLEVELAND, OHIO 44102 PH. (216) 939-2300 FAX (216) 939-2310		NAME	Jinlong	DATE	09/16/17
SURFACE FINISH 3.2 √μm 125 √μin (UNLESS OTHERWISE SPECIFIED) BREAK ALL EDGES; 0.015 [0.40mm] x 45°		DRAWN BY	Jinlong		
		INITIATED BY			
		APPROVAL			
DWG NO			387001828	REV	00