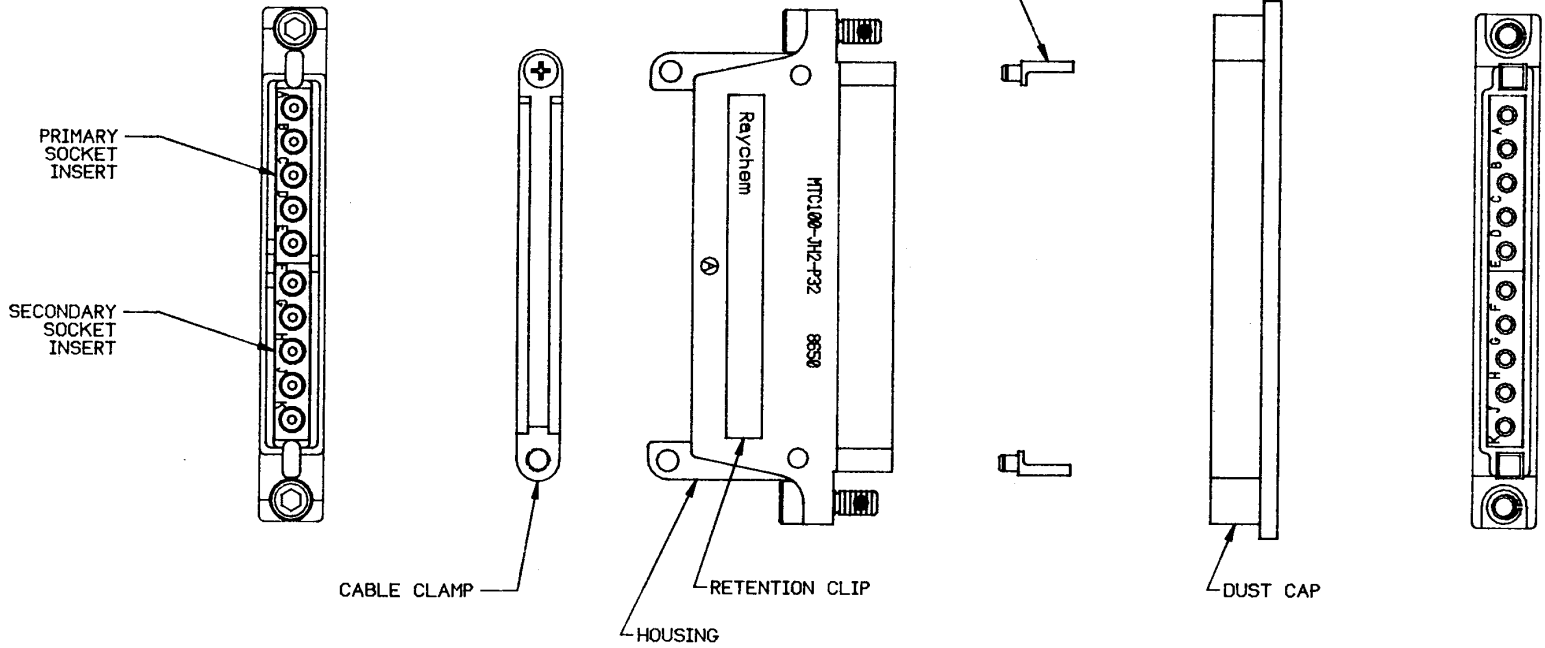


NOTES:

1. THIS KIT CONSISTS OF:
 - a) MTC100-JH2-P32 HOUSING ASSEMBLY
 - b) MTCP-116-05S1 PRIMARY SOCKET INSERT
 - c) MTCP-116-05S2 SECONDARY SOCKET INSERT
 THE INSERTS ARE PRE-ASSEMBLED INTO THE HOUSING.
2. FOR FURTHER DETAILS REFER TO THE APPLICABLE RAYCHEM SPECIFICATION CONTROL DRAWING. (SEE NOTE 1)
3. REFER TO RAYCHEM INFORMATION DRAWING D-659-0097 FOR APPLICATION DETAILS.
4. KIT NUMBER MTCP-KT2-0001 APPEARS ONLY ON THE UNIT PACKAGE.

REVISIONS			
LTR	DESCRIPTION	DATE	APPROVED
A	REDRAWN AND REVISED ON PERSONAL DESIGNER PER EDN #T-85502	4/1/88	J.B.



SPECIFICATION CONTROL DRAWING © Raychem Corporation 1988

UNLESS OTHERWISE SPECIFIED DIMENSIONS ARE IN INCHES. METRIC DIMENSIONS ARE IN BRACKETS. DECIMALS .XXX ± (mm) .XX ± (mm) ANGLES .X ±	DRAW LUTTICKEN 88JAN07	Raychem RAYCHEM CORPORATION 3900 CONSTITUTION DRIVE REDLAND PARK, CALIFORNIA 94025
	CHECKED J.B.	
	APPROVED J.BLAIR 88JAN13	
	APPROVED J. J. MEIN 88JAN20	
WEIGHT: MAXIMUM .0907 lbs. [41.14 grams.]	CAD NAME MTCP/KT20001S	TITLE KIT, PLUG, 2", POWER BLOCK CADMIUM PLATED, W/SOCKET INSERT MTCP SERIES
THIRD ANGLE PROJECTION		SIZE C 06090
		DWG. NO. MTCP-KT2-0001
		REV A
		DO NOT SCALE THIS DRAWING
		SHEET 1 OF 1

If this document is printed it becomes uncontrolled.
Check with the web for latest revision.