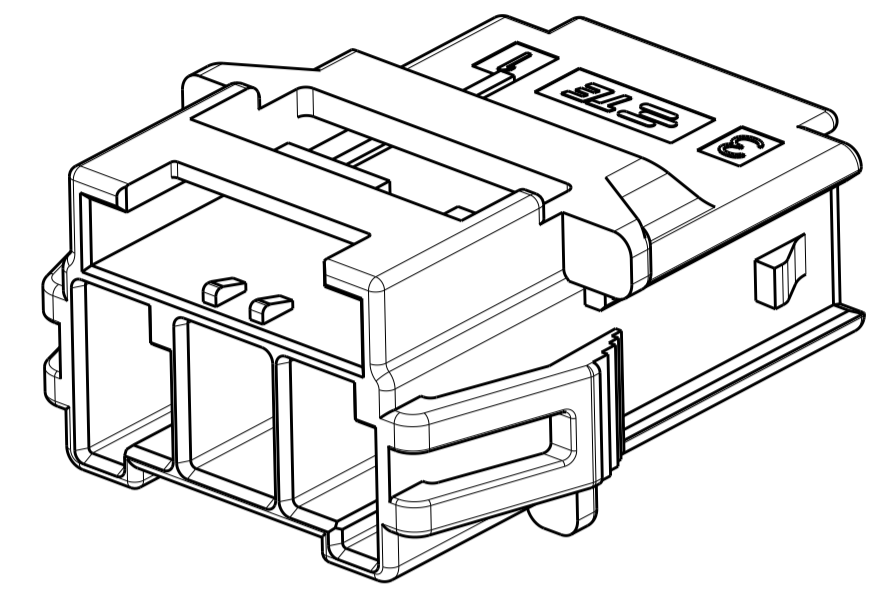
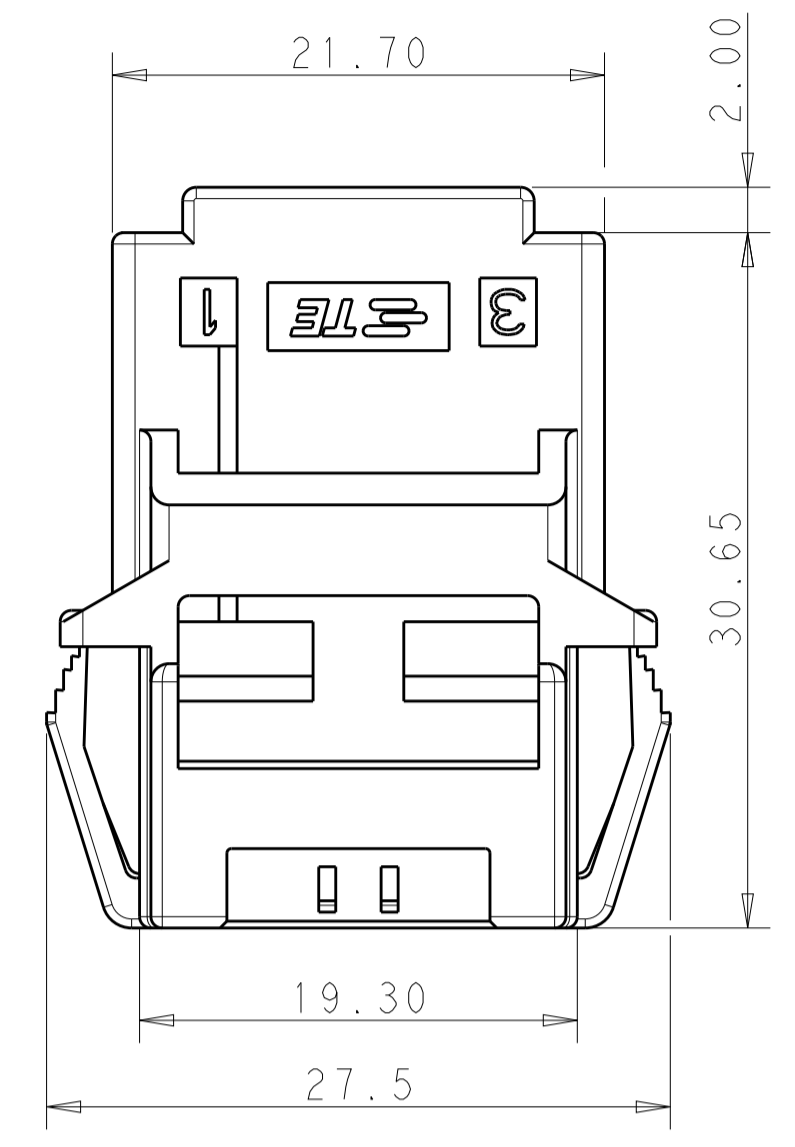
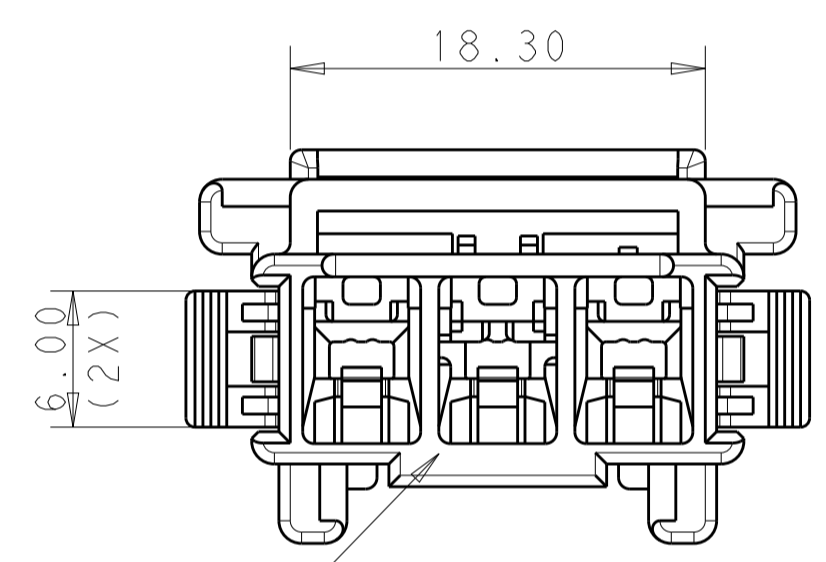
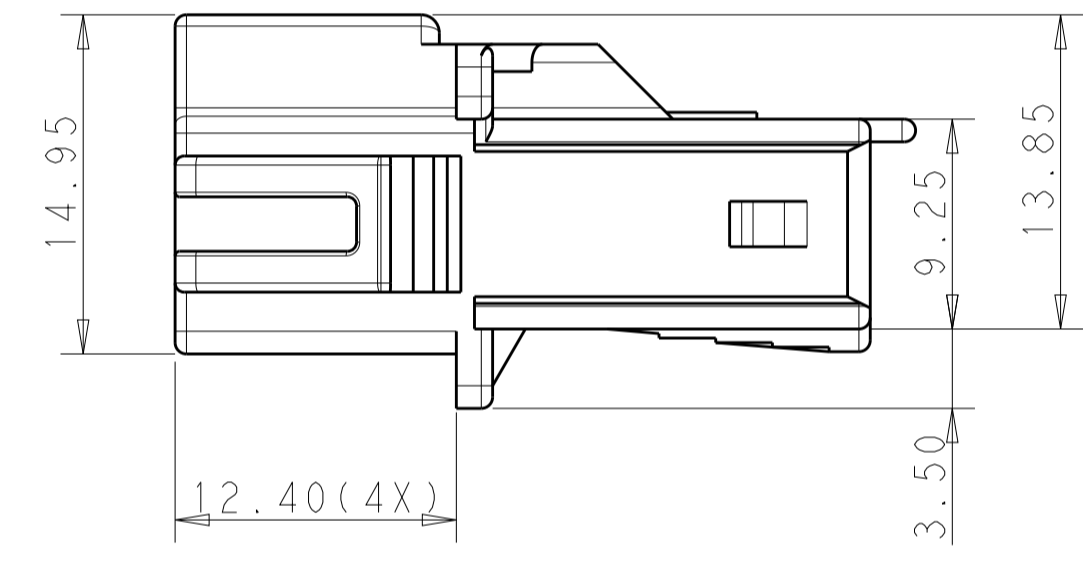
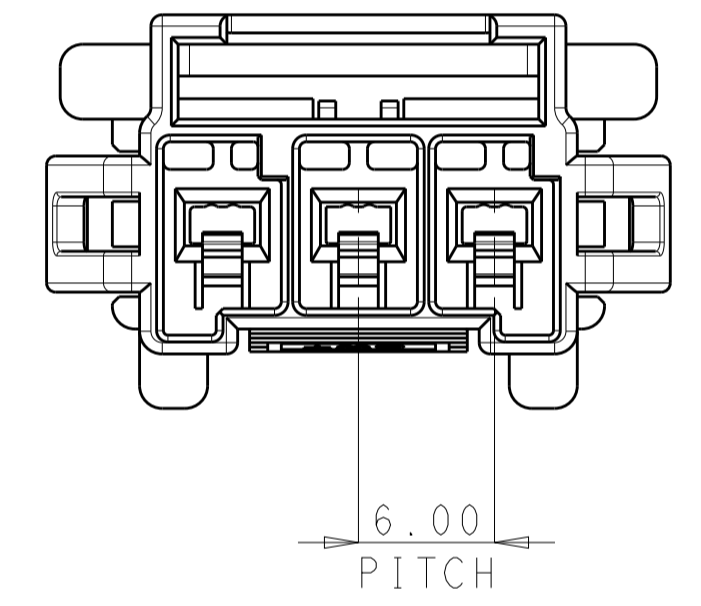


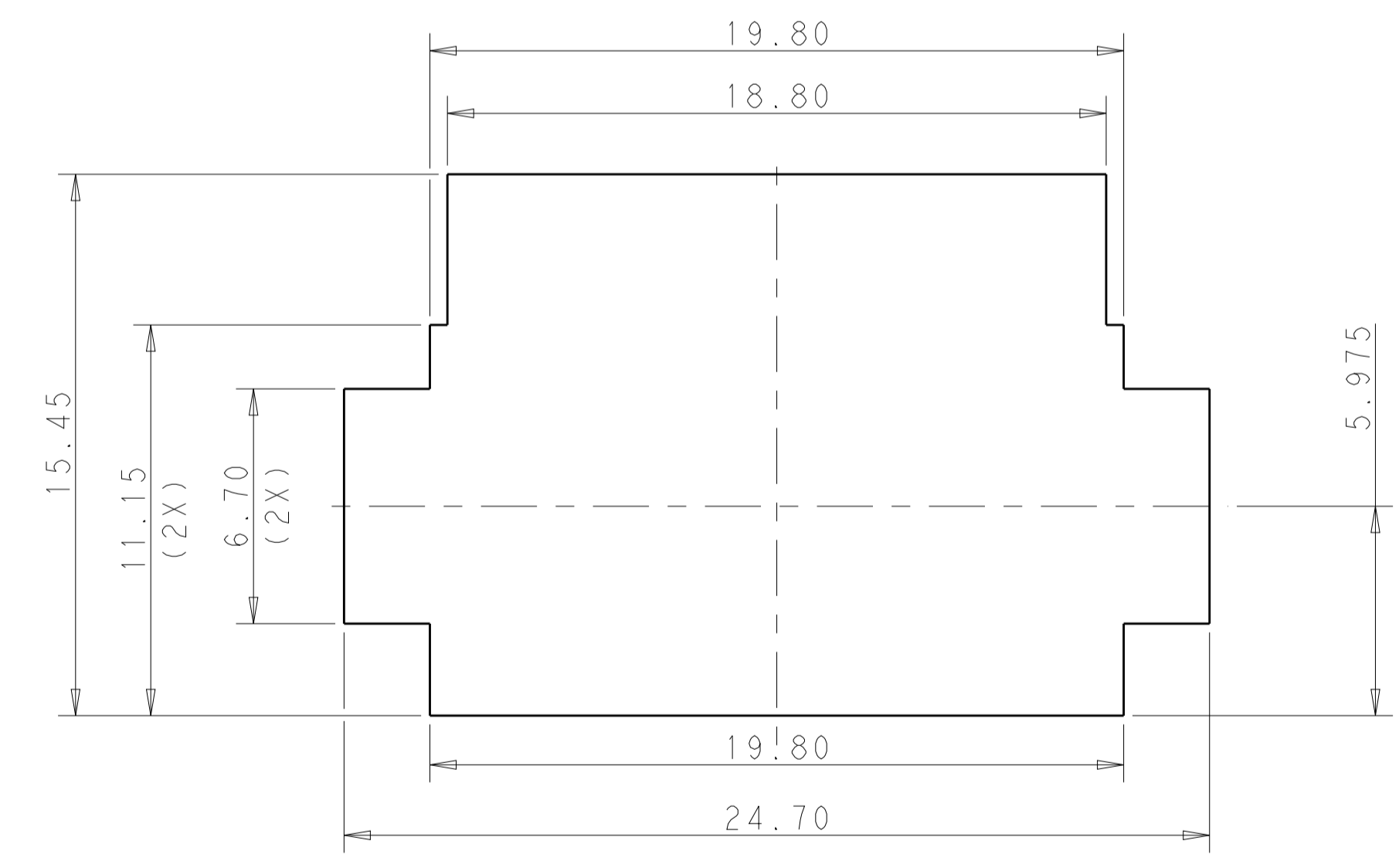
REVISIONS				
P.	LTN	DESCRIPTION	DATE	DMN APVD
B1		REVISED PER ECO-16-012046	16AUG2016	RS GJ



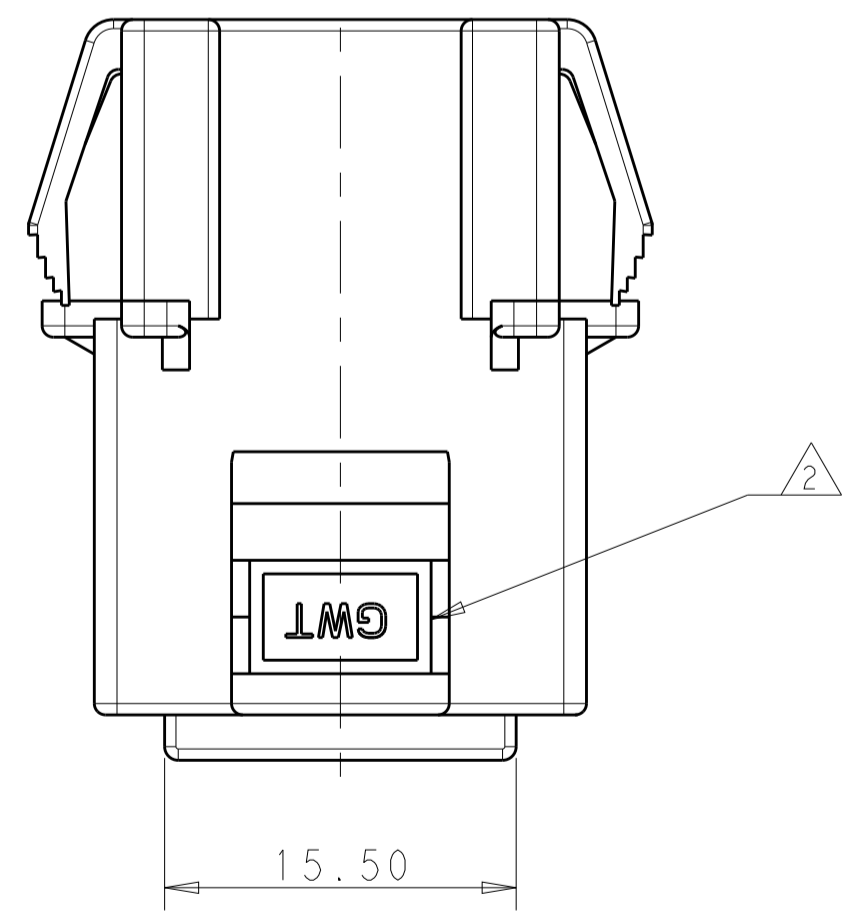
- 1 MATERIAL: NYLON GLASS FILLED, NATURAL, UL94 V-0
- 2 MATERIAL MARK: GWT
- 3 COMPLIES WITH GLOW WIRE REQUIREMENT FOR PARTS OF NON-METALLIC MATERIAL SUPPORTING A CURRENT CARRYING CONNECTION DETAILED IN IEC 60335-1, SECTION 30 (GWT 750°C NF)
- 4 APPLICABLE CONTACT P/N  
 GROUND TAB 2232724-\* AND 2238094-\*  
 IN CENTER POSITION.  
 TAB 1971784-\* AND 1971786-\* IN POSITIONS 1 AND 3.
- 5 MATING CONN, P/N  
 PLUG HSG: 5-2232362-3  
 TPA : 1971777-3



CENTER POSITION IS KEYS TO ACCEPT GROUND TAB CONTACT



RECOMMENDED PANEL OPENING DIMENSIONS FOR CAP HOUSING 1\*3 POSITION (TOLERANCE: ±0.15MM)  
 (RECOMMENDED PANEL THICKNESS: 1.0-2.0mm)



1*3 POS.	GWT MATERIAL	NATURAL COLOR	5-2232353-3 P/N
----------	--------------	---------------	-----------------

THIS DRAWING IS A CONTROLLED DOCUMENT.		DMN: 23JUL2013	<b>STE</b> TE Connectivity
DIMENSIONS: mm		CHK: HAIYU WU 23JUL2013	
TOLERANCES UNLESS OTHERWISE SPECIFIED:		APVD: YUHONG MAO 23JUL2013	
0 PLC ± 1 PLC ±0.35 2 PLC ±0.25 3 PLC ± 4 PLC ± ANGLES ± FINISH ±		NAME: PTL MFBL (MAKE FIRST BREAK LAST) PM CAP 3 POSITION	
MATERIAL:	WEIGHT: -	SIZE: A100779	RESTRICTED TO: -
CUSTOMER DRAWING		CAGE CODE: 2232353	SCALE: 3:1 SHEET 1 OF 1 REV: B1