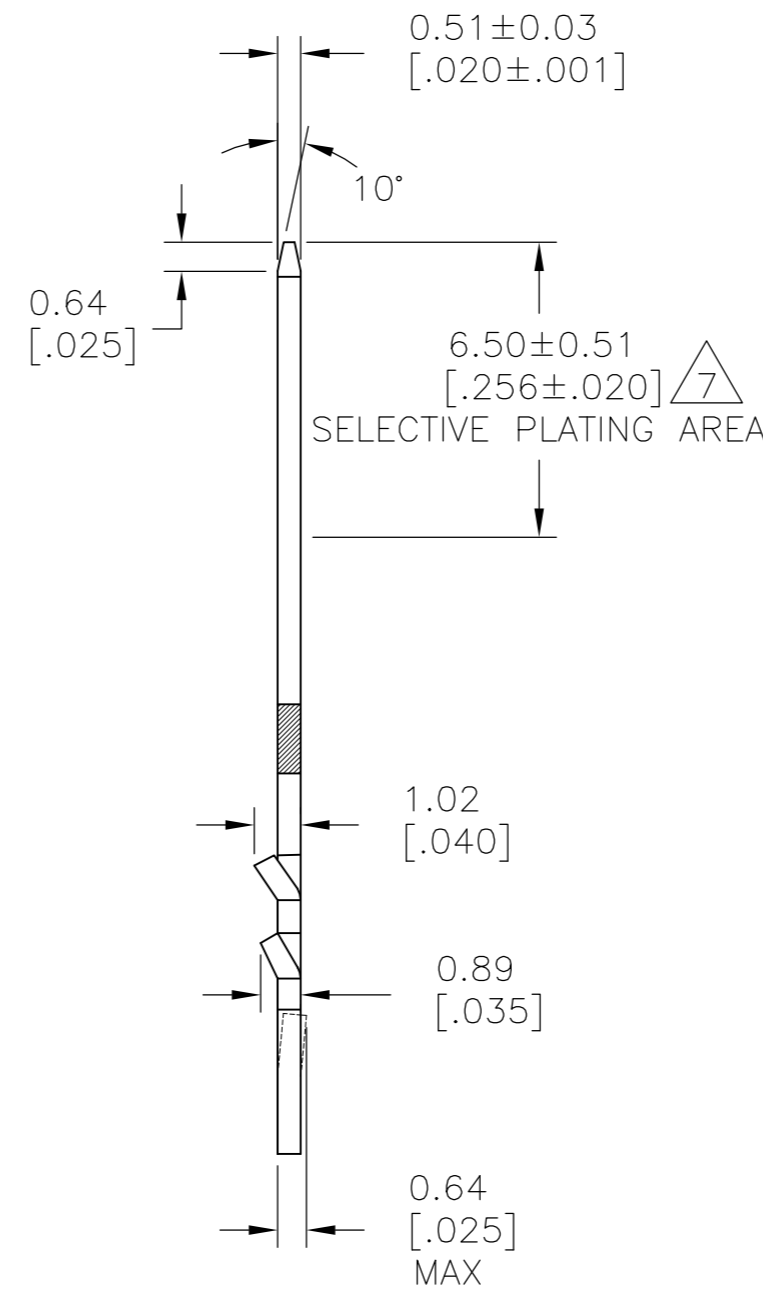
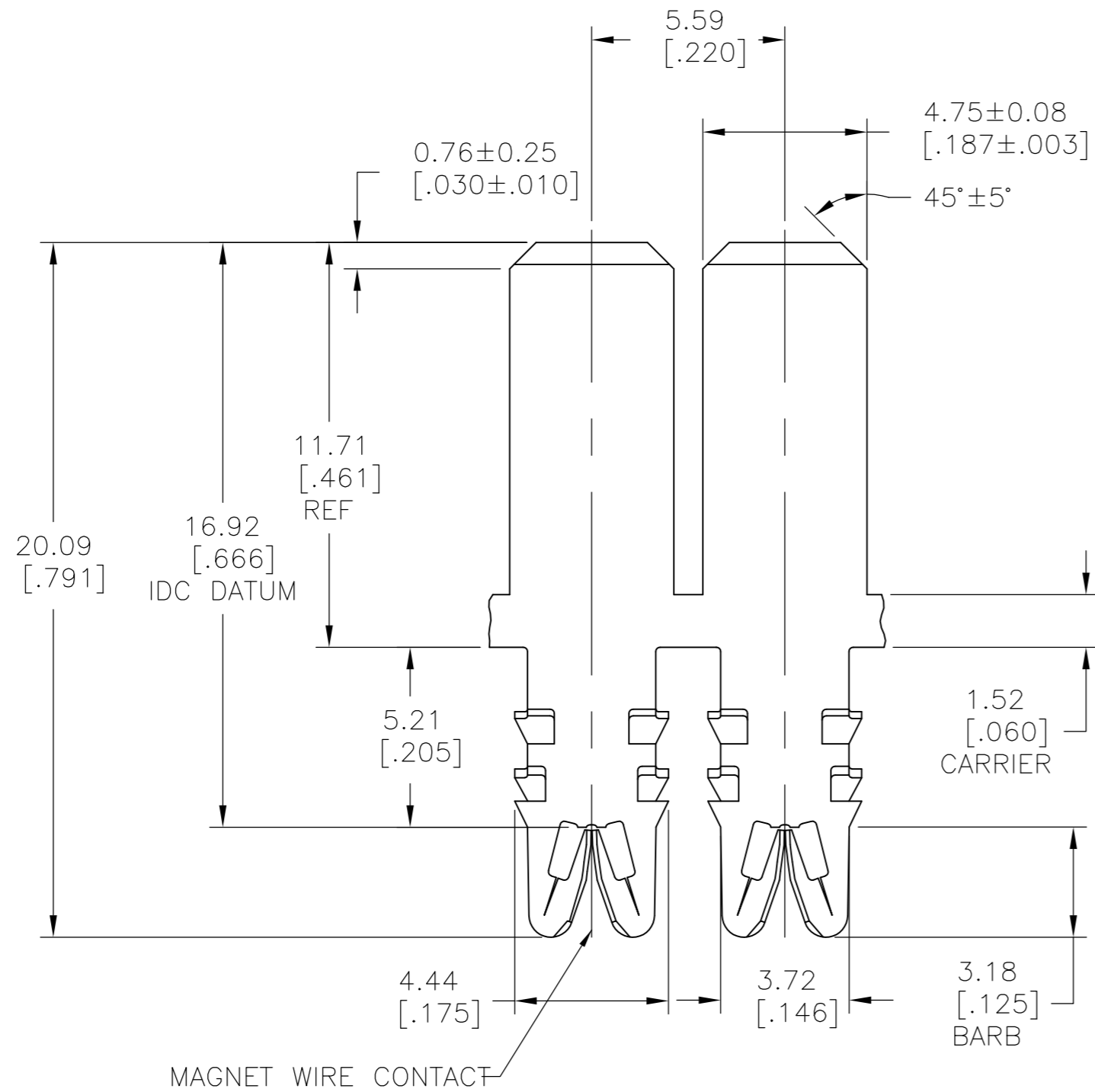
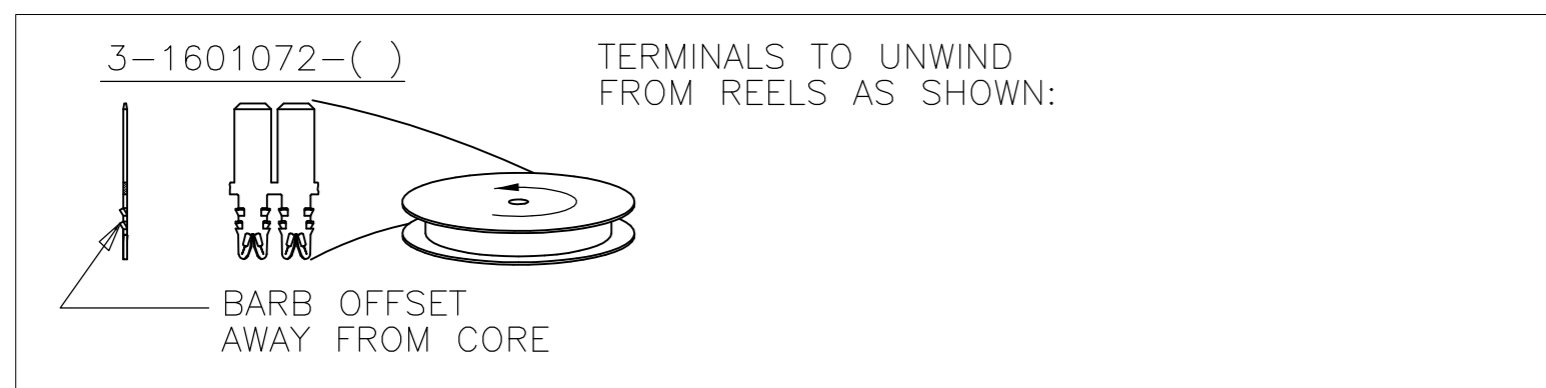
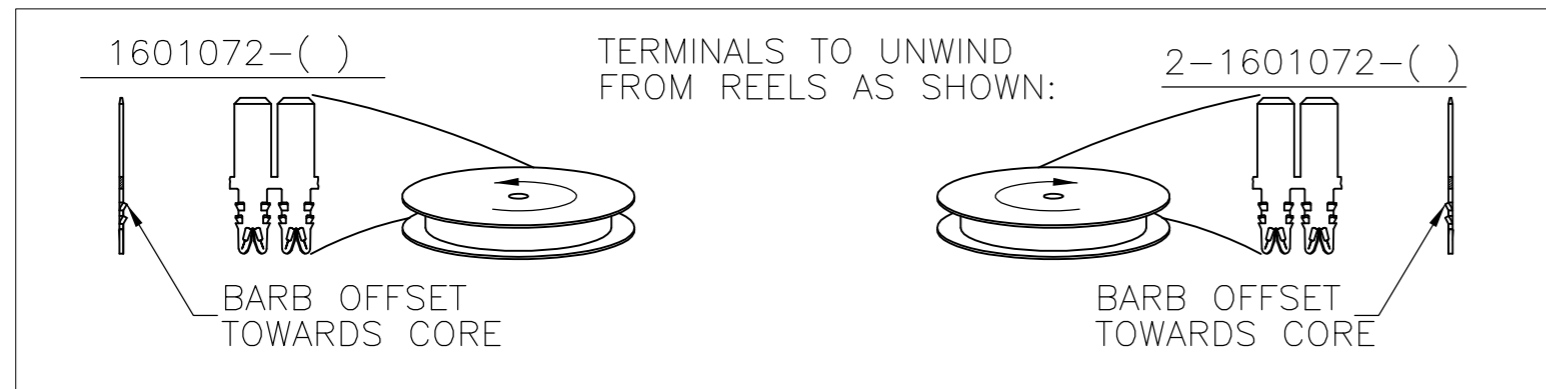
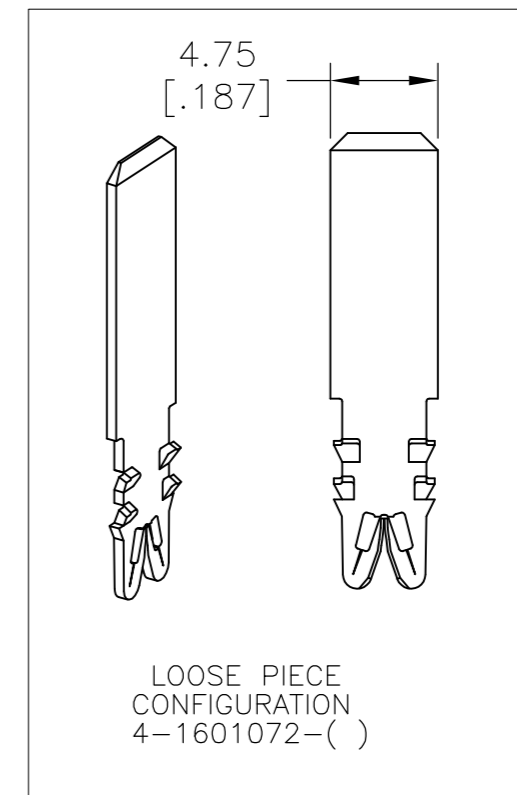


THIS DRAWING IS UNPUBLISHED. RELEASED FOR PUBLICATION
 © COPYRIGHT - By - ALL RIGHTS RESERVED.

LOC		DIST		REVISIONS			
P	LTR	DESCRIPTION		DATE	DWN	APVD	
AF	50	E6	REVISED PER ECR-14-015111	10OCT2014	GRZ	JL	



- SPECIFICATIONS:
MAGNET WIRE #18 - #34 AWG,
1.02 [.040] - 0.16 [.006] DIA COPPER.
- POCKET RECOMMENDATION: #1601425
- TERMINAL APPLICATION TO COMPLY WITH TYCO ELECTRONICS SPECIFICATION 114-13166 FIG 6.
- NOTES:
TERMINALS SUPPLIED ON REELS, CAN BE SUPPLIED LOOSE PIECE,
- OBsolete PARTS: OBsolete CIS STREAMLINING PER D.RENAUD/D.SINISI
- NON-STANDARD PACKAGING. ALL PLASTIC REEL AND PLASTIC INTERLEAVING. PLACED IN A PLASTIC BAG.
- SELECTIVE PLATE AREA 0.0019 [.000075] MIN THICK SILVER. ENTIRE TERMINAL IS UNDERPLATED WITH NICKEL.
- PRELIMINARY - NOT FOR PRODUCTION.



STANDARD	7	-	1601072-5
STANDARD	7	-	3-1601072-5
6	PRE-TIN PLATE OVER COPPER UNDERPLATE	-	3-1601072-4
STANDARD	PRE-TIN PLATE OVER COPPER UNDERPLATE	-	3-1601072-2
5	STANDARD	PRE-TIN PLATE OVER COPPER UNDERPLATE	131-140-014
OBsolete	STANDARD	PRE-TIN PLATE OVER COPPER UNDERPLATE	131-139-014
PACKAGING	FINISH	REFERENCE PART NUMBER	TE PART NUMBER

THIS DRAWING IS A CONTROLLED DOCUMENT.		DWN	J.WELLER	11JAN2002
DIMENSIONS: mm [INCHES]		CHK	M.FEHER	11JAN2002
TOLERANCES UNLESS OTHERWISE SPECIFIED:		APVD	K.RANDOLPH	11JAN2002
0 PLC	± -	NAME		
1 PLC	± 0.25[.010]	STD. WIRE RANGE TO .187 X .020		
2 PLC	± 0.13[.005]	MULTI-BARB TAB SIAMEZE TERMINAL		
3 PLC	± -	SIZE		
4 PLC	± -	CAGE CODE		
ANGLES	± 2°	DRAWING NO		
MATERIAL	FINISH	RESTRICTED TO		
BRASS, FULL HARD	SEE TABLE	WEIGHT	-	-
CUSTOMER DRAWING		SCALE	6:1	SHEET 1 OF 1
REV E6		REV E6		