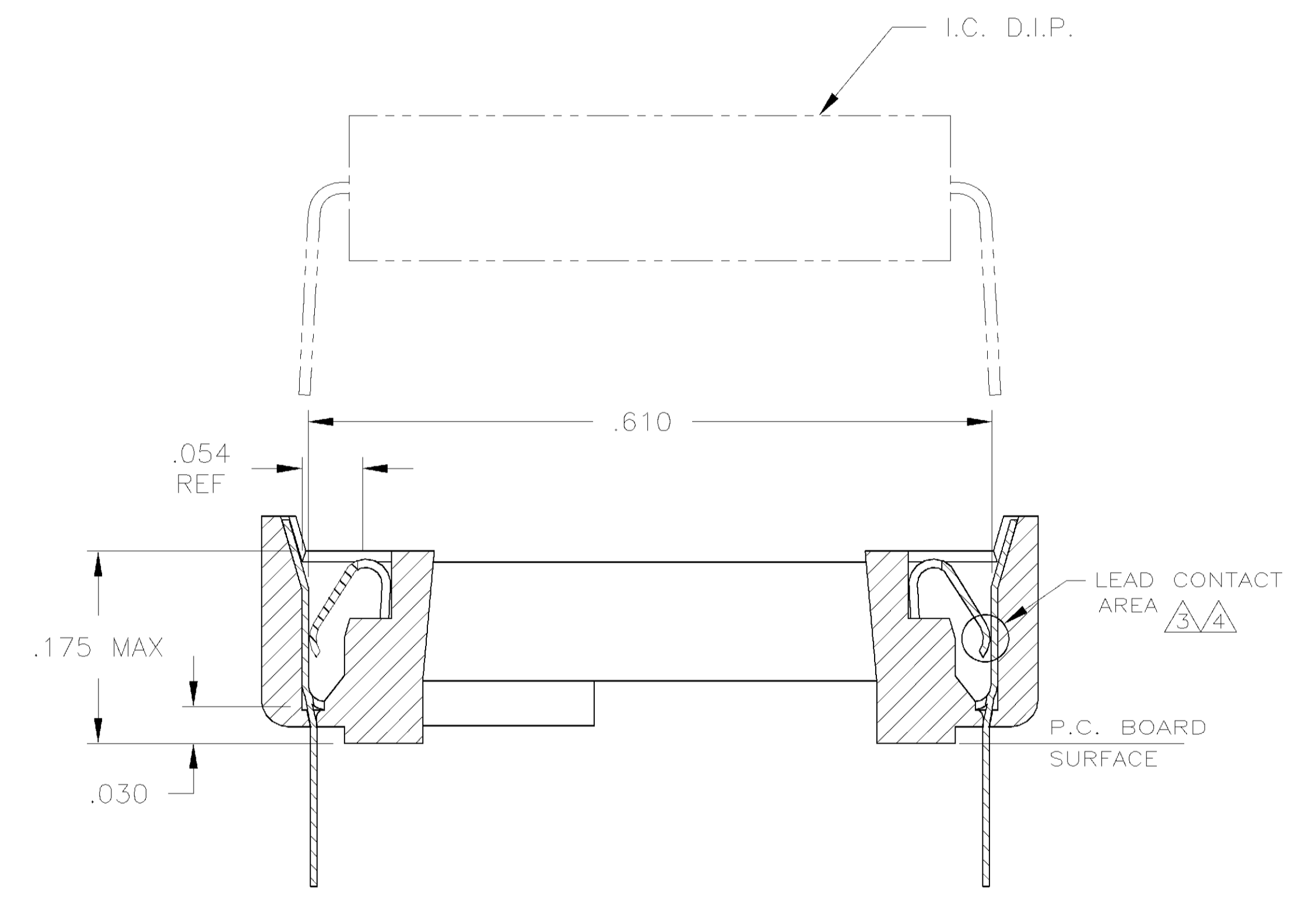
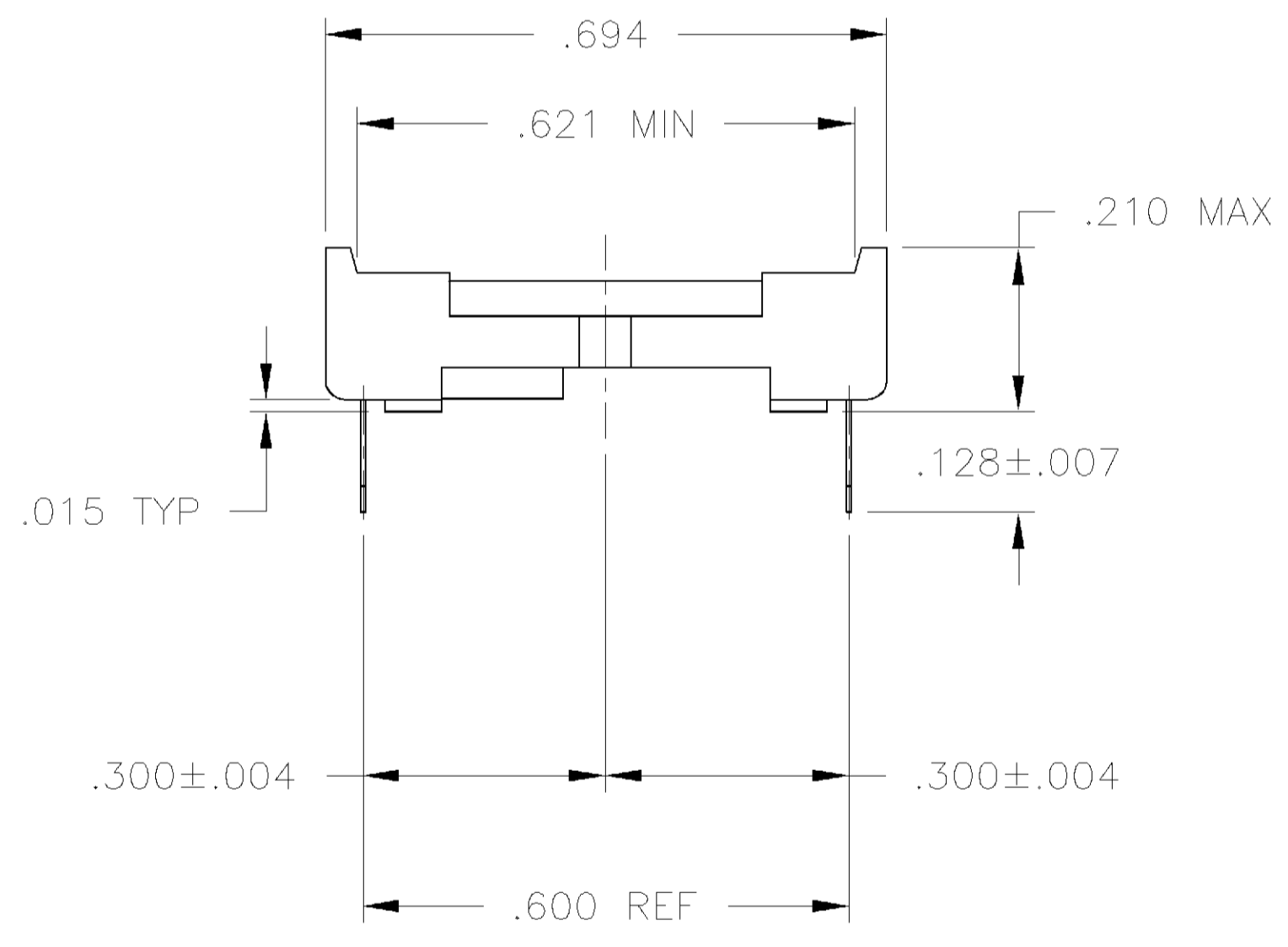
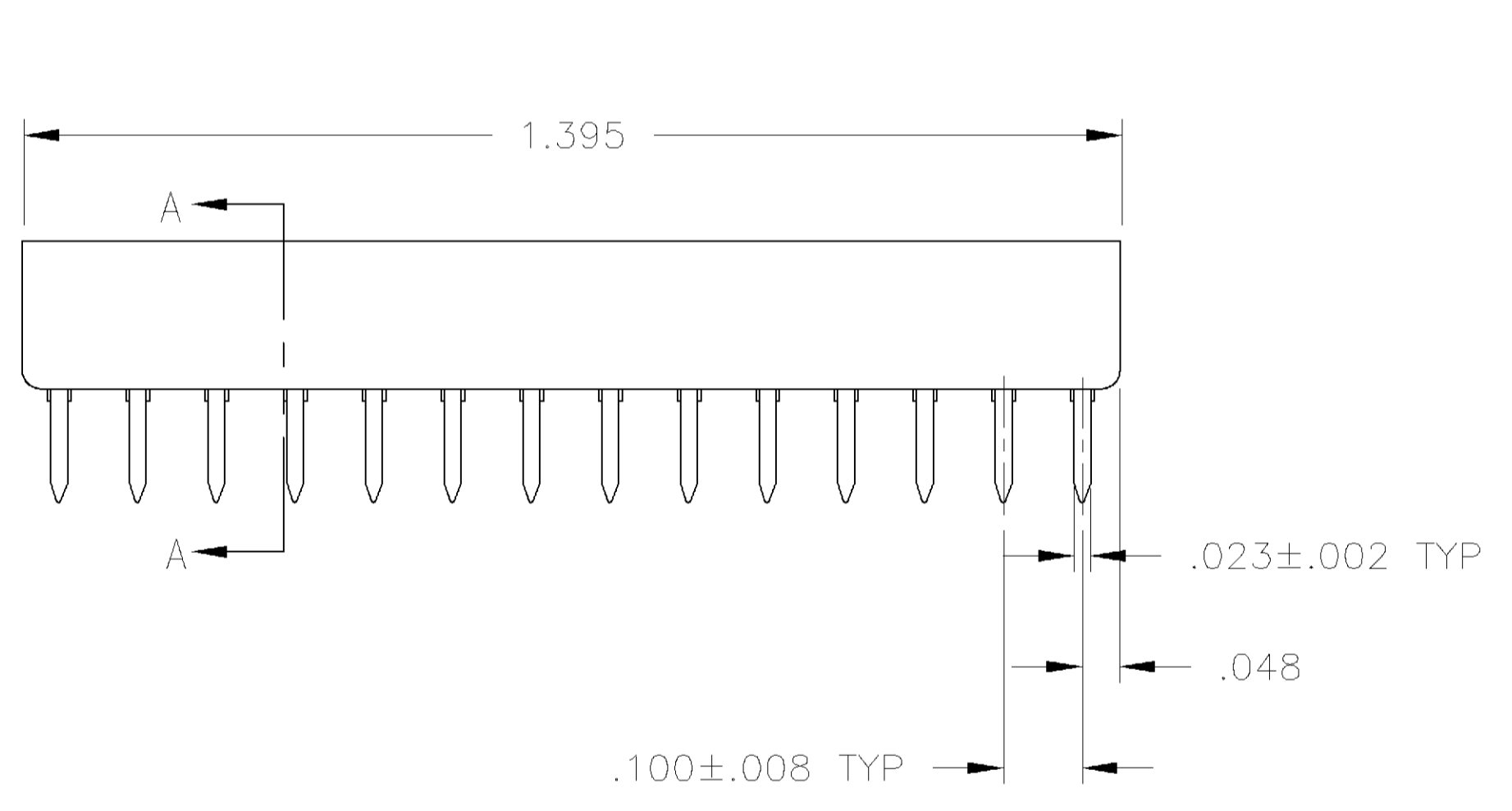
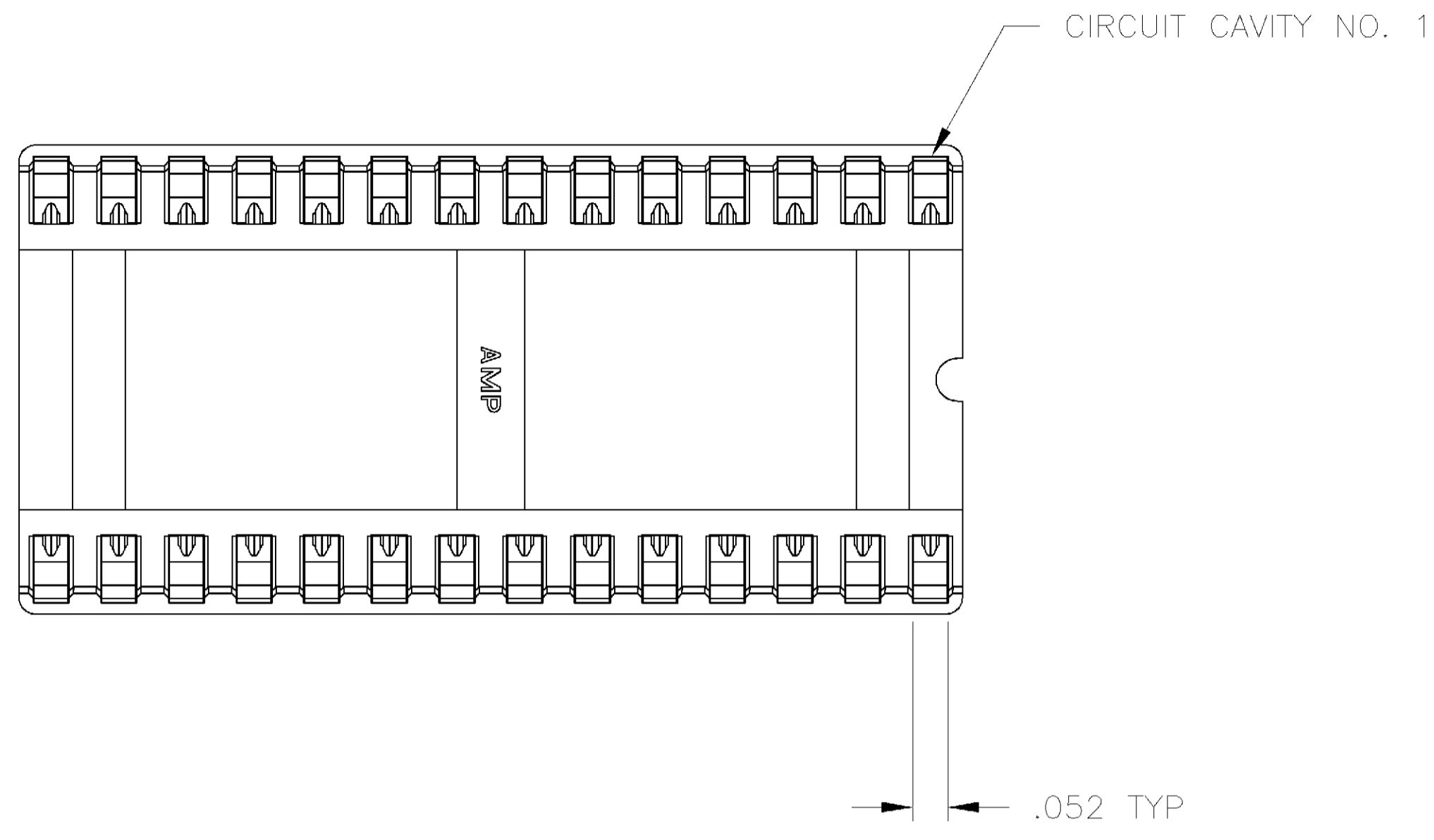
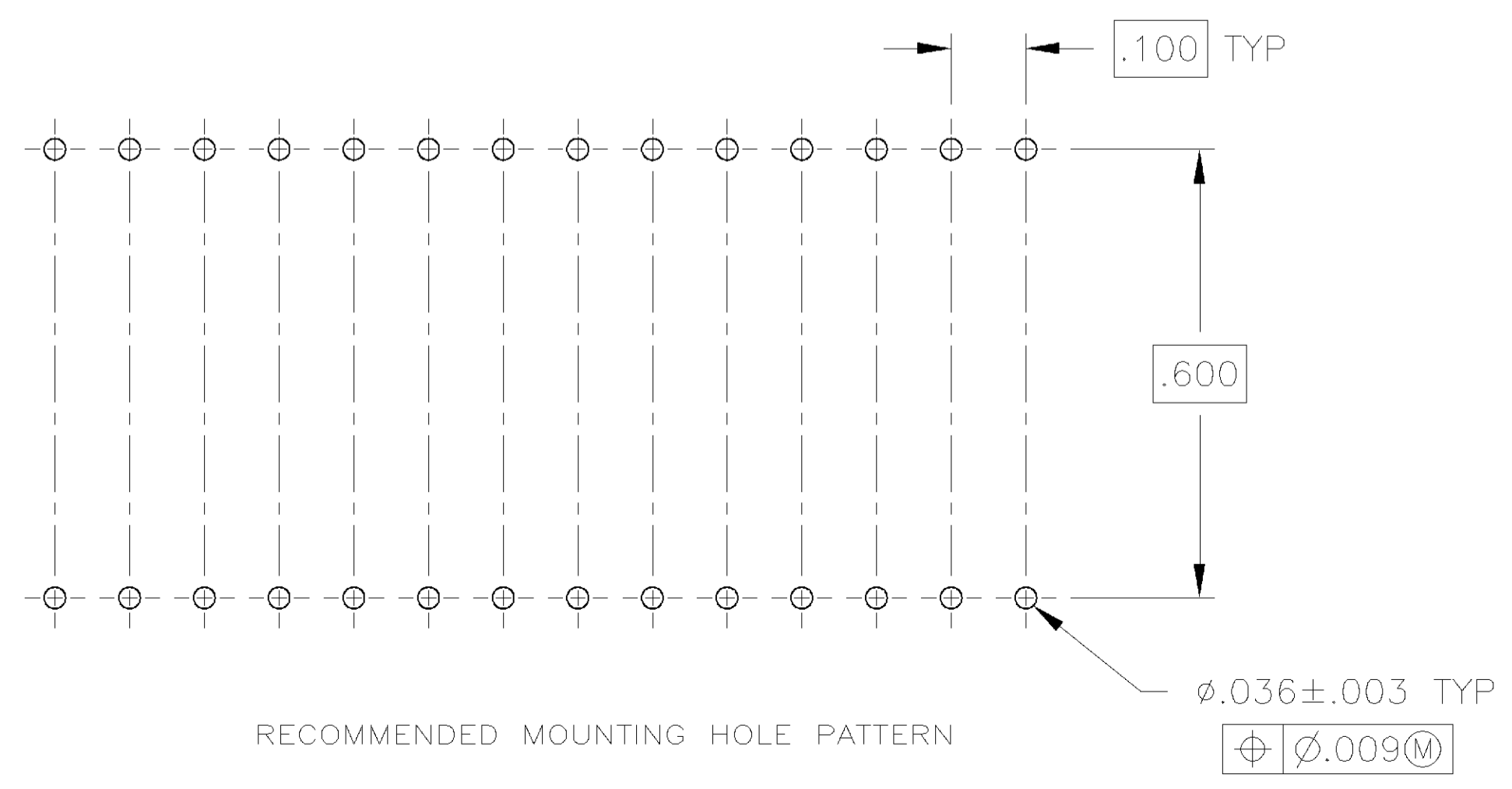


- RECEPTACLE ACCEPTS A .008-.014 THICK I.C. LEAD.
- TUBE LOADED FOR AUTOMATIC INSERTION.
- TWO .000030 MIN THK. GOLD STRIPES IN CONTACT AREA WITH TIN-LEAD (93/7) ON SOLDER LEGS, BALANCE OF CONTACT NICKEL PLATED.
- TWO .000015 MIN THK. GOLD STRIPES IN CONTACT AREA WITH TIN-LEAD (93/7) ON SOLDER LEGS, BALANCE OF CONTACT NICKEL PLATED.
- SEE RESTRICTED CUSTOMER DRAWING 3-641605-1, FOR PART NUMBERS 3-641605-1, & 3-641605-3.
- SEE RESTRICTED CUSTOMER DRAWING 4-641605-3.



SECTION A-A
SCALE 10:1



OBSOLETE					
OBSOLETE	TINNED	PHOS.BRZ. .006 THK	GLASS-FILLED THERMOPLASTIC, 94V-0, BLACK	2-641605-5	
		PHOS.BRZ. .006 THK	GLASS-FILLED THERMOPLASTIC, 94V-0, BLACK	2-641605-4	
SUPSD BY 390262-2	TINNED	PHOS.BRZ. .006 THK	GLASS-FILLED THERMOPLASTIC, 94V-0, BLACK	2-641605-3	
		BE.CU. .006 THK	GLASS-FILLED THERMOPLASTIC, 94V-0, BLACK	2-641605-2	
SUPSD BY 390262-2	TINNED	BE.CU. .006 THK	GLASS-FILLED THERMOPLASTIC, 94V-0, BLACK	2-641605-1	
	CONTACT FINISH	CONTACT MAT'L	HOUSING MATERIAL	PART NO.	

THIS DRAWING IS A CONTROLLED DOCUMENT.

DIMENSIONS: INCHES	TOLERANCES UNLESS OTHERWISE SPECIFIED:	DWN: R BROWN 19OCT00	Tyco Electronics Corporation Harrisburg, PA 17105
0 PLC ± -	1 PLC ± -	CHK: H WYNKOOP 19OCT00	NAME: SOCKET ASSY, DIP, LADDER, 28 POS, DIPLOMATE™ DL
2 PLC ± -	3 PLC ± .005	APVD: H WYNKOOP 19OCT00	PRODUCT SPEC: 108-1066
4 PLC ± -	ANGLES ± 0-30°	APPLICATION SPEC: 114-1049	SIZE: A1
MATERIAL: SEE TABLE	FINISH: SEE TABLE	WEIGHT: -	CAGE CODE: 00779
			DRAWING NO: 641605
			RESTRICTED TO: -
			CUSTOMER DRAWING

SCALE 5:1 SHEET 1 OF 1 REV AA