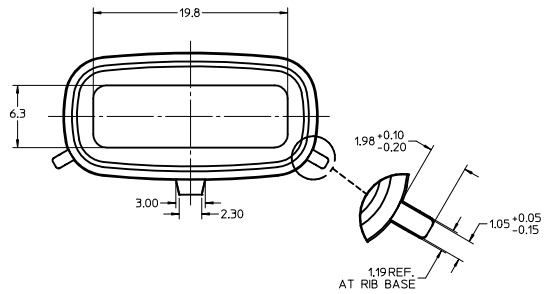
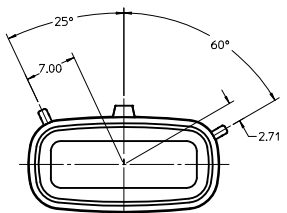


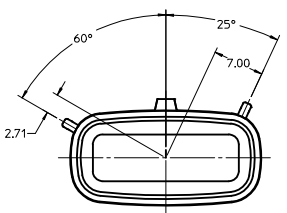
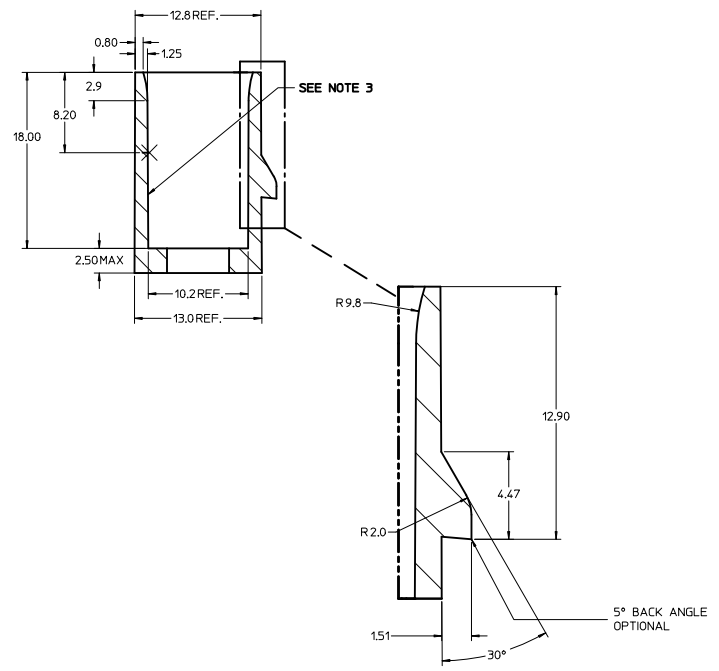
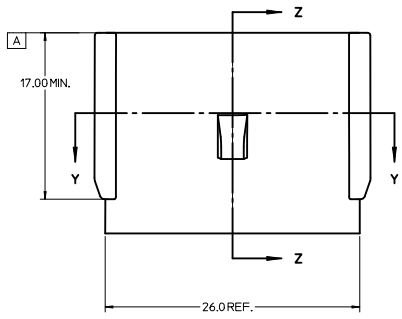
KEYING OPTION "A"
SUGGESTED COLOR: BLACK



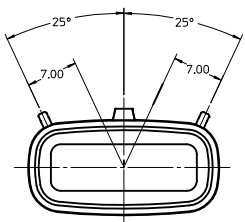
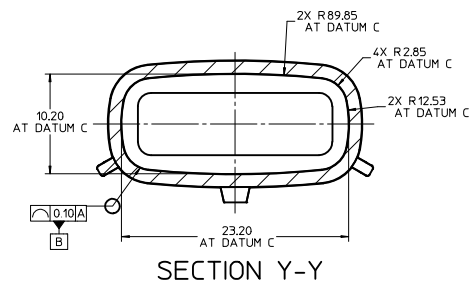
- NOTES:**
1. REFER TO MOLEX SALES DRAWING SD-75757-002 FOR THE HEADER ASSEMBLY PRODUCT DETAILS AND RECOMMENDED PCB LAYOUT.
 2. KEYING OPTIONS A-D AND SUGGESTED COLORS COMPLY TO THE POLARIZATION STANDARDS ESTABLISHED FOR MATING WITH A MX150 FEMALE CONNECTOR.
 3. INTERIOR SHROUD SURFACE MUST BE FREE OF DEFECTS AND PARTING LINES ALL AROUND TO ENSURE PROPER SEALING OF THE MATING MX150 FEMALE CONNECTOR.
 4. A FULL SHROUD ON THE MATING CONNECTOR IS REQUIRED TO INSURE THE HEADER SHROUD POLARIZATION FEATURES (OPTIONS A-D) WILL FUNCTION PROPERLY. THE FULL SHROUD ALSO PREVENTS SCOOP DAMAGE TO THE HEADER CONTACTS.
 5. PERMISSIBLE DRAFT ANGLE 0.25° MAXIMUM.
 6. RADII ON ALL CORNERS SHOWN SHARP OR ALL UNSPECIFIED RADII 0.25 EXCEPT AS NOTED.
 7. DIMENSIONS SHOWN ABOUT A CENTERLINE ARE SYMMETRICAL ABOUT THAT CENTERLINE WITHIN HALF THE SPECIFIED TOLERANCE.



KEYING OPTION "B"
SUGGESTED COLOR: GREY



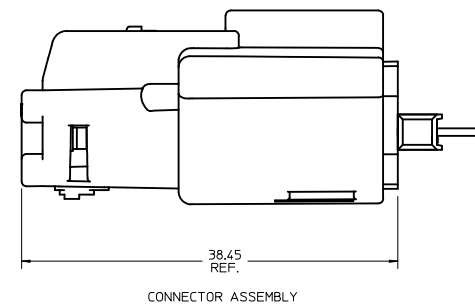
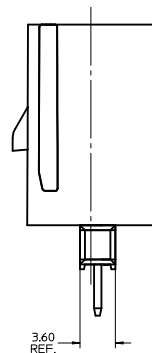
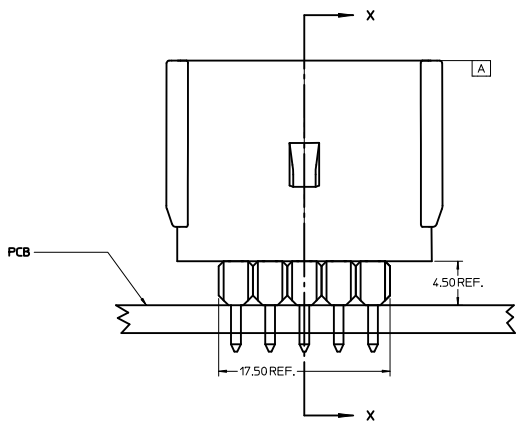
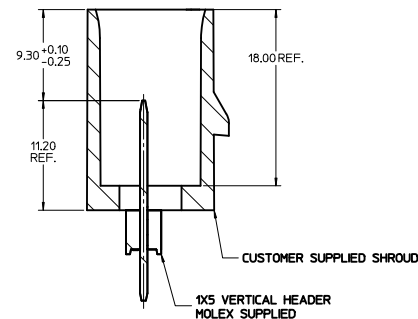
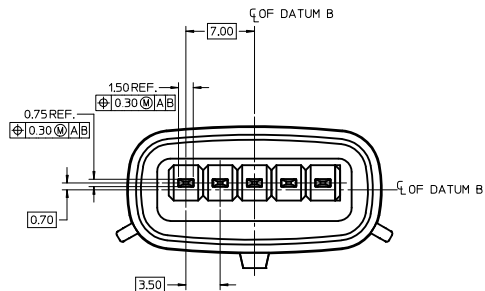
KEYING OPTION "C"
SUGGESTED COLOR: BROWN



KEYING OPTION "D"
SUGGESTED COLOR: GREEN

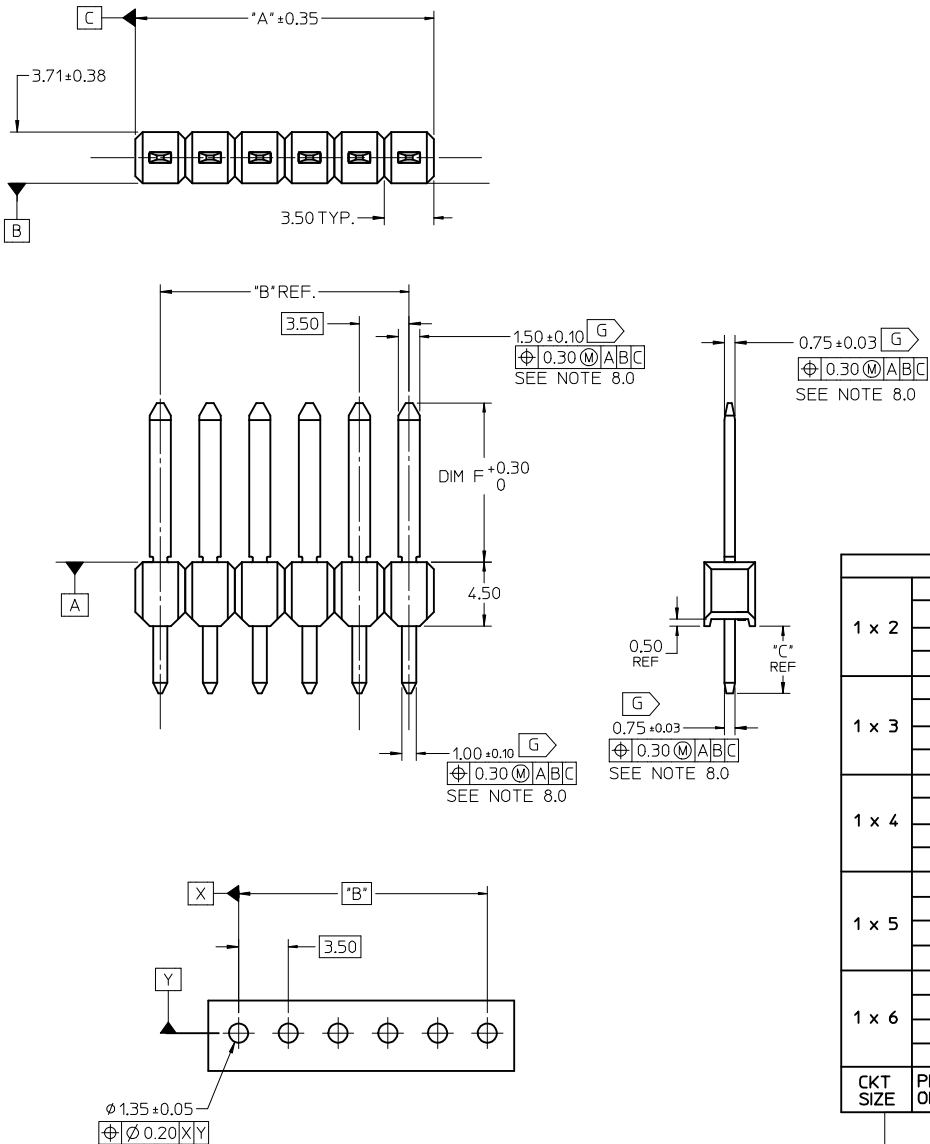
ADDED PLUG ASSY EC NO: UCP2011-2680 CHYD: APPR: JCOMERCL 2011/03/04 2011/03/07	QUALITY SYMBOLS	GENERAL TOLERANCES (UNLESS SPECIFIED)	DIMENSION STYLE	SCALE	DESIGN UNITS	THIRD ANGLE PROJECTION
	▽=0 ▽=0	mm INCH 4 PLACES ± ± 3 PLACES ± ± 2 PLACES ±0.01 ± 1 PLACE ±0.2 ± ANGULAR ±1/2°	MM ONLY DATE 5/15/06	4:1	METRIC	APPLICATION SPEC 1X5 MX150 HEADER SHROUD DETAILS
	DRAFT WHERE APPLICABLE MUST REMAIN WITHIN DIMENSIONS	MATERIAL NO: 75757-1050	DRAWN BY JJANTELEZ10 CHECKED BY TMCLELL APPROVED BY BANAKIS DATE 5/15/06	DOCUMENT NO: AS-75757-105	MOLEX INCORPORATED	SHEET NO: 1 OF 2
		THIS DRAWING CONTAINS INFORMATION THAT IS PROPRIETARY TO MOLEX INCORPORATED AND SHOULD NOT BE USED WITHOUT WRITTEN PERMISSION				

NOTE:
 1. ADHERENCE TO THE APPLICATION DETAILS IS IMPERATIVE TO ENSURE PROPER SHROUD SEALING AND CONTACT ALIGNMENT WHEN MATED WITH A MX150 FEMALE CONNECTOR.



HEADER APPLICATION DETAILS

SEE SHT 1 IEC NO. UCP2011-2680 DRAWN BY: DRWN:DROSCA CHKD: APPR.: COMERCL 2011/03/04 2011/03/07	QUALITY SYMBOLS	GENERAL TOLERANCES (UNLESS SPECIFIED)	DIMENSION STYLE	SCALE	DESIGN UNITS	THIRD ANGLE PROJECTION
	▽=0 ▽=0	mm INCH	MM ONLY	4:1	METRIC	APPLICATION SPEC 1X5 MX150 HEADER SHROUD DETAILS
	DESCRIPTION	4 PLACES ± --- 3 PLACES ± --- 2 PLACES ± 0.01 1 PLACE ± 0.2 ANGULAR ± 1/2°	DRAWN BY: JJANTELEZIO CHECKED BY: TMCLELL APPROVED BY: BANAKIS	DATE: 5/15/06 DATE: 5/15/06 DATE: 5/15/06	MATERIAL NO.: 75757-1050 DOCUMENT NO.: AS-75757-105	MOLEX INCORPORATED
		DRAFT WHERE APPLICABLE MUST REMAIN WITHIN DIMENSIONS	SIZE D	THIS DRAWING CONTAINS INFORMATION THAT IS PROPRIETARY TO MOLEX INCORPORATED AND SHOULD NOT BE USED WITHOUT WRITTEN PERMISSION		SHEET NO. 2 OF 2



- NOTES:
1. TERMINAL MAT'L: ALLOY C26000, CARTRIDGE BRASS
 2. WAFER MAT'L: 30% GLASS FILLED LCP, 94V-0, COLOR BLACK.
 3. TERMINAL PLATING:
 - OPTION 1 - 2.5μm MIN MATTE TIN OVERALL OVER 1.50μm MIN. NICKEL OVERALL
 - OPTION 2 - 1.50μm MIN. NICKEL OVERALL 4.00μm MIN SELECT MATTE TIN PC TAIL AREA 0.05μm MIN SELECT GOLD CONTACT AREA
 - OPTION 3 - 1.50μm MIN. NICKEL OVERALL 4.00μm MIN SELECT MATTE TIN PC TAIL AREA 0.50μm MIN. SELECT GOLD CONTACT AREA
 - OPTION 4 - 1.5μm MIN MATTE TIN OVERALL OVER 1.50μm MIN. NICKEL OVERALL
 4. HEADER ASSEMBLIES ARE TUBE PACKAGED PER PK-36518-342.
 5. MAXIMUM SKIVING ALLOWED: 1mm.
 6. MAXIMUM CUT-OFF BURR ALLOWED: 0.30mm.
 7. MAXIMUM DIG MARK ALLOWED: 0.45mm.
 8. ALL THE POSITIONAL TOLERANCES SHOULD BE MEASURED AT TIP OF THE TERMINALS.
 9. POSITION TOLERANCE OF PIN AT MATING SIDE SHOULD BE MAINTAINED AT 0.3MM IN THE FINAL MODULE BY CUSTOMER.
 10. (G) DENOTES DIMENSIONS THAT CAN BE QUALIFIED WITH GAUGE
- 11. BLADE GEOMETRY DOES NOT CONFORM TO USCAR SPECIFICATIONS.**

CKT SIZE	PLATING OPTION	TOOLED				TOOLED				TOOLED				STATUS		
		MATERIAL NUMBER	*F* DIM	*C* DIM	MATERIAL NUMBER	*F* DIM	*C* DIM	MATERIAL NUMBER	*F* DIM	*C* DIM	MATERIAL NUMBER	*F* DIM	*C* DIM	*A* DIM	*B* DIM	
1 x 2		1	75757-0121	11.20	3.05	75757-0122	11.20	4.75	75757-0123	16.09	3.05	75757-0124	13.35	3.05	7	3.5
		2	75757-0221			75757-0222			75757-0223			75757-0224				
		3	75757-0321			75757-0322			75757-0323			75757-0324				
		4	75757-0421			75757-0422			75757-0423			75757-0424				
1 x 3		1	75757-0131	11.20	3.05	75757-0132	11.20	4.75	75757-0133	16.09	3.05	75757-0134	13.35	3.05	10.5	7.00
		2	75757-0231			75757-0232			75757-0233			75757-0234				
		3	75757-0331			75757-0332			75757-0333			75757-0334				
		4	75757-0431			75757-0432			75757-0433			75757-0434				
1 x 4		1	75757-0141	11.20	3.05	75757-0142	11.20	4.75	75757-0143	16.09	3.05	75757-0144	13.35	3.05	14.0	10.50
		2	75757-0241			75757-0242			75757-0243			75757-0244				
		3	75757-0341			75757-0342			75757-0343			75757-0344				
		4	75757-0441			75757-0442			75757-0443			75757-0444				
1 x 5		1	75757-0151	11.20	3.05	75757-0152	11.20	4.75	75757-0153	16.09	3.05	75757-0154	13.35	3.05	17.5	14.00
		2	75757-0251			75757-0252			75757-0253			75757-0254				
		3	75757-0351			75757-0352			75757-0353			75757-0354				
		4	75757-0451			75757-0452			75757-0453			75757-0454				
1 x 6		1	75757-0161	11.20	3.05	75757-0162	11.20	4.75	75757-0163	16.09	3.05	75757-0164	13.35	3.05	21.0	17.50
		2	75757-0261			75757-0262			75757-0263			75757-0264				
		3	75757-0361			75757-0362			75757-0363			75757-0364				
		4	75757-0461			75757-0462			75757-0463			75757-0464				

Pos. Tol. det. Added EC NO: I2017-0047 DRAWN:RGV 2016/11/14 CHKD: APPR:VUITTARKAR 2017/04/24	QUALITY SYMBOLS	GENERAL TOLERANCES (UNLESS SPECIFIED)	DIMENSION STYLE	SCALE	DESIGN UNITS	THIRD ANGLE PROJECTION
	▽=0	mm INCH	MM ONLY	4:1	METRIC	⊙ □
	▽=0	4 PLACES ± --- ± ---	DRAWN BY DATE	TITLE		
	▽=0	3 PLACES ± 0.13 ± ---	TMCCLELL 1/24/06	MX150 SINGLE ROW UNSHROUDED VERTICAL HEADER ASSEMBLY		
	1 PLACE ± 0.25 ± ---	CHECKED BY DATE				
	0 PLACE ± ±	TMCCLELL 1/24/06				
		APPROVED BY DATE				
		BANAKI S 1/24/06				
		ANGULAR ±1/2°				
		DRAFT WHERE APPLICABLE MUST REMAIN WITHIN DIMENSIONS				
		SEE CHART	SD-75757-010			
		THIS DRAWING CONTAINS INFORMATION THAT IS PROPRIETARY TO MOLEX INCORPORATED AND SHOULD NOT BE USED WITHOUT WRITTEN PERMISSION				