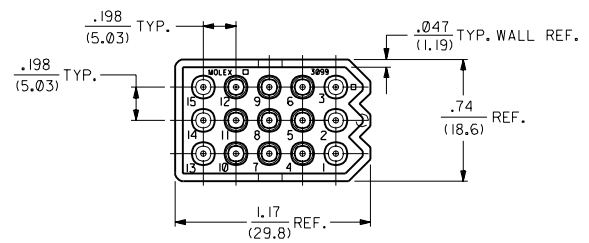
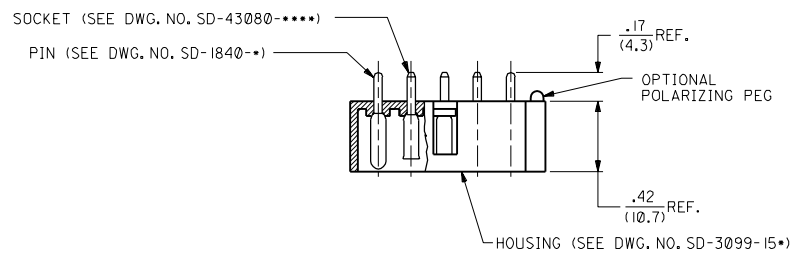
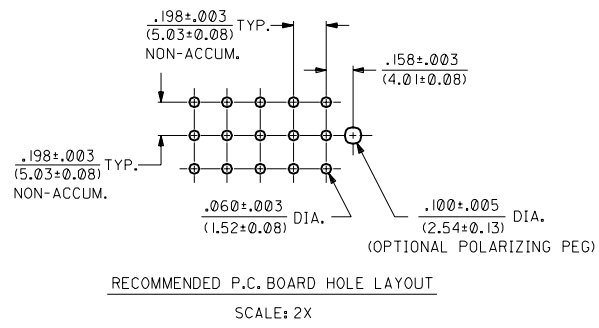


13	12	11	10	9	8	7	6	5	4	3	2	1								
PART NO.	ENG. NUMBER	TERMINAL LOCATION (SEE CHART)	MAT'L	POLAR. PEG	PLATING (SEE CHART)	TERMINAL LOCATION CHART (M=MALE, F=FEMALE, B=BLANK)							PLATING CODE	PLATING						
10-18-1150	A-3099-1501	A	V-0	YES	B	CIRCUIT LOCATION							A	UNPLATED						
						1	2	3	4	5	6	7	8	9	10	11	12	13	14	15
						A	M	M	M	M	M	M	M	M	M	M	M	M	M	M

TERM. LOC. CODE	CIRCUIT LOCATION																		
	1	2	3	4	5	6	7	8	9	10	11	12	13	14	15				
A	M	M	M	M	M	M	M	M	M	M	M	M	M	M	M				

PLATING CODE	PLATING
A	UNPLATED
B	.000200/(0.00508) MIN. ELECTRO TIN OVER .000100/(0.00254) MIN. COPPER (PINS ONLY) POST PLATE .000050-.000150/(0.00127-0.00381) BRIGHT TIN-LEAD [90/10] OVER .000030-.000080/(0.00076-0.00203) NICKEL (SOCKETS ONLY)



- NOTES:
- MATERIAL:
HOUSING: UNFILLED POLYESTER, 94V-0, COLOR-BLACK
PIN TERMINAL: CARTRIDGE BRASS, ALLOY NO. C26000
SOCKET TERMINAL: PHOSPHOR BRONZE, ALLOY NO. C51000
 - MATES WITH MOLEX 1375 RECEPTACLES AND .093/(2.36) SERIES TERMINALS.
 - ASSEMBLIES TO BE MOUNTED ON SUPPORTED EDGE OF P.C. BOARD.
 - WHERE MALE TERMINALS ARE USED, MATING CONNECTOR TO USE FEMALE TERMINAL WITH CLOSED SLOT IN BARREL.

DI	REV. PLTG. CHART ECN #U5 0297 9-30-94 RW
D	REVISE MATERIAL ECN #U4 0193 2-24-94 RW
C	DEL NYLON 94V-2 ECR U2-1469 AFG 92-10-09 RW
B	REVISE V-0 MAT'L ECR U2 0079 CXC 1/20/92 RW
A	REV. & REDRAWN ERO #2316 GEP 5-25-89 RW

MFG. SH. REV. LTR. REVISIONS

DIMENSIONS SHOWN METRIC (INCH) UNLESS OTHERWISE SPECIFIED TOLERANCES ANGULAR ± 1/2°

INCH	METRIC
3 PLACE ± .010	---
2 PLACE ± .014	± 0.25
1 PLACE ---	± 0.35

DRAFT WHERE APPLICABLE MUST REMAIN WITHIN DIMENSIONS

MOLEX INCORPORATED
L15LEJLL 60532 U.S.A.

TITLE: CONNECTOR ASSEMBLY ENCLOSED WAFER 15 CIRCUIT

PART NO. SDA-3099-15

DATE: 5/25/89

SHEET NO. 1 OF 1

DRWG. NO. SEE CHART

DRWG. BY: RAS

APP'D. BY: RAS

SCALE: 2:1

THIS DRAWING CONTAINS INFORMATION THAT IS PROPRIETARY TO MOLEX INC. AND SHOULD NOT BE USED WITHOUT WRITTEN PERMISSION.

6500

D

C

B

A