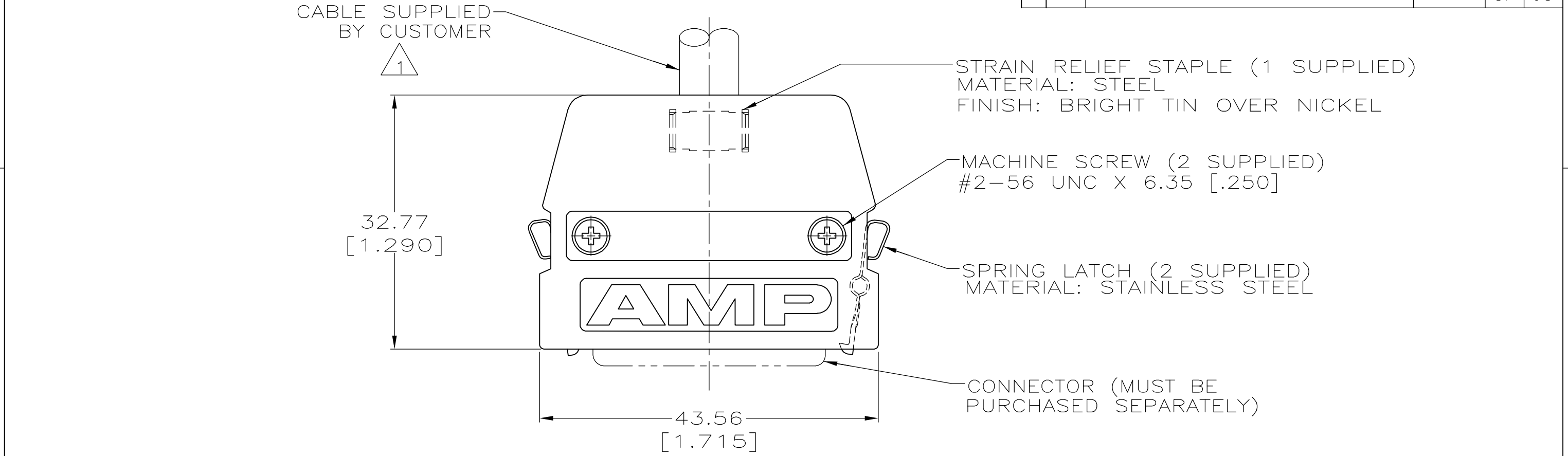


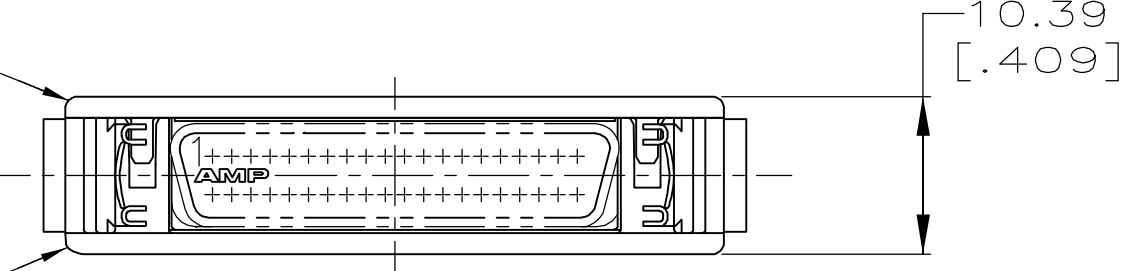
THIS DRAWING IS UNPUBLISHED. RELEASED FOR PUBLICATION
 © COPYRIGHT - BY TYCO ELECTRONICS CORPORATION. ALL RIGHTS RESERVED.

LOC	DIST	REVISIONS					
GP	00	P	LTR	DESCRIPTION	DATE	DWN	APVD
			0	RELEASED PER EC OS13-0001-05	25AUG05	GP	JG



UPPER BACKSHELL (1 SUPPLIED)
MATERIAL: ZINC
PLATING: NICKEL OVER COPPER

LOWER BACKSHELL (1 SUPPLIED)
MATERIAL: ZINC
PLATING: NICKEL OVER COPPER



**COPYRIGHT 2005
 TYCO ELECTRONICS CORP
 ALL RIGHTS RESERVED**

5749192-1

PART NO

- ① 8.13 [.320] MAX CABLE DIA.
- 2. PARTS PACKAGED AS A UNIT KIT.

THIS DRAWING IS A CONTROLLED DOCUMENT.		DWN G.PETERS 25AUG05	Tyco Electronics Corporation Harrisburg, PA 17105-3608				
DIMENSIONS: INCHES		CHK S.SHUEY 25AUG05					
TOLERANCES UNLESS OTHERWISE SPECIFIED:		APVD M.WALMSLEY 25AUG05	NAME KIT, UNASSEMBLED, 40 POSITION, STRAIGHT EXIT, UNKEYED, AMPLIMITE .050 Series				
0 PLC ± - 1 PLC ± - 2 PLC ± - 3 PLC ± 0.38 [.105] 4 PLC ± - ANGLES ± -		PRODUCT SPEC -	APPLICATION SPEC -				
MATERIAL -		FINISH -	WEIGHT -	SIZE A3	CAGE CODE 00779	DRAWING NO C-5749192	RESTRICTED TO -
CUSTOMER DRAWING			SCALE 1:1	SHEET 1 OF 1	REV 0		