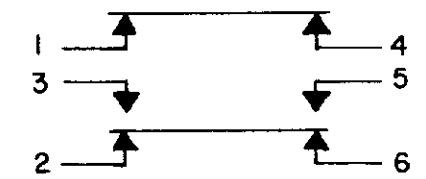
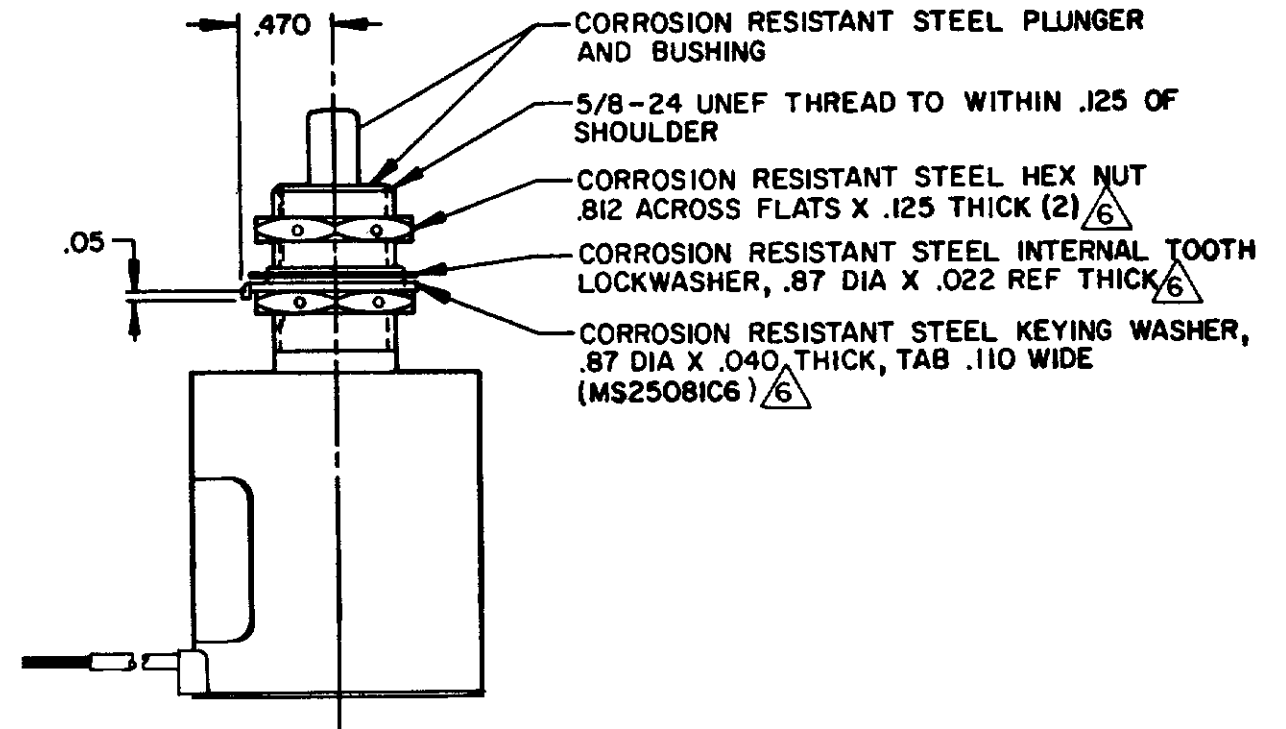
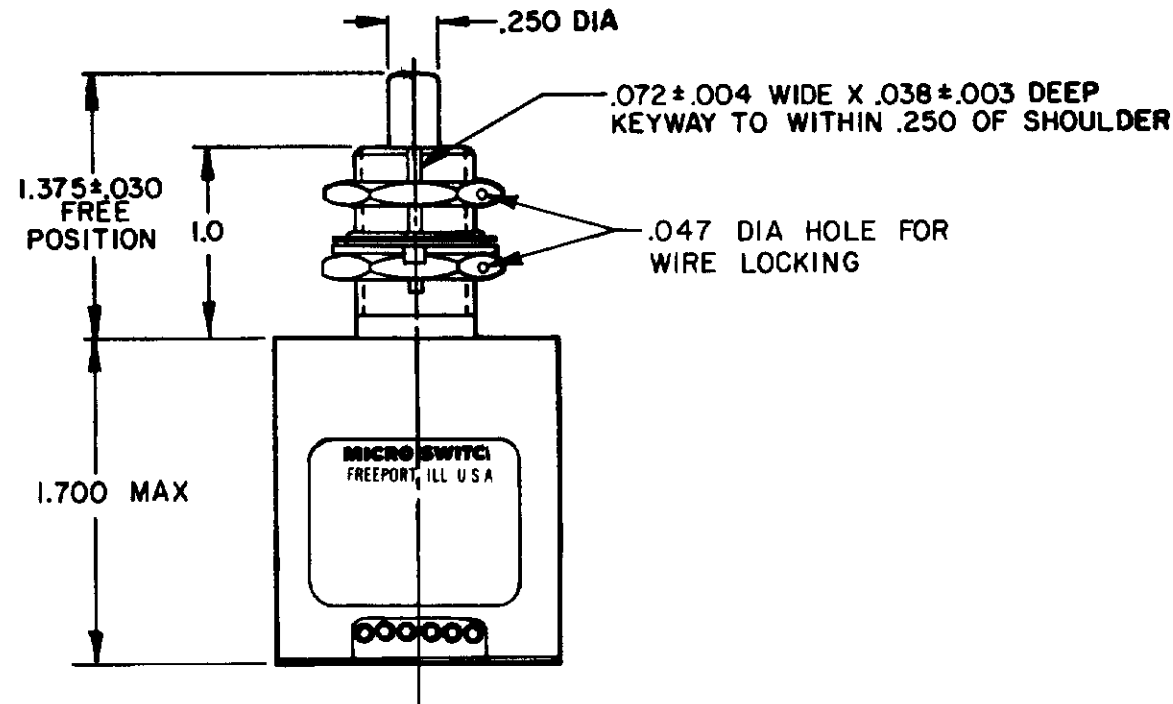
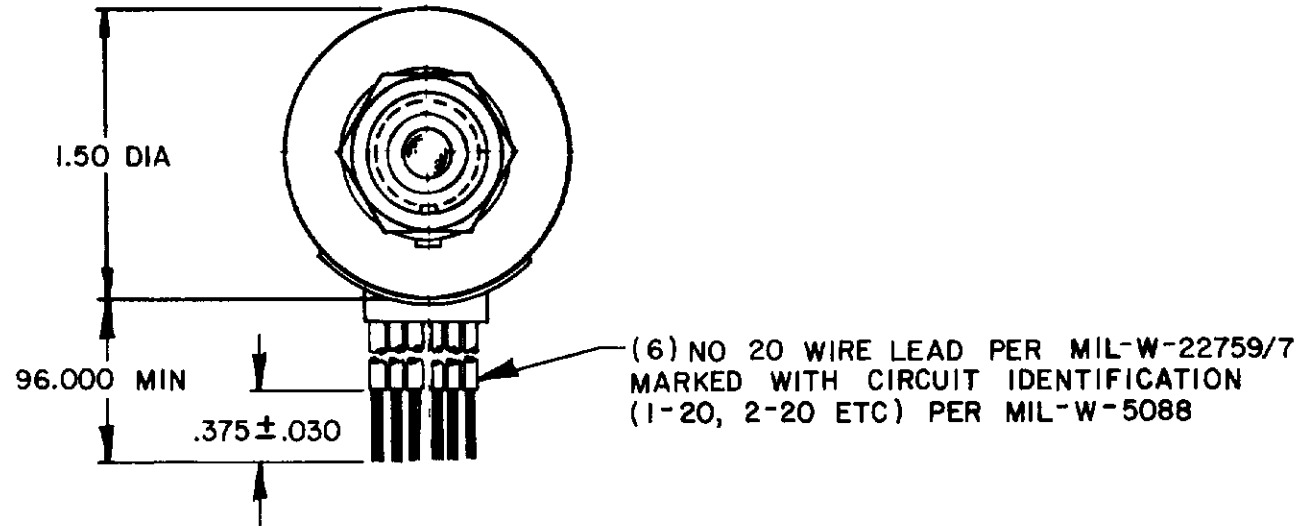


MICRO SWITCH
 FREEPORT ILLINOIS U.S.A.
 A DIVISION OF HONEYWELL
 FED MFG CODE 91989

SWITCH - ENCLOSED

CATALOG LISTING
104EN31-8



CIRCUIT DIAGRAM

M 104EN31-8

DRAWING NUMBER

ISSUE 20

21223

CHECK

REVISIONS

A CO4435H

WJM 4 FEB 90

B CO47573

JAP 7 AUG 80

C CO51246C

CJH 23 SEP 82

D CO68422

MAM 6 SEP 90

E CO-73927

JAR 2 DEC 92

CHECK

5 FEB 80

C.E.B.

CHECK

FO-32851-A

DRAWN

WJM

4 FEB 80

CHECK

FO-32851-A

DRAWN

WJM

4 FEB 80

CHECK

FO-32851-A

DRAWN

WJM

4 FEB 80

CHECK

THIS DRAWING COVERS A PROPRIETARY ITEM AND IS THE PROPERTY OF MICRO SWITCH, A DIVISION OF HONEYWELL. THIS DRAWING IS NOT TO BE COPIED OR USED WITHOUT THE APPROVAL OF MICRO SWITCH

THIRD ANGLE PROJECTION

SCALE FULL

DO NOT SCALE PRINT

TOLERANCES

APPLY TO DESIGN UNITS CONVERSIONS ARE ONLY FOR REFERENCE UNLESS NOTED TOLERANCES ARE 2

NO PLACES	DIM	TOL	DIM	TOL
ONE PLACE	IN	1/64	IN	0.0015
TWO PLACES	IN	0.0010	IN	0.0010
THREE PLACES	IN	0.0005	IN	0.0005

DESIGN UNITS SI METRIC US CUSTOMARY

RAW MATERIAL - COMMERCIAL STANDARD

MICRO SWITCH STANDARDS APPLY

DIMENSIONS ARE TO BE MET BEFORE PROTECTIVE COATINGS ARE APPLIED

WEIGHT 13.0 OZ MAX

CHARACTERISTICS	
OPERATING FORCE	6-12 LB
FULL OVERTRAVEL FORCE	30 LB MAX
RELEASE FORCE	5 LB MIN
PRETRAVEL	.070 MAX
DIFFERENTIAL TRAVEL	.045 MAX
OVERTRAVEL	.250 MIN

ELECTRICAL DATA	
CONTACT ARRANGEMENT	
SEE CIRCUIT DIAGRAM	
28 VDC	
LOAD	SEA LEVEL
RES	15
IND	10
MOTOR	5
LAMP	

NOTES

- 1 - CORROSION RESISTANT STEEL ENCLOSURE
 - 2 - SWITCH SEALED PER MIL-S-8805 SYMBOL 4
 - 3 - CIRCUIT IDENTIFICATION, CATALOG LISTING, AND DATE CODE ARE SHOWN ON NAMEPLATE
 - 4 - COINCIDENCE OF OPERATING AND RELEASING POINTS: .010 OF PLUNGER TRAVEL
 - 5 - NOTED ELECTRICAL RATINGS APPLY AS SPECIFIED IN MIL-S-8805/40-4 UP TO 185°F
- 6 - HARDWARE MAY BE PACKAGED UNASSEMBLED PER MIL-S-8805