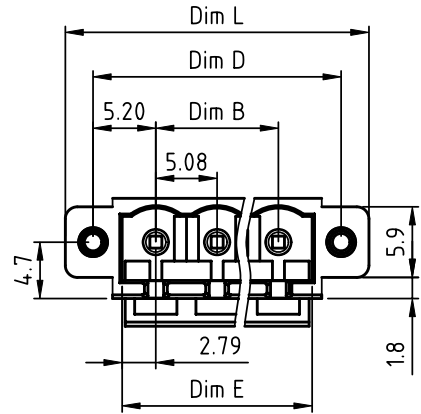


PRODUCT NUMBER	PITCH
KVxx50x4.00J0G	5.08 mm

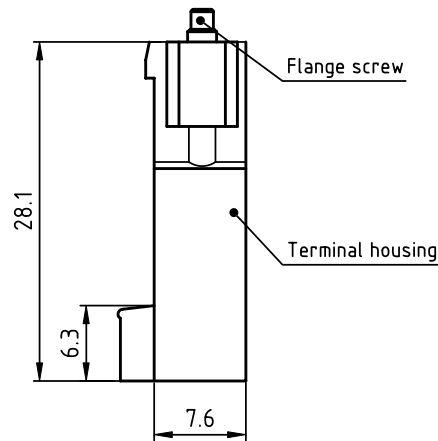
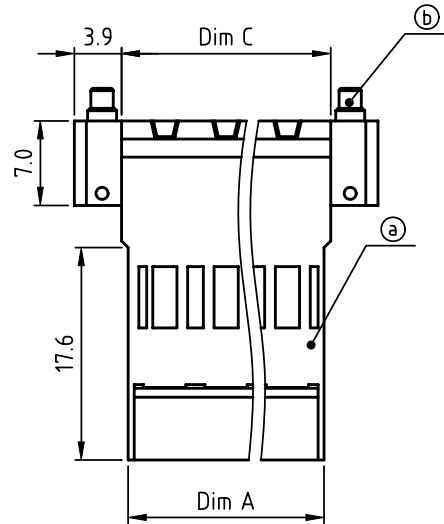


N = Number of poles
 Dim L=(N-1)x5.08+15.0
 Dim A=Nx5.08+1.0
 Dim B=(N-1)x5.08
 Dim C=Nx5.08+2.1
 Dim D=(N-1)x5.08+10.4
 Dim E=(N-1)x5.08+5.58

Poles	Dim L	Dim A	Dim B	Dim C	Dim D	Dim E
2-6p	±0.15	±0.10	±0.15	±0.15	±0.15	±0.15
7-12p	±0.20	±0.20	±0.20	±0.20	±0.20	±0.20
13-16p	±0.25	±0.30	±0.25	±0.25	±0.25	±0.25
17-24p	±0.35	±0.40	±0.35	±0.35	±0.35	±0.35

PART NO.: KV xx 50 x 4 00J0 G

		Color	RoHS compliant
Solid block	0	Black (RAL9005)	(lead<4%)
No. of poles	2	Red (RAL3001/D)	In copper Alloy
02	2 poles	3 Orange(RAL2011/P)	
03	3 poles	4 Yellow(RAL1018/A)	
...	...	5 Green(RAL6018/T)	
24	24 poles	6 Blue (RAL5015/A)	
		8 Grey(RAL7035/D)	
		9 White(RAL1102)	
		C Green(RAL6018/U)	

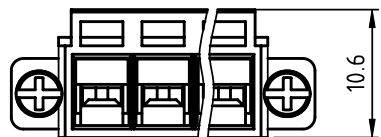


Material:

- Item①Terminal housing:Thermoplastic (UL94 V-0)
- Item②Flange screw: Brass, M2.5

Electrical

- Voltage rating: 300V
- Current rating: 10A
- Wire range: 1.5-2.5mm²
- Withstanding Voltage: 1.6KV
- Corresponding female crimp contacts:AR 5.08 series



mat'l. code		surface ASME Y14.5	tolerance ASME Y14.5	projection	product family
ltr ecn no dr date		tolerances unless otherwise specified			TERMINAL BLOCK
		angles	X.±0.5	MM	title TERMINAL BLOCK PLUGGABLE PLUG,FLANGE WITH SCREW CRIMP CONNECTION,HIGH PROFILE
		X°±1°	X.X±0.3	scale	
		dr	EVIN ZHONG 050414		dwg no
		enr	EVIN ZHONG 050414		sheet 1 of 1
		chr	HANKE FENG 050414		KVxx50x4.00J0G
		appd	SHI JUN 050414		A4
sheet index	revision sheet	A	1		type CUSTOMER Drawing