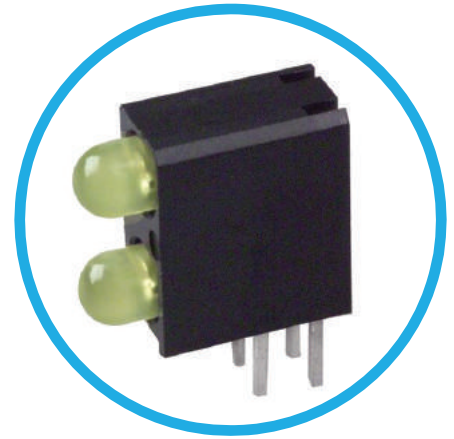


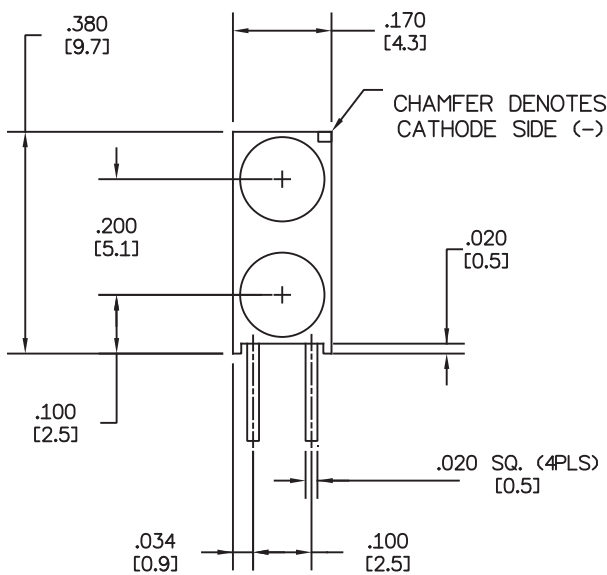


# 553 Series Circuit Board Indicators LED 2 Position Bi-Color 3mm

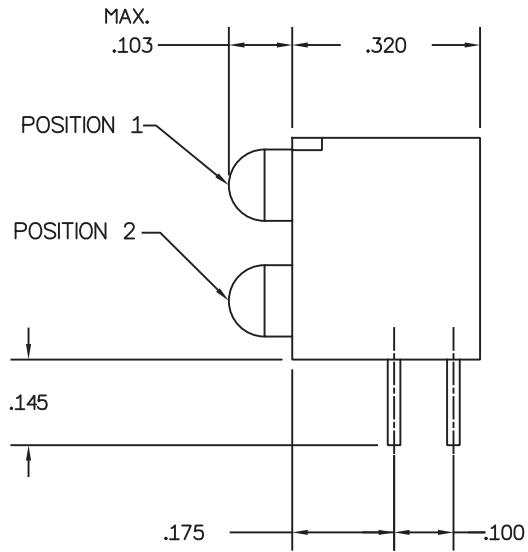


553 Series 2-position 3mm Circuit Board Mount LED Indicator Lights Arrays provide the most design flexibility and assembly efficiency.

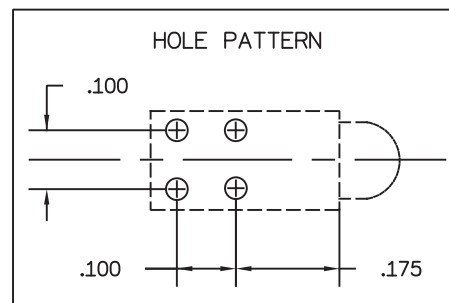
## Product Dimensions



All Dimensions in inches [mm]



All Dimensions in inches



All Dimensions in inches

## Ordering Data

### CATHODE SIDE

MODEL NO.	POSITION 1 LED P/N	POSITION 2 LED P/N	OUTPUT COLOR	(+)	(-) "CHAMFER"
553-0111	4303F1	4303F1	RED RED	RED ANODE	RED CATHODE
553-0122	4303F5	4303F5	GREEN GREEN	GREEN ANODE	GREEN CATHODE
553-0133	4303F7	4303F7	YELLOW YELLOW	YELLOW ANODE	YELLOW CATHODE
553-0711	4301F1/5	4301F1/5	RED/GRN RED/GRN	RED CATHODE/ GREEN ANODE	GREEN CATHODE/ RED ANODE
553-0744	4301F15/17	4301F15/17	YEL/GRN YEL/GRN	YELLOW CATHODE/ GREEN ANODE	GREEN CATHODE/ YELLOW ANODE

## Compliance and Approvals

