

NOTES:

1. MATERIALS AND FINISHES:

BODY = BRASS, NICKEL PLATED
 INNER CONTACT = BRASS, GOLD PLATED
 OUTER CONTACT = BeCu, GOLD PLATED
 SPRING = STAINLESS STEEL
 FERRULE = COPPER ALLOY, NICKEL PLATED
 BALL = STAINLESS STEEL
 INSULATORS = PTFE

2. ELECTRICAL:

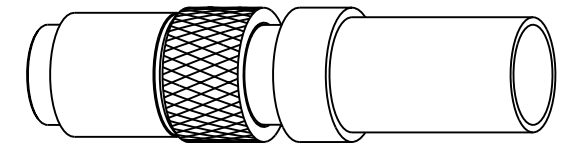
A. FREQUENCY RANGE = DC - 2.5 GHz
 B. RETURN LOSS = 30 dB MIN.

3. PHYSICAL:

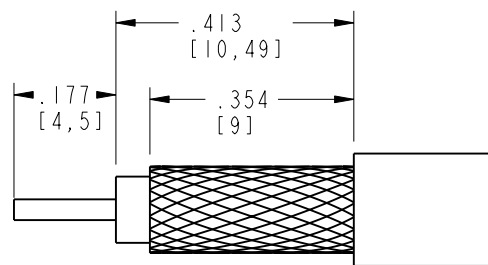
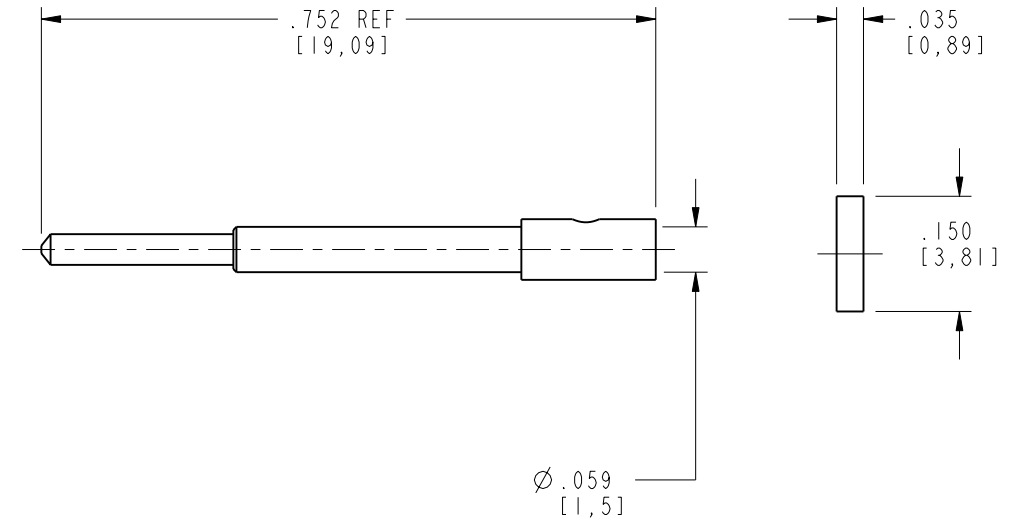
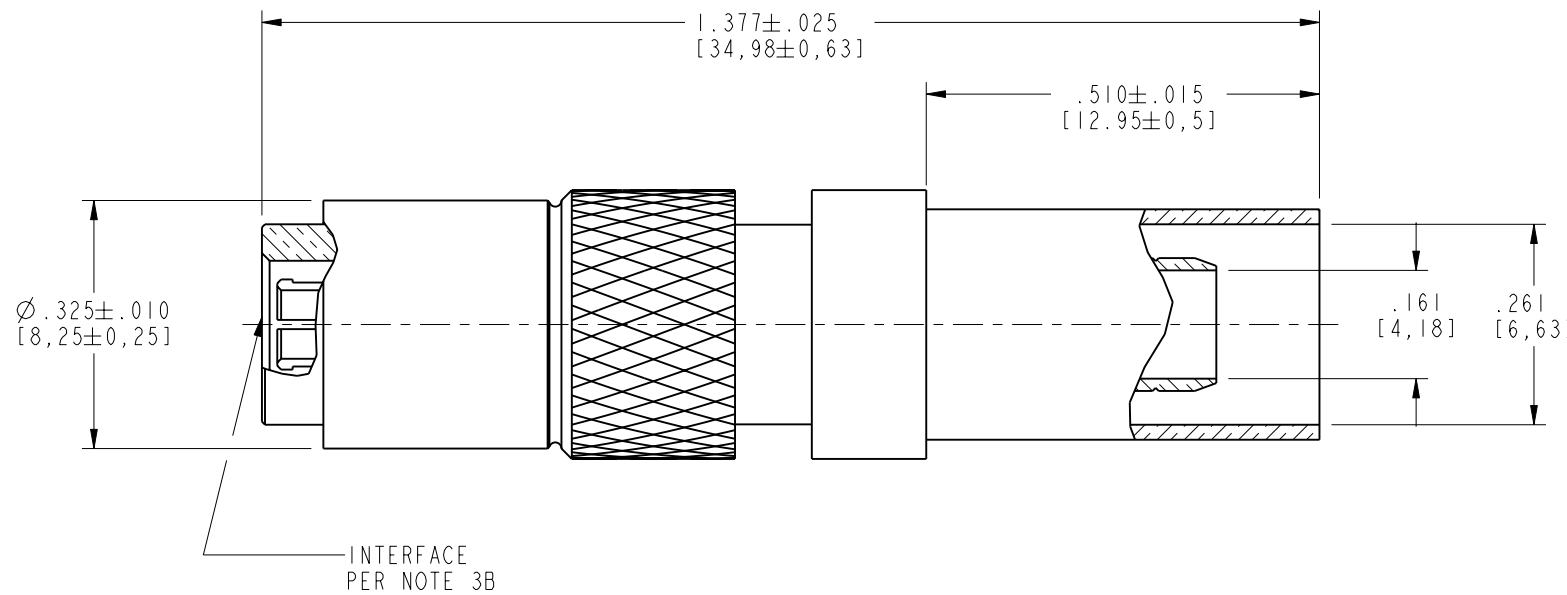
A. TEMPERATURE RANGE = -40°C TO +155°C
 B. INTERFACE = PER CECC 22230

4. CRIMPING TOOL P/N: .255 HEX X .300 LONG

102-799-48		REVISIONS			
DRAWING NO.	REV	DESCRIPTION	DATE	ECO	APPR
THIRD ANGLE PROJ.	A	RELEASE TO MFG.	6/10/99	43024	CPM
	C	Ø .059 [1,5] WAS Ø .039 [1,00]	2/21/02	43681	CPM
	D	ADDED: DISC, NOTES 2 & 3	4/16/02	44022	KJC



SCALE 2.000



RECOMMENDED CABLE STRIPPING DIMENSIONS
 SCALE 3.000

CUSTOMER OUTLINE DRAWING

ALL OTHER SHEETS ARE FOR INTERNAL USE ONLY

UNLESS OTHERWISE SPECIFIED, DIMENSIONS ARE IN INCHES AND TOLERANCES ARE: 0.5 - 6mm ±0.2mm 6 - 30mm ±0.4mm 30 - 120mm ±0.6mm	MATERIAL	DRAWN C. McGRATH	DATE 07-Feb-01	TITLE 1.0 / 2.3 PUSH PULL PLUG FOR LMR240 CABLE	Amphenol Amphenol Corporation Communication and Network Products Division Danbury, CT U.S.A. 06810
	REFERENCE GEN# 102-799-48_ASSY	ENGINEER O. BARTHELME	DATE 07-Feb-01		
NOTICE - These drawings, specifications, or other data (1) are, and remain the property of Amphenol Corp. (2) must be returned upon request; and (3) are confidential and not to be disclosed to any person other than those to whom they are given by Amphenol Corp. The furnishing of these drawings, specifications, or other data by Amphenol Corp., or to any other person to anyone for any purpose is not to be regarded by implication or otherwise in any manner licensing, granting rights or permitting such holder or any other person to manufacture, use or sell any product, process or design, patented or otherwise, that may in any way be related to or disclosed by said drawings, specifications, or other data.		CAD FILE I:\1023\102-799-48	CODE ID 74868	DWG SIZE B	DRAWING NO. 102-799-48
					REV D