

Features

- ◆ Fully encapsulated low profile plastic case
- ◆ Ultra wide 4:1 input voltage range
- ◆ Operating temperature range
-40°C to +85°C
- ◆ I/O isolation 2500 VDC (functional)
- ◆ Excellent efficiency up to 92 %
- ◆ Input filter to meet EN 55032, class A
- ◆ Optional DIN-Rail mount adapter
- ◆ No minimum load required
- ◆ Input polarity protection
- ◆ Power good LED indicator
- ◆ Remote On/Off
- ◆ 3-year product warranty



The TMDC 60 Series is a range of encapsulated high performance DC/DC converter modules with ultra wide input voltage ranges. With a very high efficiency of up to 92% and the use of highest grade components these 60 W converters can be operated in an ambient temperature range of -40°C up to 70°C with full load and up to 85°C with 50% load reduction. The EMC immunity is aligned for industrial applications and DIN-rail mount adapters are available as option. Input polarity protection remote On/Off function and power good LED indicator makes this unit to a practical and reliable DC source for any application - Fit and forget!

Models

Order code	Input voltage range	Output voltage	Output current max.	Efficiency
TMDC 60-2411	9 – 36 VDC (nominal 24 VDC)	5.1 VDC	12'000 mA	90 %
TMDC 60-2412		12 VDC	5'000 mA	91 %
TMDC 60-2415		24 VDC	2500 mA	91 %
TMDC 60-2418		48 VDC	1250 mA	91 %
TMDC 60-4811	18 – 75 VDC (nominal 48 VDC)	5.1 VDC	12'000 mA	91 %
TMDC 60-4812		12 VDC	5'000 mA	92 %
TMDC 60-4815		24 VDC	2500 mA	91 %
TMDC 60-4818		48 VDC	1250 mA	91 %

Input Specifications

Input current at no load (nominal input voltage)	- 24 Vin	5.1 & 12 VDC models: 100 mA typ. 24 VDC models: 110 mA typ. 48 VDC models: 60 mA typ.
	- 48 Vin	5.1 VDC models: 40 mA typ. 12 & 24 VDC models: 60 mA typ. 48 VDC models: 50 mA typ.
Surge voltage (100 msec. max.)		24 Vin models: 50 V max. 48 Vin models: 100 V max.
Start up time		50 ms max.
Start-up voltage		24 Vin models: 9 VDC max. 48 Vin models: 18 VDC max.
Under voltage lockout		24 Vin models: 7.5 VDC typ. 48 Vin models: 16 VDC typ.
EMI Conducted		EN 55032 class A, FCC part 15 class A without external components
EMI Radiated		EN 55032 class A, FCC part 15 class A with external components
EMC immunity	- ESD (electrostatic discharge)	EN 55024 EN 61000-4-2, air ± 8 kV, contact ± 4 kV, perf. criteria A
	- Radiated immunity	EN 61000-4-3, 10 V/m, perf. criteria A
	- Fast transient / surge	EN 61000-4-4, ± 2 kV, perf. criteria A
	- Conducted immunity	EN 61000-4-5, ± 2 kV, perf. criteria A
	- Magnetic field immunity	EN 61000-4-6, 10 Vrms, perf. criteria A
		EN 61000-4-8, 30 A/m, perf. criteria A

Output Specifications

Voltage set accuracy		± 2.0 % max.
Regulation	- Input variation Vin min. to Vin max.	1.5 % max.
	- Load variation 0 - 100 %	1.0 % max.
Minimum load		not required
Temperature coefficient		± 0.02 %/K
Ripple and noise (20 MHz Bandwidth)	5.1 VDC models:	100 mVpk-pk. typ.
	12 & 24 VDC models:	150 mVpk-pk typ.
	48 VDC models:	200 mVpk-pk. typ.
Transient response (alignment to 1% at load step change 75% to 100%)	- Recovery time	250 μ s typ.
	- Deviation	± 5 % max.
Over voltage protection		120 % of Vout (Zener diode clamp)
Output current limitation		at 150 % of Iout max.
Short circuit protection		hiccup mode, automatic recovery
Capacitive load	5.1 VDC models:	20'400 μ F max.
	12.0 VDC models:	3'540 μ F max.
	24.0 VDC models:	890 μ F max.
	48.0 VDC models:	220 μ F max.

All specifications valid at nominal input voltage, full load and +25°C after warm-up time unless otherwise stated.

General Specifications

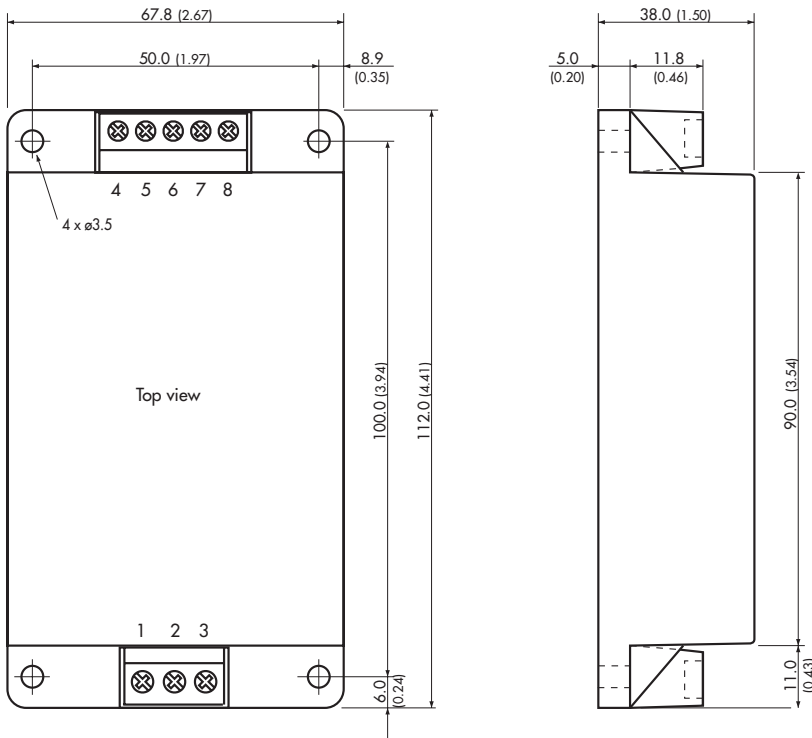
Temperature ranges	<ul style="list-style-type: none"> - Operating ambient with natural convection (20 LFM) - IEC/EN/UL60950-1 approved ambient - Case temperature - Storage 	-40°C to +85°C (see load derating) +60°C max. (without derating) +95°C max. -50°C to +125°C
Load derating (with natural convection 20 LFM)		3.3 %/K above +70°C
Thermal impedance	- Natural convection 20 LFM	3.5 K/W
Humidity (non condensing)		95 % rel H max.
Reliability, calculated MTBF (MIL-HDBK-217F, at +25°C, ground benign)		242'029 h
Isolation voltage (60 sec.)	- Input/Output	2500 VDC
Isolation capacitance	- Input/Output	3000 pF max. (100 kHz, 1 V)
Isolation resistance	- Input/Output	>1000 Mohm (500 VDC)
Altitude during operation		2'000 m max.
Switching frequency		210 kHz typ.
Remote On/Off	<ul style="list-style-type: none"> - On: - Off: - Off idle current: 	3.5 to 12 VDC to on terminal 1 or open circuit. 0 to +1.2 VDC on terminal 1 reference to -Vin 3 mA typ.
Safety standards	<ul style="list-style-type: none"> - CB test report - UL test certificat - Certification documents 	UL/cUL 60950-1 2nd edition, IEC 60950-1:2005 (2nd edition)+Am1:2009 +Am2:2013, EN 60950-1:2006+A11:2009+A1: 2010+A12:2011+A2:2013 UL/cUL 60950-1 2nd edition, CSA C22.2 No. 60950-1-07, 2nd Ed. www.tracopower.com/overview/tmdc60

Physical Specifications

Casing material		plastic resin (UL 94V-0 rated)
Weight		300 g (10.57 oz)
Environmental compliance	<ul style="list-style-type: none"> - Reach declaration - RoHS 	www.tracopower.com/products/reach-declaration.pdf directive 2011/65/EU

All specifications valid at nominal input voltage, full load and +25°C after warm-up time unless otherwise stated.

Outline Dimensions

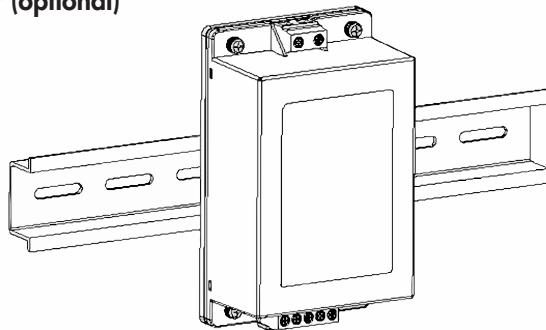


Terminal connection

Pin	Single
1	Remote On/Off
2	-Vin (GND)
3	+Vin (Vcc)
4	NC
5	+Vout
6	NC
7	-Vout
8	NC

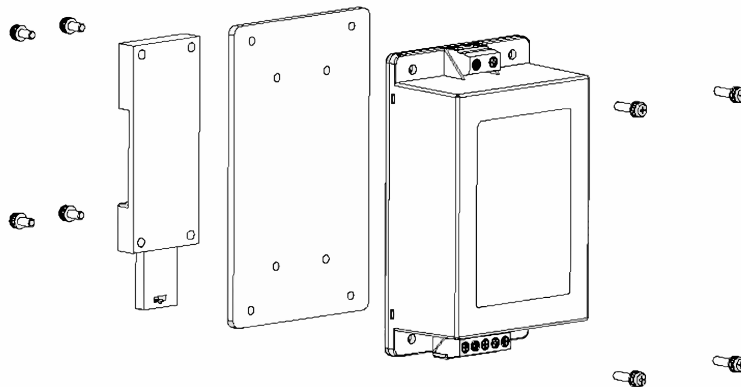
Dimensions in [mm], () = Inch
 Terminals: Wires 1.5mm² max.
 Recommended tightening torque:
 0.5 to 0.7 Nm (4.5 to 6.2 lb.in.)
 Case tolerances: ±0.25 (±0.01)

DIN-Rail mount adapter (optional)



Order code: TMP-MK2

Weight: 59 g (2.08 oz) without converter



Specifications can be changed without notice! Make sure you are using the latest documentation, downloadable at www.tracopower.com