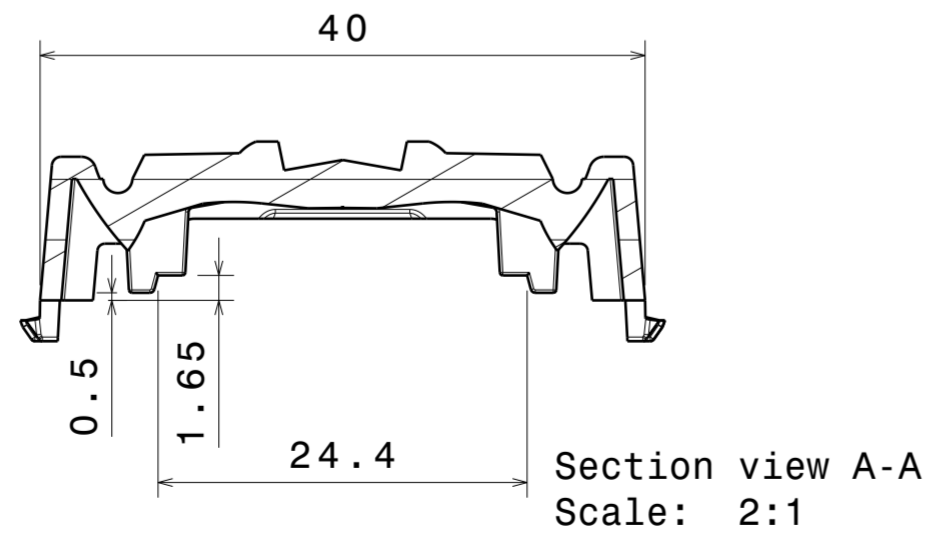
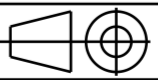


Isometric view  
Scale: 1:1



Section view A-A  
Scale: 2:1

INDEX	PART NO	DESCRIPTION	MATERIAL	COLOUR
1	F15756	LINNEA-0	PC	clear
<small>Tolerances if not otherwise shown According to DIN ISO 2768-1 Linear measures: Up to 30mm class M, otherwise class C. According to DIN ISO 2768-2 Form and position: class L</small>		<b>LEDiL</b> Ledil Oy Salorankatu 10 FIN 24240 SALO Finland		
FIRST ANGLE PROJECTION: 		DRAWING TITLE <b>F15756_LINNEA-0</b>		
<small>This drawing is the property of LEDiL Oy. It may not be reproduced, copied or communicated without a written agreement with LEDiL Oy.</small>		SIZE <b>A2</b>	PART NUMBER <b>F15756</b>	
SCALE <b>1:1</b>		WEIGHT <b>-</b>	SHEET <b>1/1</b>	