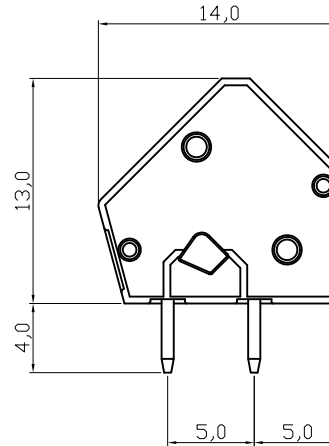
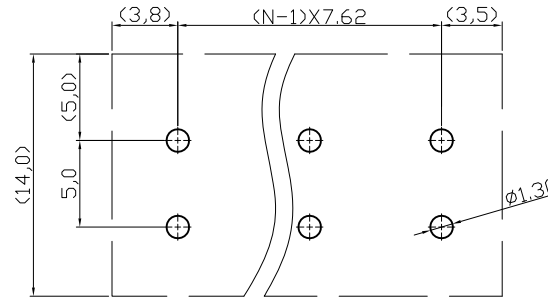


N=Number of contacts



**Material**

Terminal body (Contact pin): Brass  
 Wire guard: Stainless steel  
 Surface of solder tail: Tin plated  
 Insulator (housing): Thermoplastic (UL94V-0)

**Electrical**

Voltage rating: 300VAC  
 Current rating: 15A  
 Wire range:  
 Solid wire(AWG): 12-28  
 Stranded wire(AWG): 12-28  
 Pull force:  
 Screw:  
 Wire strip length: 6-7mm  
 Withstanding Voltage: 1.6KV  
 Operating temperature: -40°C to +115°C  
 Soldering temperature: 250°C±10°C/5 Sec  
 Safety approval : us

**RoHS compliant**

Scale	1:1						Date	Name	Customer-No.
TOLERANCE						Drawn	29.07.2009	Dean	ASSMANN WSW-No. <b>A-TB762-HGxx</b>
X.	±0.50					Approved	29.07.2009	Hellwig	
X.X	±0.30								
X.XX	±0.10								
DIM	TOL								Drawing-No.
X.°	±1°								<b>ASS 3606 CO</b> rev01
X.X°	±X°	①	Drawn	29.07.2009	Dean			Sheet	
Angle	TOL	Id.	Modification	Date	Name			Replace	