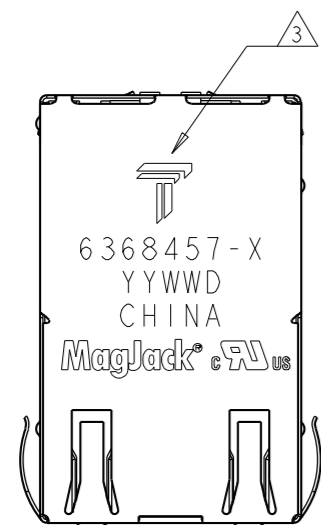


THIS DRAWING AND THE SUBJECT MATTER SHOWN THEREON ARE CONFIDENTIAL AND THE PROPERTY OF BEL/STEWART/TRP CONNECTOR AND SHALL NOT BE REPRODUCED, COPIED, OR USED IN ANY MANNER WITHOUT THE WRITTEN CONSENT OF TRP CONNECTOR.

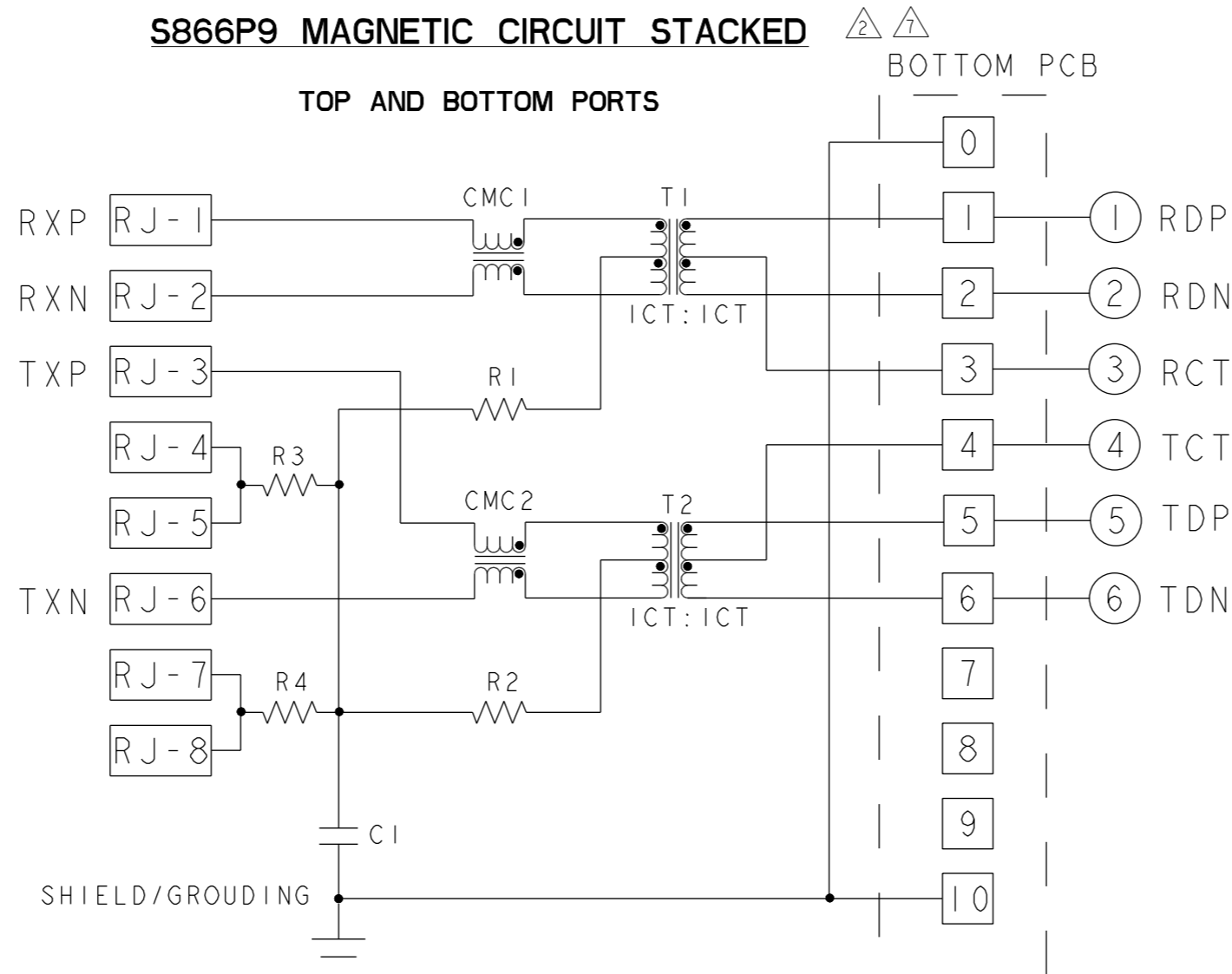
PRODUCT MAY BE PROTECTED BY ONE OR MORE OF THE FOLLOWING US PATENTS:  
 5736910 5939955 6425781 6428361 6554638 6840817 7123117  
 7429195 7717749 7808751 6217391 6149050 7924130

REVISIONS				
P	LYR	DESCRIPTION	DATE	APPD
F		EC-1411035 COMPANY LOGO CHANGE	19JAN2015	RL TY

### S866P9 MAGNETIC CIRCUIT STACKED



VIEW R  
SCALE 3:1



R1 - R4 = 75 Ohms, 1/16W, 5% RESISTORS  
 C1 = 1000pF, 2KV DECOUPLING CAP

- MATERIALS:  
 PLASTIC HOUSING: BLACK, THERMOPLASTIC FLAMMABILITY RATING UL 94V-0  
 SHIELD: BRASS, PLATED WITH 0.76 um SEMI-BRIGHT NICKEL, POST DIPPED WITH 2.54 um MIN SAC SOLDER ON SOLDER TAILS  
 CONTACTS: PHOSPHOR BRONZE, 1.27 um MIN OVERALL NICKEL UNDER PLATE WITH SELECT 1.27 um MIN GOLD AT MATING INTERFACE AND 2.54 um MIN MATTE TIN ON SOLDER TAILS  
 LED: DIFFUSED EPOXY LENS, CARBON STEEL LEAD FRAME  
 LEADS PREPLATED WITH 2.03 um MIN SILVER OVER 1.02 um MIN NICKEL UNDERPLATE OVER 1.02 um MIN COPPER UNDERPLATE. POST-PLATED WITH 2.54 um MIN MATTE TIN AND/OR SAC SOLDER DIP OR PURE TIN SOLDER DIP

- MAGNETICS  
 APPLICATION: 10/100 BASE-T  
 IMPEDANCE: 100 OHMS  
 TURNS RATIO (CHIP:CABLE): TX = 1:1, RX = 1:1  
 OPEN CIRCUIT INDUCTANCE (OCL): 350uH MIN @100kHz, 0.1VRMS, 8mADC BIAS FROM 0°C TO 70°C, TX AND RX  
 PERFORMANCE @ 25°C:  
 INSERTION LOSS (IL): 1.1dB MAX FROM 0.5MHz TO 100MHz  
 RETURN LOSS (RL): 18dB MIN FROM 0.5MHz TO 30MHz  
 18-20LOG(f/30)dB MIN FROM 30.1MHz TO 60MHz  
 12dB MIN FROM 60.1MHz TO 80MHz  
 CROSSTALK ATTENUATION: 35dB MIN FROM 0.5MHz TO 40MHz  
 33-20LOG(f/50)dB MIN FROM 40.1MHz TO 100MHz  
 COMMON MODE REJECTION RATIO (CMRR): 30dB MIN FROM 0.5MHz TO 100MHz  
 ISOLATION VOLTAGE: COMPLIES WITH IEEE802.3 2002, PARA 23.5.1.1, ITEM B.

- TRP LOGO, PART NUMBER, DATE CODE, COUNTRY OF ORIGIN, AGENCY APPROVAL MARKING LOGO LOCATED IN THE APPROXIMATE AREA SHOWN. DATE CODE YY IS YEAR, WW IS WORK WEEK, D IS DAY OF WEEK, WITH SUNDAY=1

- OPERATING TEMPERATURE: FROM 0° C TO + 70° C.

- RJ45 CAVITY COMFORMS TO FCC RULES AND REGULATION PART 68 SUBPART F.

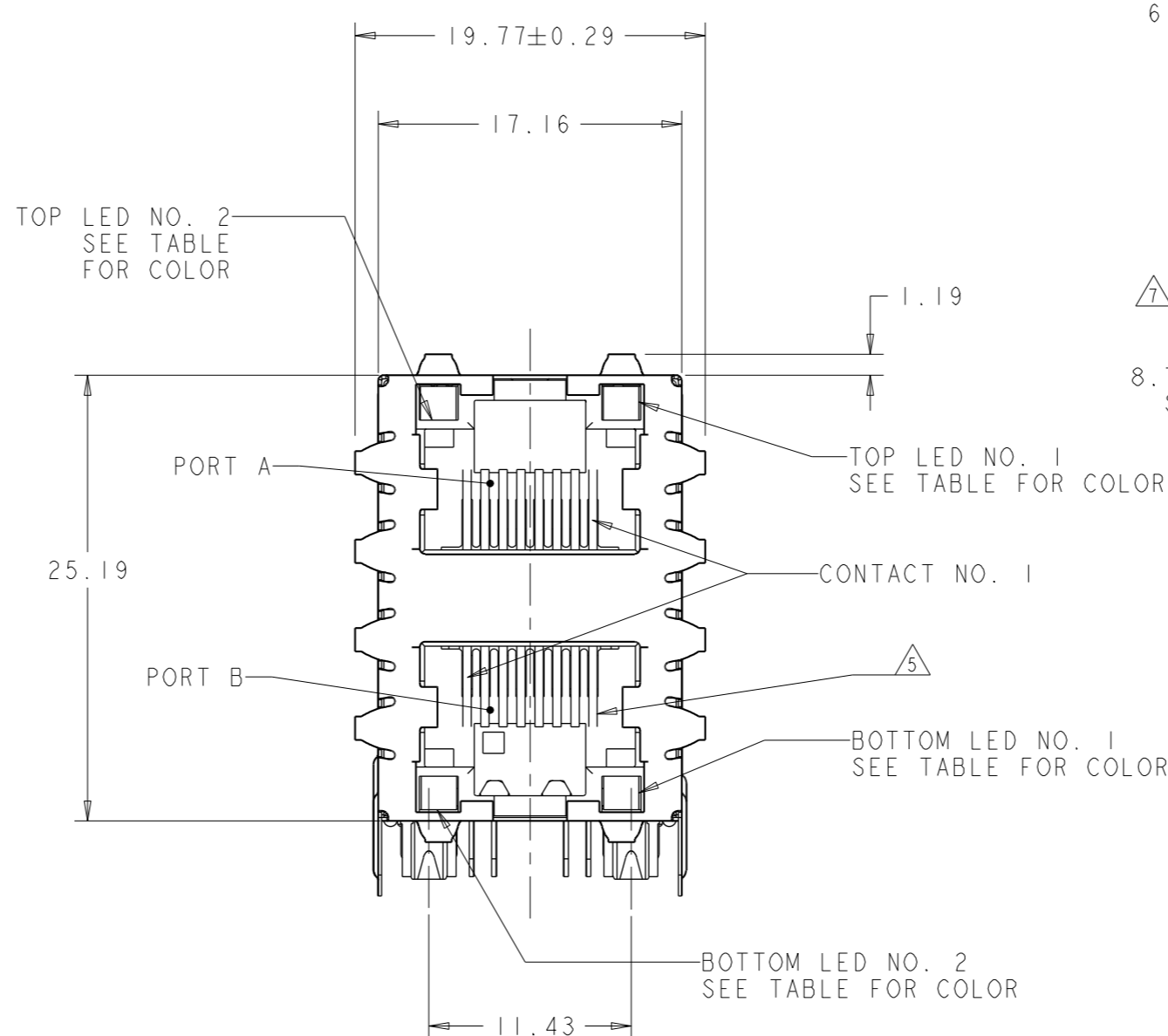
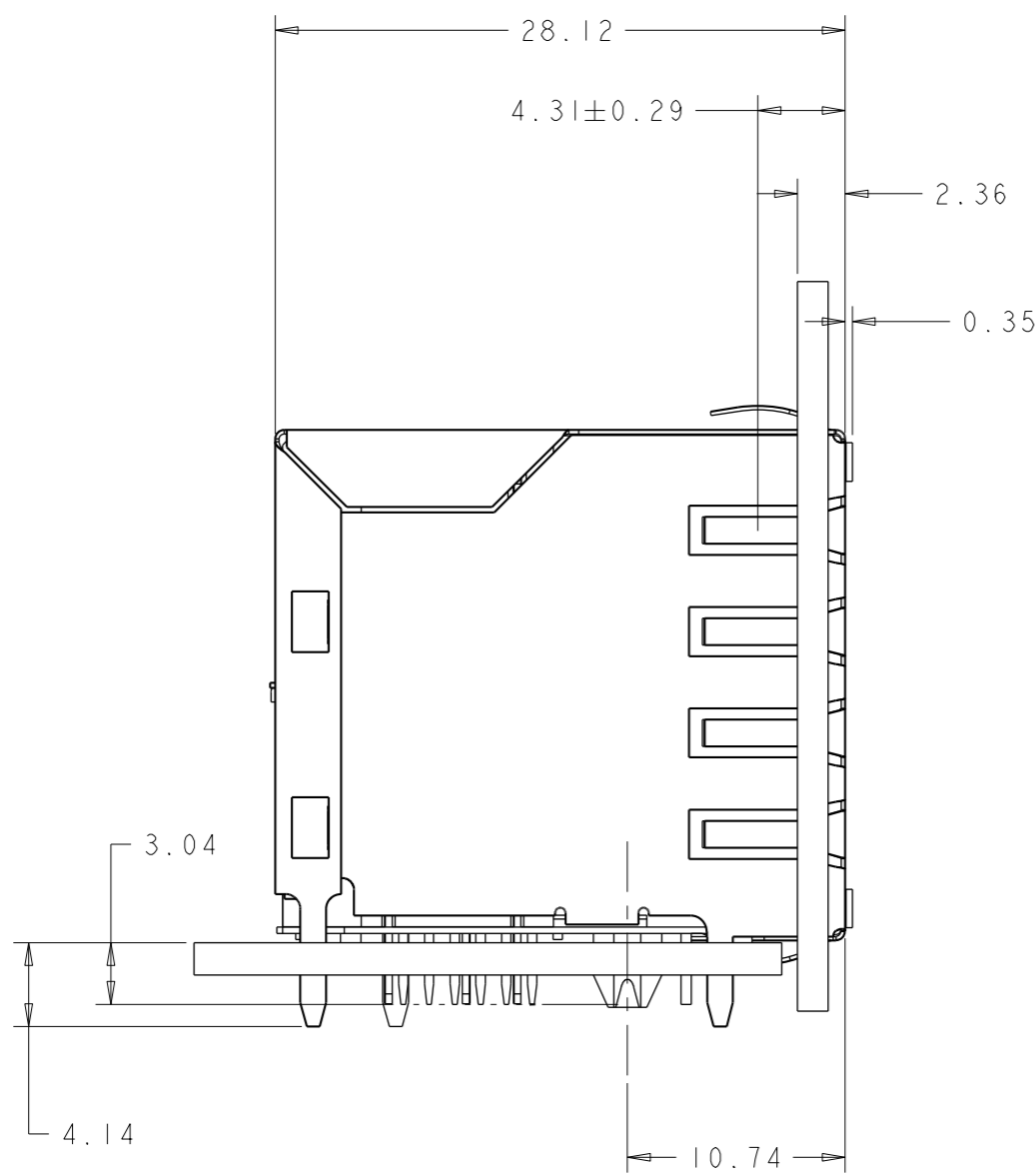
- LED'S COMPLIANT WITH IEC60825-1 SAFETY OF LASER PRODUCTS WHEN OPERATED AT CURRENT OF 20 mA MAX. LED IS DRIVEN WITH CONSTANT CURRENT AT APPROX 20mA. LED COLOR:

DOMINANT WAVELENGTH (λD): GREEN 568 nm TYP @IF=20mA  
 FORWARD VOLTAGE (VF): GREEN 2.2V TYP @ IF=20mA

DOMINANT WAVELENGTH (λD): YELLOW 588 nm TYP @IF=20mA  
 FORWARD VOLTAGE (VF): YELLOW 2.1V TYP @ IF=20mA

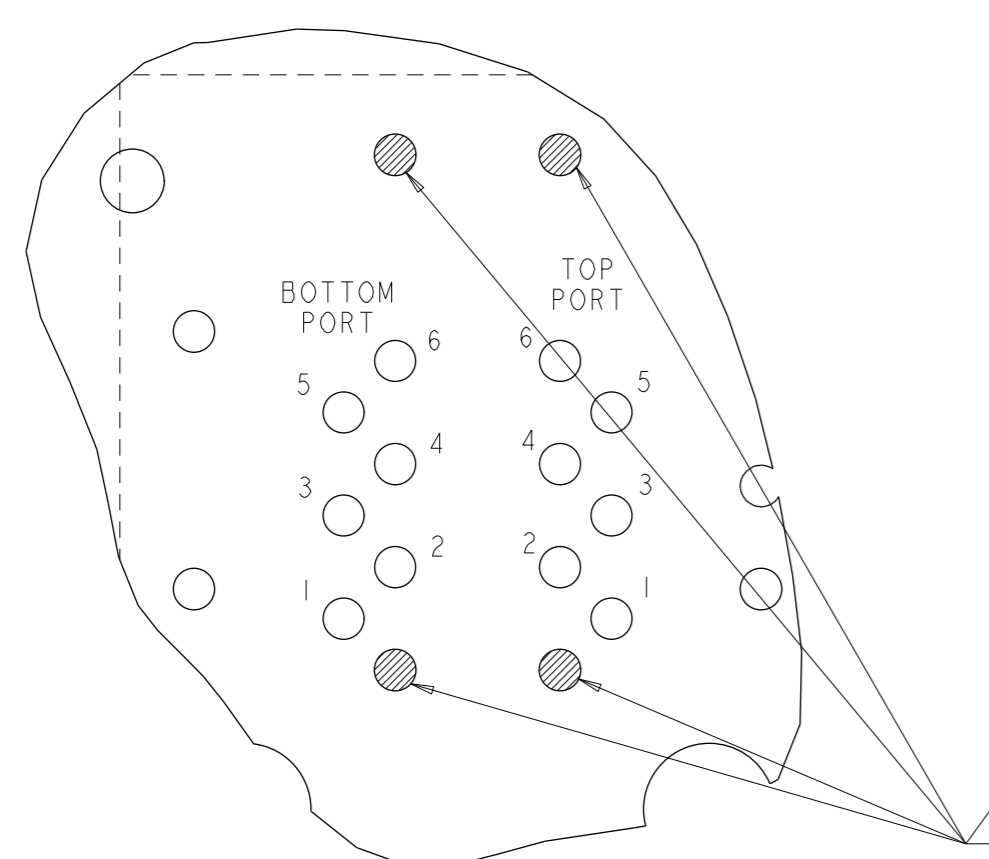
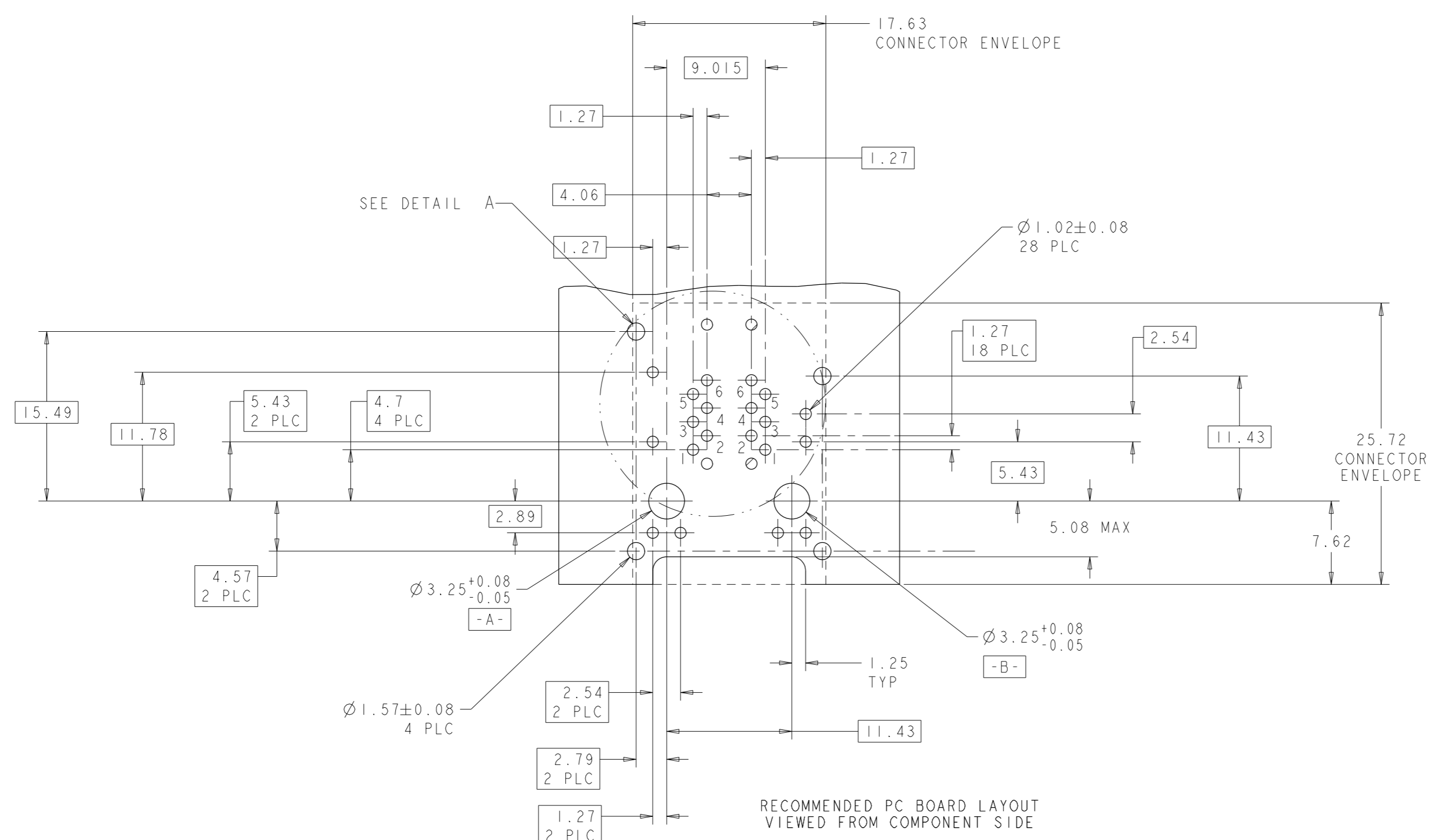
- INDICATED CONNECTIONS ARE FOR HUB CONFIGURATION. THE MAGNETICS ARE SYMMETRICAL AND SUPPORT AUTO-MDI/MDIX.

- THESE PARTS ARE RECOMMENDED FOR WAVE SOLDERING PROCESS, PEAK SOLDERING TEMPERATURE IS 260°C MAX, 10 SECONDS MAX.



	GRN/YEL	GRN/YEL	GRN/YEL	GRN/YEL	6368457-4
	GREEN	YELLOW	GREEN	YELLOW	6368457-3
OBSOLETE	YELLOW	GREEN	GREEN	YELLOW	6368457-2
	GREEN	GREEN	GREEN	GREEN	6368457-1
	BOTTOM LED NO. 2	BOTTOM LED NO. 1	TOP LED NO. 2	TOP LED NO. 1	PART NO.

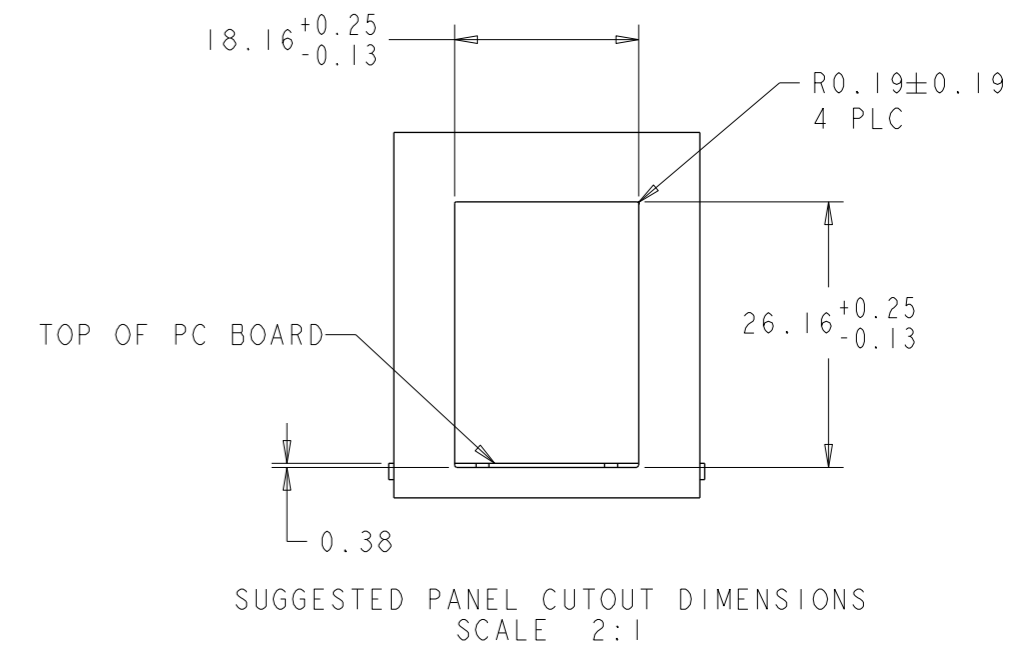
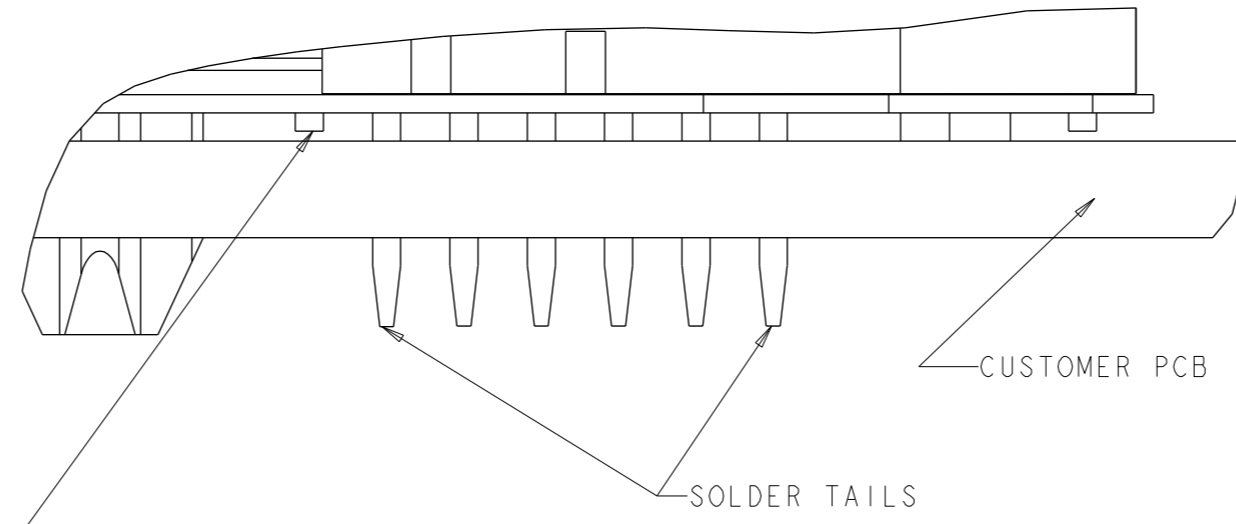
THIS DRAWING IS A CONTROLLED DOCUMENT.		DRN C. GILLETTE 30DEC2005	<p>trp CONNECTOR DONGGUAN CHINA</p>
DIMENSIONS: mm		CHK P. D'AMATO 30DEC2005	
TOLERANCES UNLESS OTHERWISE SPECIFIED:		APPD S. FLICKINGER 30DEC2005	DESC 2X1, S866P9 10/100 CIRCUIT, WITH LED
0 PLC ±0.25	1 PLC ±0.25	MODEL NAME MAGJACK	SIZE A1
2 PLC ±0.25	3 PLC ±	PRODUCT SPEC 108-2100	SCALE NTS
4 PLC ±	ANGLES ±	APPLICATION SPEC	RESTRICTED TO CUSTOMER DRAWING
		STAGNON-PoE	DRAWING NO. 6368457
		CUSTOMER DRAWING	SHEET 1 OF 3
			REV F



DETAIL A  
SCALE 8:1

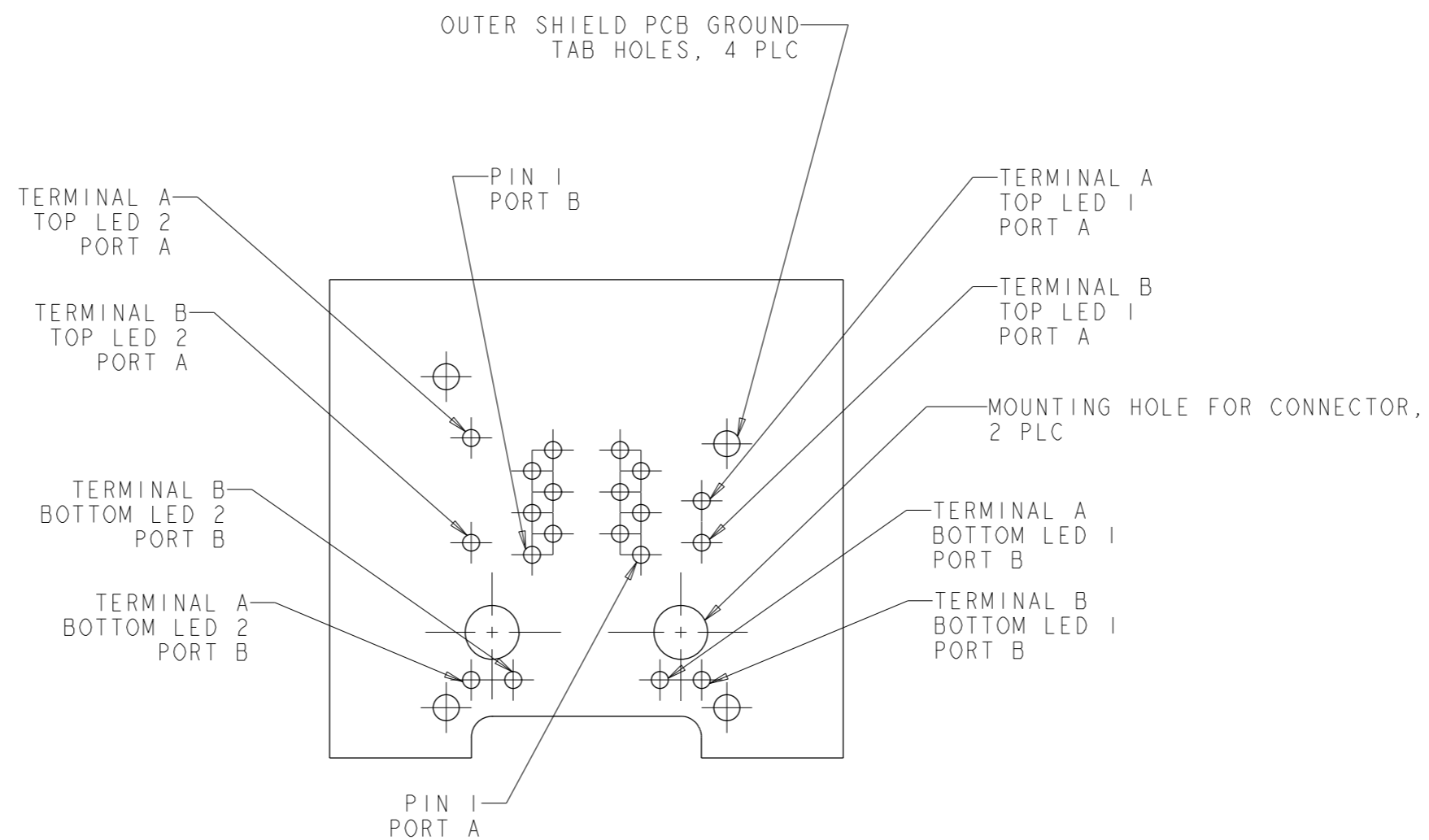
PIN #0 & PIN #10 ON MOD JACK ARE STUB PINS WITH LENGTH SIMILAR TO PCB STANDOFF HEIGHT. PRECAUTIONS SHOULD BE TAKEN IN PCB DESIGN TO GUARD AGAINST SHORTING TRACES TO STUB PINS.

RECOMMENDED PC BOARD LAYOUT  
VIEWED FROM COMPONENT SIDE

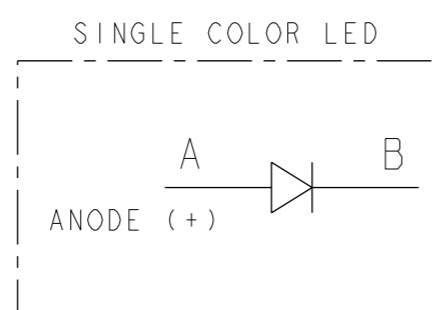
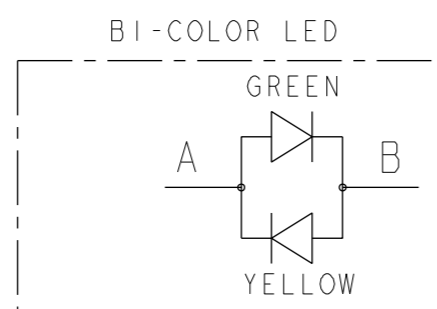



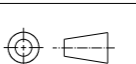
SUGGESTED PANEL CUTOUT DIMENSIONS  
SCALE 2:1

THIS DRAWING IS A CONTROLLED DOCUMENT.		DRN C. GILLETTE 30DEC2005	 DONGGUAN CHINA
DIMENSIONS: mm		CHK P. D'AMATO 30DEC2005	
TOLERANCES UNLESS OTHERWISE SPECIFIED:		APPR S. FLICKINGER 30DEC2005	DESC 2X1, S866P9 10/100 CIRCUIT, WITH LED
0 PLC ±0.25	1 PLC ±0.25	MODEL NAME MAGJACK	SIZE A1
2 PLC ±0.25	3 PLC ±	PRODUCT SPEC 108-2100	CAGE CODE 6368457
4 PLC ±	ANGLES ±	APPLICATION SPEC	RESTRICTED TO
		CUSTOMER DRAWING	SCALE NTS
			SHEET 2 OF 3
			REV F



LED HOLE DESIGNATIONS VIEWED FROM COMPONENT SIDE  
SCALE 4:1



THIS DRAWING IS A CONTROLLED DOCUMENT.		DRW C. GILLETTE	30DEC2005	 <b>trp</b> CONNECTOR a bel group DONGGUAN CHINA
DIMENSIONS: mm		CHK P. D'AMATO	30DEC2005	
TOLERANCES UNLESS OTHERWISE SPECIFIED:		APPR S. FLICKINGER	30DEC2005	
 0 PLC ±0.25 1 PLC ±0.25 2 PLC ±0.25 3 PLC ± 4 PLC ± ANGLES ± APPLICATION SPEC -	MODEL NAME MAGJACK	DESC 2X1, S866P9 10/100 CIRCUIT, WITH LED	SIZE A1	RESTRICTED TO -
PRODUCT SPEC 108-2100	CUSTOMER DRAWING	SCALE NTS	DRAWING NO. C=6368457	SHEET 3 OF 3