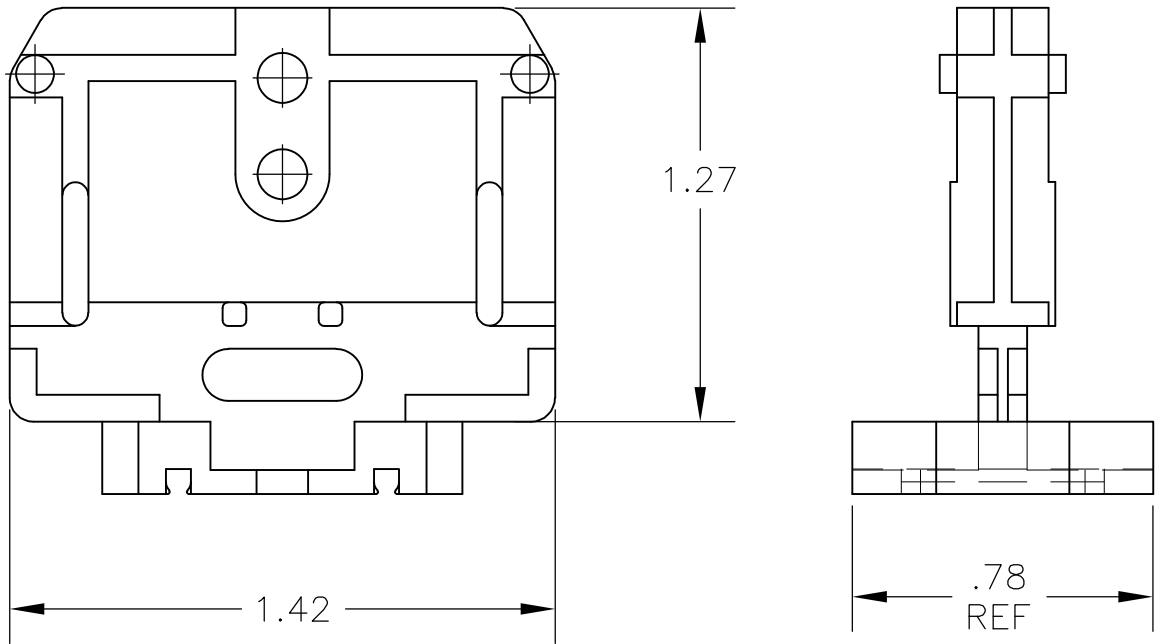


LOC	DIST	REVISIONS					
—	—	P	LTR	DESCRIPTION	DATE	DWN	APVD
			A	REDRAWN PER ECO-08-023052	30SEP08	HMR	SM

1 MATERIAL: NYLON



THIS DRAWING IS UNPUBLISHED. ALL INTERNATIONAL RIGHTS RESERVED. BY TYCO ELECTRONICS CORPORATION.

DIMENSIONS: INCHES TOLERANCES UNLESS OTHERWISE SPECIFIED: 0 PLC ± - 1 PLC ± - 2 PLC ± - 3 PLC ± - 4 PLC ± - ANGLES ± -	DWN RAGHAVENDRA 30SEP08	MATERIAL	FINISH —	
	CHK MACE SAM 30SEP08	Tyco Electronics Corporation Harrisburg, PA 17105-3608		
APVD MACE SAM 30SEP08	NAME HD END SECTION FLAT BASE 600V			
PRODUCT SPEC —	SIZE	CAGE CODE	DRAWING NO	RESTRICTED TO
APPLICATION SPEC —	A4	00779	C-4-1437390-3	—
WEIGHT —	CUSTOMER DRAWING		SCALE 2:1	SHEET 1 OF 1
				REV A