

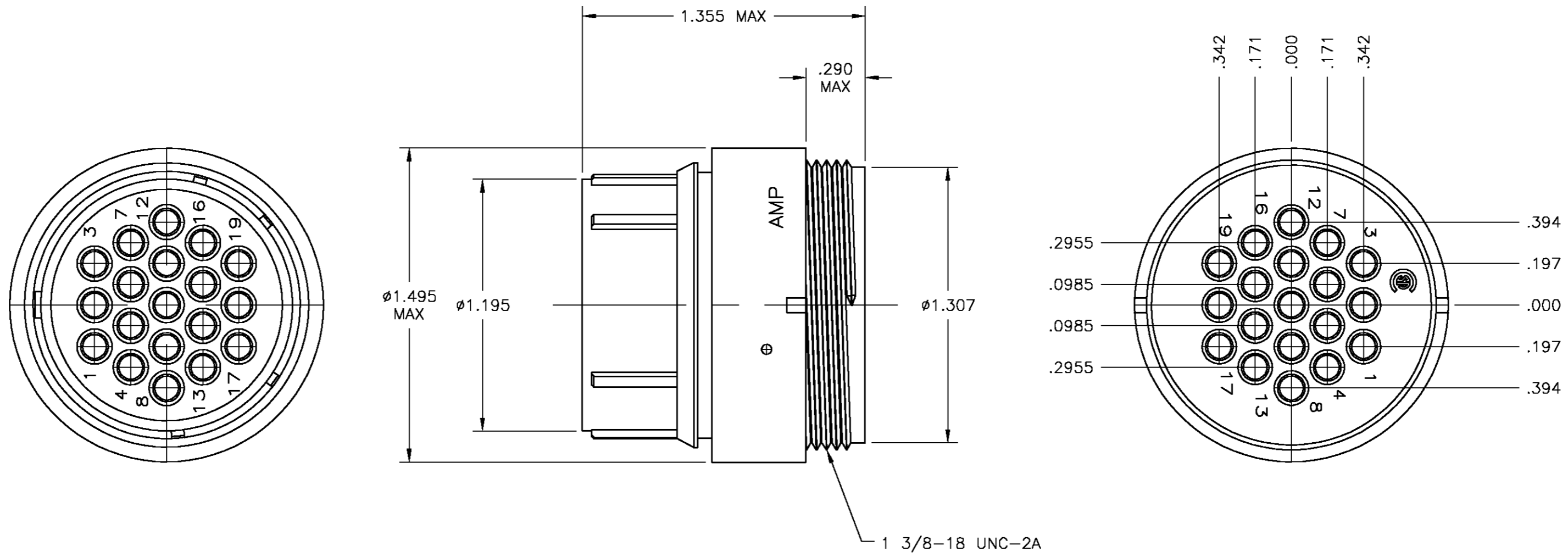
THIS DRAWING IS UNPUBLISHED. RELEASED FOR PUBLICATION
 © COPYRIGHT BY TYCO ELECTRONICS CORPORATION. ALL RIGHTS RESERVED.

| LOC | | DIST | | REVISIONS | | | |
|-----|-----|-------------|--|--------------------------|---------|-------|--|
| P | LTR | DESCRIPTION | | DATE | DWN | APVD | |
| FT | 1 | A | | REVISED PER 0B3B-0611-02 | 3/17/03 | SS SH | |

NOTES:

1. CAVITY IDENTIFICATION NUMBERS FRONT AND REAR FACE.

2. NYLON, BLACK.



211777-1
 PART NUMBER

| | | | | | | | |
|--|--|------------------|------------|---------------|--|------------|----------|
| THIS DRAWING IS A CONTROLLED DOCUMENT. | | DWN | S SCHLEGEL | 3/17/03 | Tyco Electronics Corporation Harrisburg, PA 17105 | | |
| DIMENSIONS: INCHES | | CHK | S HEADER | 3/17/03 | | | |
| TOLERANCES UNLESS OTHERWISE SPECIFIED: | | APVD | S HEADER | 3/17/03 | | | |
| 0 PLC ± - 1 PLC ± - 2 PLC ± - 3 PLC ± .005 4 PLC ± - ANGLES ± - FINISH - | | PRODUCT SPEC | NAME | | | | |
| MATERIAL | | APPLICATION SPEC | | RESTRICTED TO | | - | |
| - | | WEIGHT | | - | | SIZE | A2 |
| - | | CUSTOMER DRAWING | | SCALE | | CAGE CODE | 00779 |
| - | | - | | 2:1 | | DRAWING NO | C=211777 |
| - | | - | | SHEET | | 1 | OF 1 |
| - | | - | | REV | | A | |