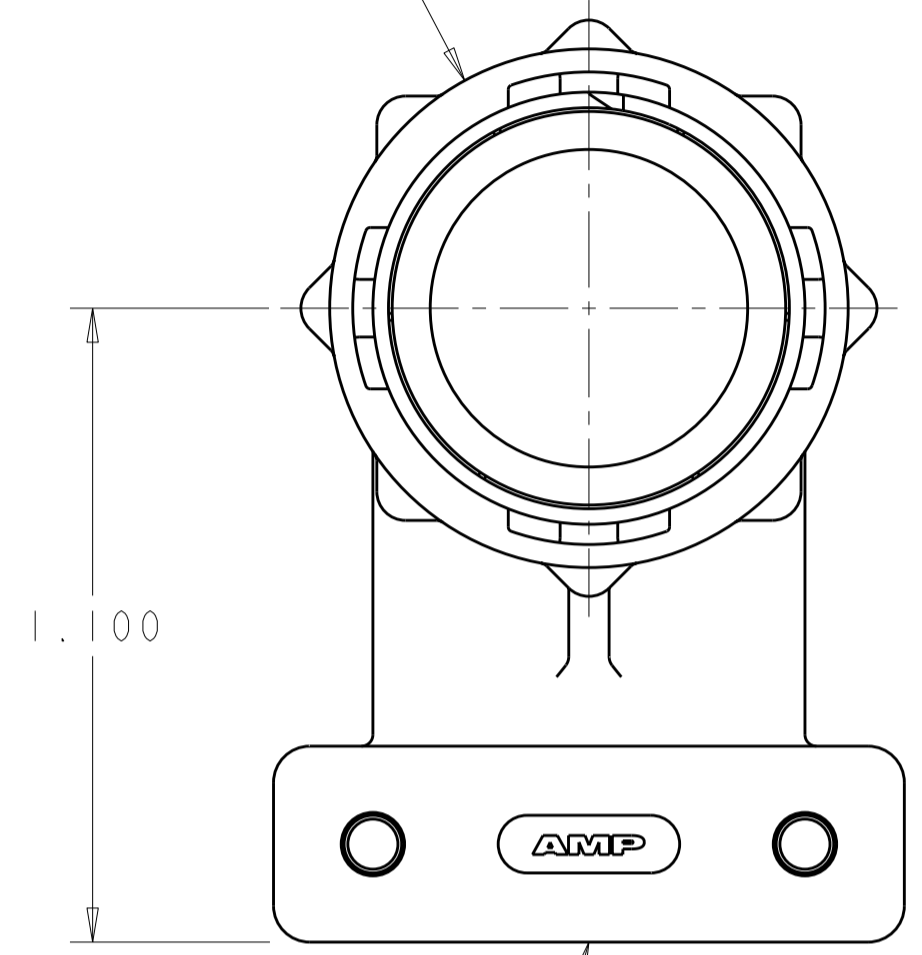


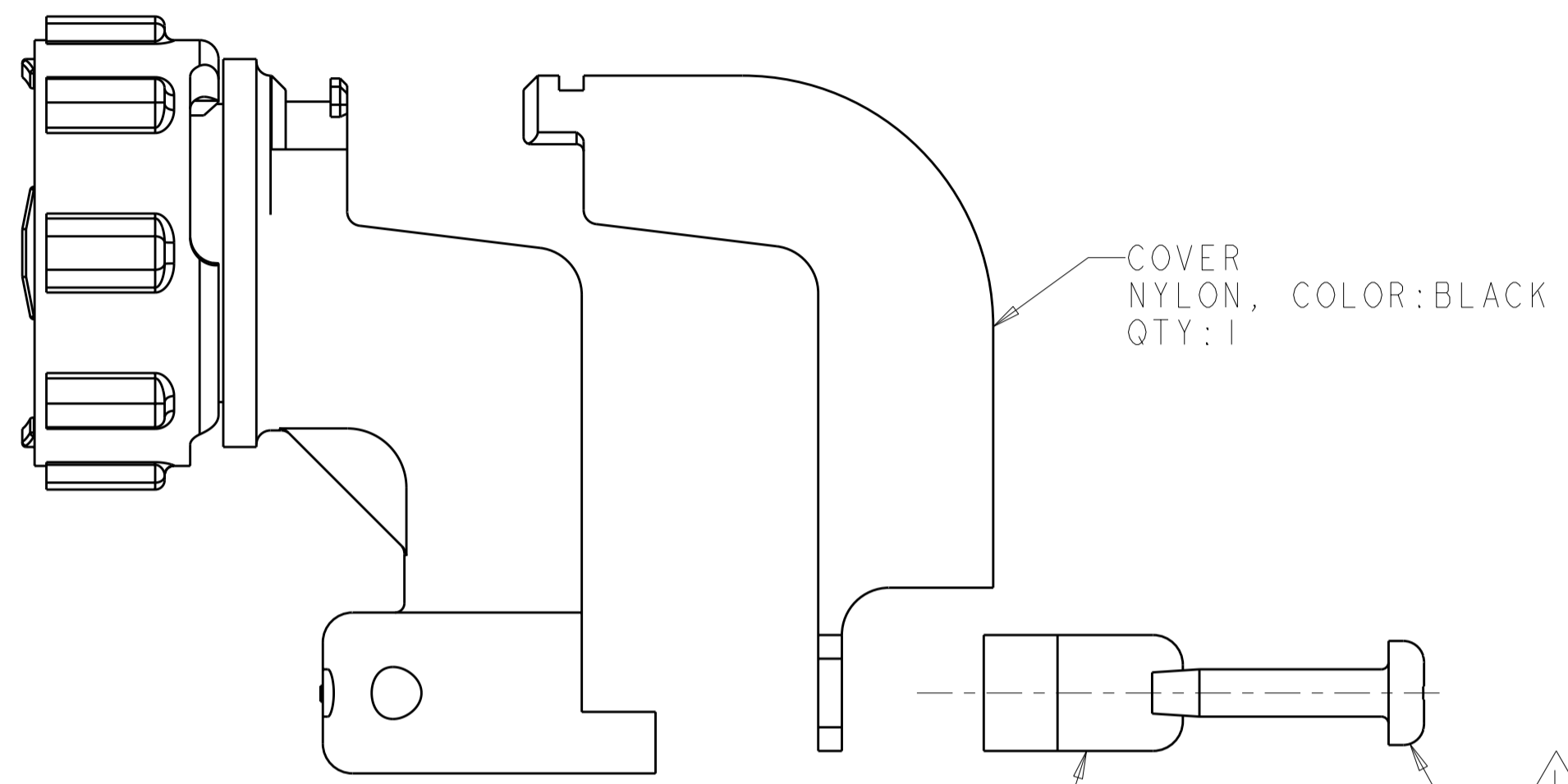
THIS DRAWING IS UNPUBLISHED. RELEASED FOR PUBLICATION  
 © COPYRIGHT 20 BY TYCO ELECTRONICS CORPORATION. ALL RIGHTS RESERVED.

LOC		DIST		REVISIONS			
P	LTR	DESCRIPTION	DATE	DWN	APVD		
	B	REVISED PER ECO-10-012730	20SEP10	HMR	MG		

COUPLING RING  
 NYLON, COLOR:BLACK



CABLE CLAMP BODY  
 NYLON, COLOR:BLACK

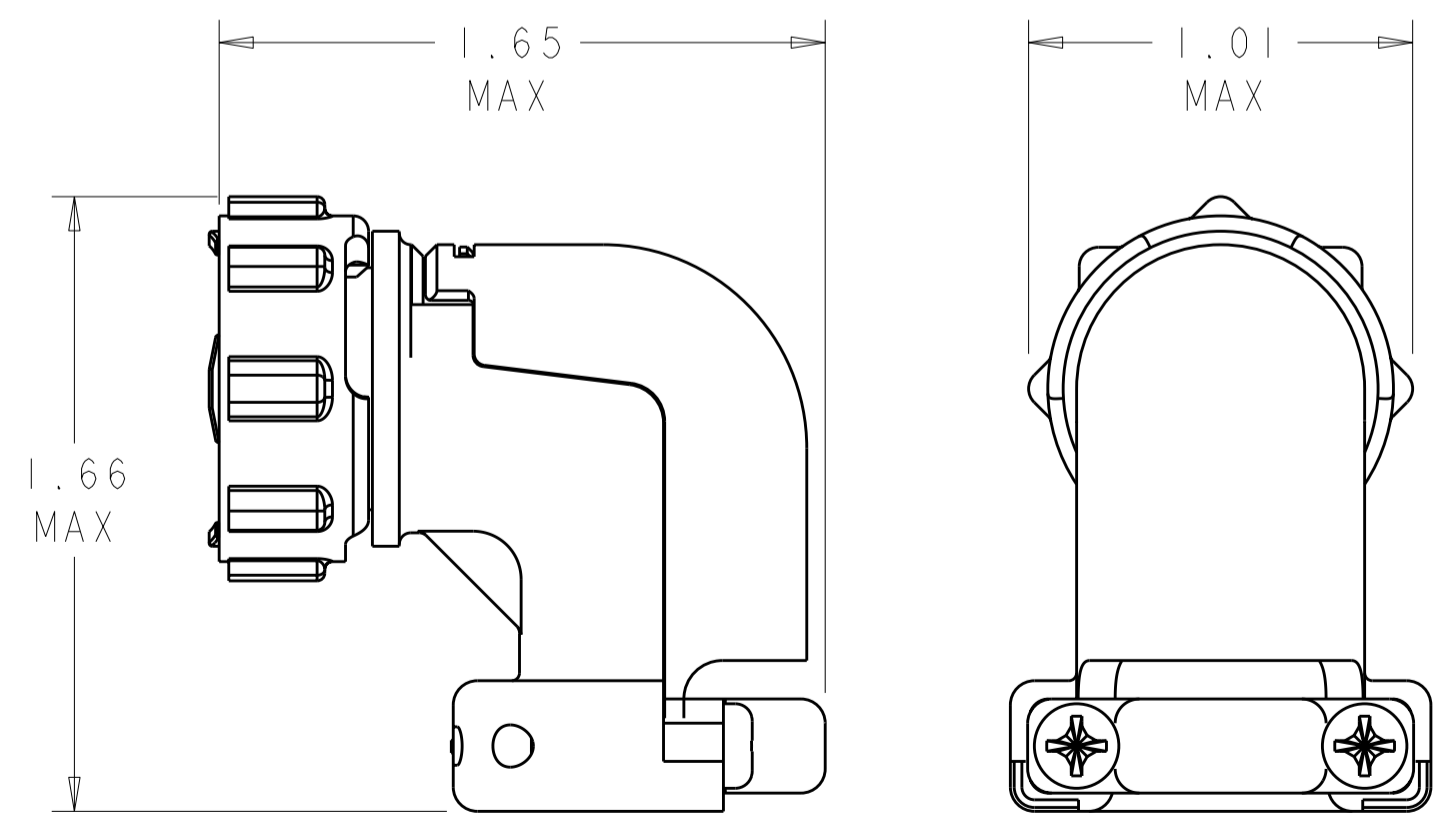


COVER  
 NYLON, COLOR:BLACK  
 QTY:1

CABLE CLAMP INSERT  
 NYLON, COLOR:BLACK  
 QTY:2

① 5-20 SELF TAPPING SCREW  
 MATERIAL: STEEL  
 FINISH: ③  
 QTY:2

- ① SELF TAPPING SCREWS AND CABLE CLAMP INSERTS PACKAGED UNASSEMBLED.
- ② CLAMPING AREA ADJUSTABLE TO .453 O.D. MAX CABLE. CABLE CLAMP INSERTS CAN BE ADJUSTED BY INVERTING OR CHANGING CABLE CLAMP INSERT.
- ③ SCREW FINISH ZINC WITH NON HEXAVALENT CHROMATE.



ASSEMBLED VIEW  
 SCALE 2:1

	1546348-2
SUPERSEDED BY -2	1546348-1
	PART NUMBER

THIS DRAWING IS A CONTROLLED DOCUMENT FOR TYCO ELECTRONICS CORPORATION IT IS SUBJECT TO CHANGE AND THE CONTROLLING ENGINEERING ORGANIZATION SHOULD BE CONTACTED FOR THE LATEST REVISION.		DWN S. WELDON 11FEB2000	AMP Incorporated Harrisburg, PA 17105-3608	
DIMENSIONS: INCHES		CHK M. CHACKO 11FEB2000	NAME CABLE CLAMP KIT, UNASSEMBLED, R/A, W/COVER, SIZE 13, CPC	
TOLERANCES UNLESS OTHERWISE SPECIFIED: 0 PLC ± 1 PLC ± 2 PLC ± 3 PLC ±0.005 4 PLC ± ANGLES ± FINISH		APVD M. CHACKO 11FEB2000	RESTRICTED TO	
MATERIAL		PRODUCT SPEC	SIZE A200779	CAGE CODE C-1546348
		APPLICATION SPEC	DRAWING NO 1546348	SHEET 1 OF 1
		WEIGHT	SCALE 3:1	REV B
		CUSTOMER DRAWING		