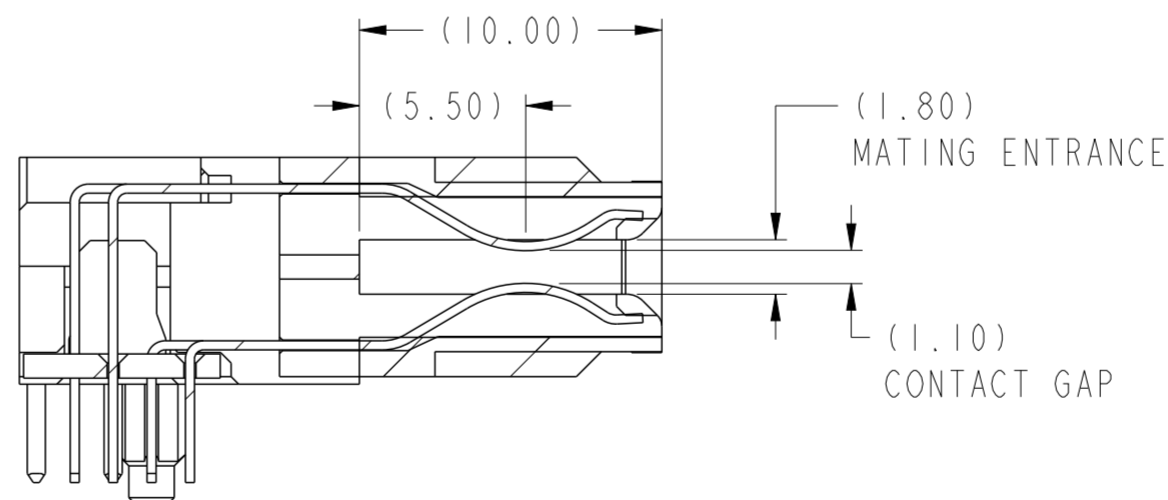


SECTION A-A  
SCALE 4:1



SECTION B-B  
SCALE 4:1

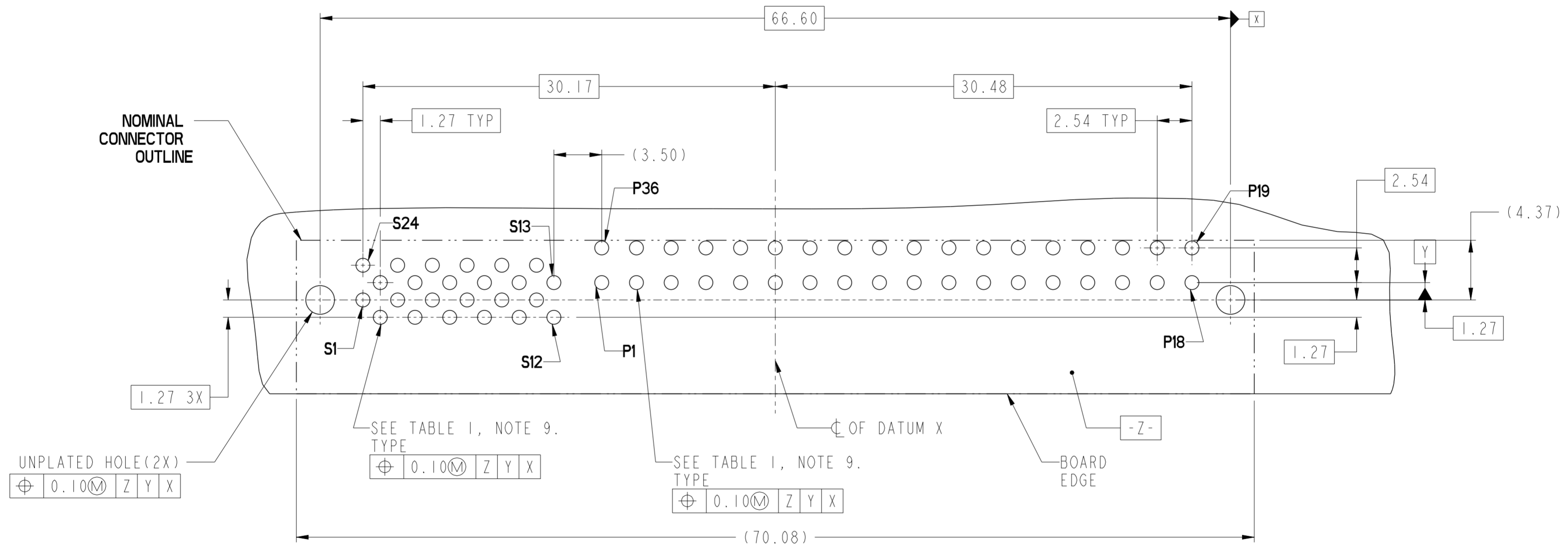
REV	ECN NO.	DR	DATE
A	---	HZ	2012-06-12
B	ELX-DG-012357-1	JW	2012-07-31

spec ref	-	dr	Wei-Long Zhang	2012/05/11	projection	MM	size	A2	scale	4:1
tolerance std	ISO 406 ISO 1101	eng	Wei-Long Zhang	2012/07/31			ecn no	ELX-DG-012357-1	rel level	Released
TOLERANCES UNLESS OTHERWISE SPECIFIED		chr	-	product family						
surface	ISO 1302	appr	Pei-Ming Zheng	2012/07/31			cat. no.	R/A RECT (24S-36P) HIGH POWER CARD EDGE	dwg no	10121038
linear	0.X ±0.3 0.XX ±0.10 0.XXX ±0.05	www.fci.com		Product - Customer Drw		sheet 1 of 4	rev	B		
angular	0° ±2°	PDS: Rev :B		STATUS: Released		Printed: Jul 31, 2012				



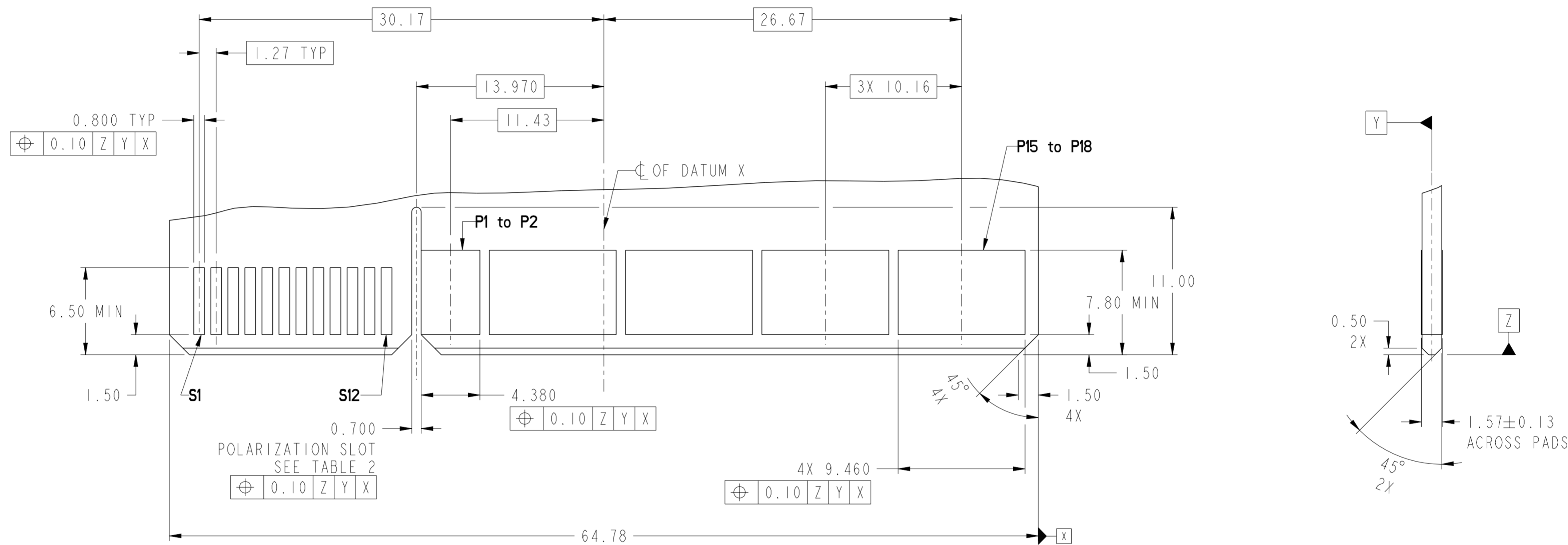
Copyright FCI.

CONTACT TYPE	TOP LAYER DESCRIPTION	TABLE 1 (HPCE / SOLDER TAILS) PLATED THROUGH-HOLE REQUIREMENTS				
		DRILLED HOLE DIAMETER	COPPER THICKNESS	TIN-LEAD THICKNESS	TIN THICKNESS	FINISHED HOLE DIAMETER
POWER & SIGNAL	TIN-LEAD	1.10-1.16 (1.15 DRILL)	0.025 - 0.050	0.005 - 0.015	--	0.94 - 1.10
	IMMERSION TIN	1.10-1.16 (1.15 DRILL)	0.025 - 0.050	--	0.9 - 1.5um	0.94 - 1.10
	COPPER (SEE NOTE 8)	1.10-1.16 (1.15 DRILL)	0.025 - 0.050	--	--	0.94 - 1.10



## RECOMMENDED PCB LAYOUT

spec ref	-	dr	Wei-Long Zhang	2012/05/11	projection	MM	size	A2	scale	4:1	
tolerance std	ISO 406 ISO 1101	eng	Wei-Long Zhang	2012/07/31			ecn no	ELX-DG-012357-1	rel level	Released	
TOLERANCES UNLESS OTHERWISE SPECIFIED		chr	-	apppr							Pai-Ming Zheng
surface	ISO 1302	linear	0.X	$\pm 0.3$			title	R/A RECT (24S-36P)		dwg no 10121038	rev B
			0.XX	$\pm 0.10$	www.fci.com		HIGH POWER CARD EDGE		Product - Customer Drw		
		angular	0°	$\pm 2^\circ$			PDS: Rev :B		STATUS:Released		Printed: Jul 31, 2012

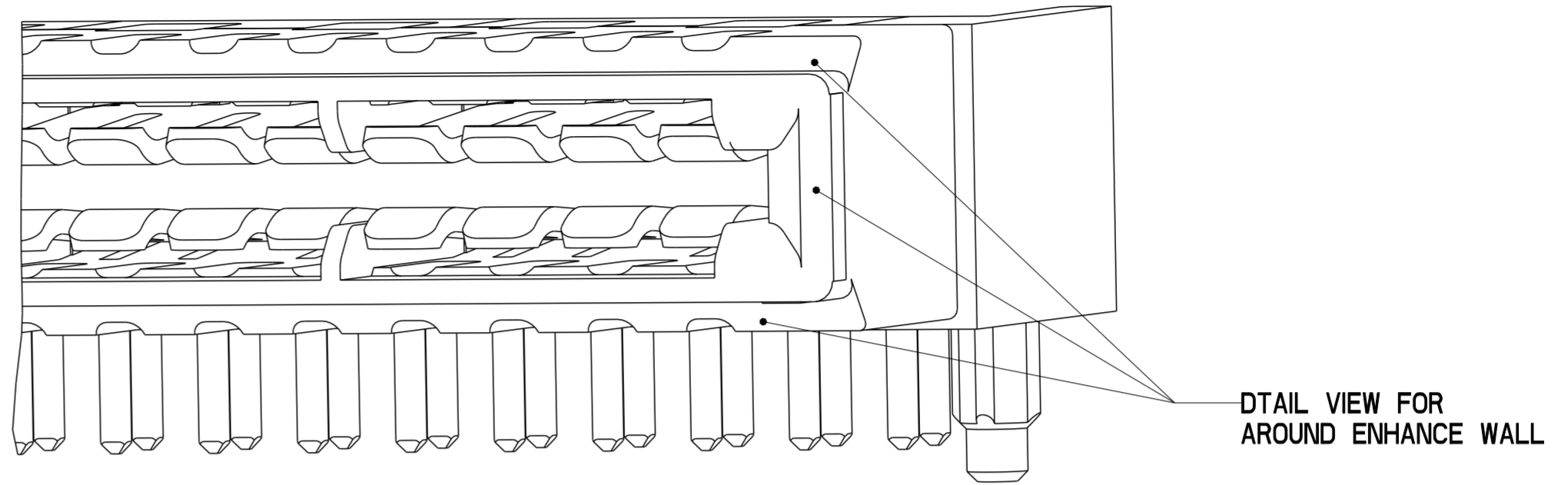


## RECOMMENDED MATING BOARD FOOT PRINT

spec ref -		dr	Wei-Long Zhang	2012/05/11	projection	MM	size	A2	scale	4:1	
tolerance std		eng	Wei-Long Zhang	2012/07/31			ecn no	ELX-DG-012357-1			
ISO 406 ISO 1101		chr	-	2012/07/31				rel level	Released		
TOLERANCES UNLESS OTHERWISE SPECIFIED		appr	Pai-Ming Zheng	2012/07/31	product family		cat. no.		R/A RECT (24S-36P) HIGH POWER CARD EDGE		
surface	ISO 1302	linear	0.X	±0.3		dwg no	10121038		rev	B	
			0.XX	±0.10							
			0.XXX	±0.05							
		angular	0°	±2°	www.fci.com	Product - Customer Drw		sheet 3 of 4			

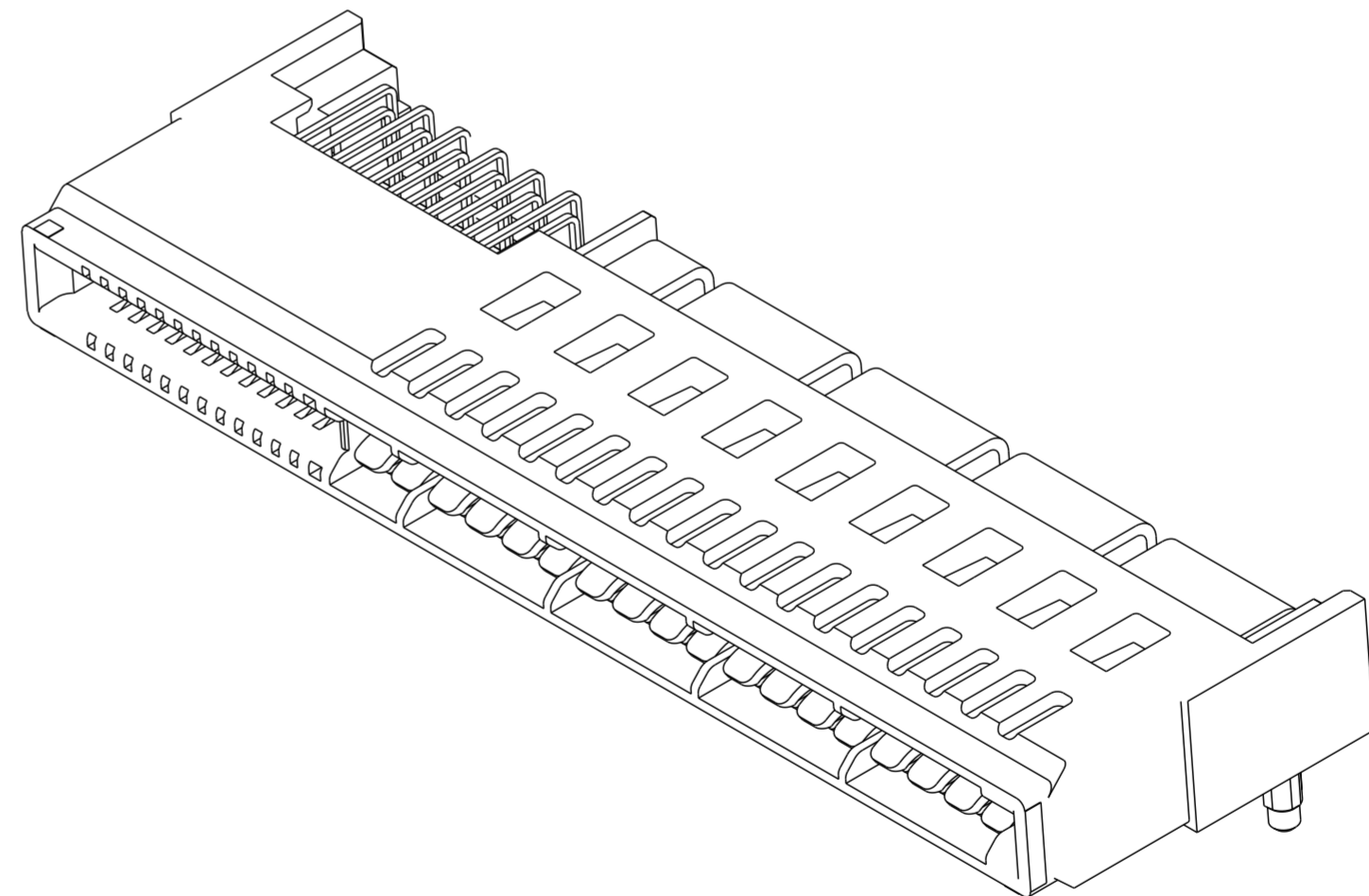
HPCE PART NUMBER (TABLE 2)

PART NUMBER	TAIL TYPE	HOLD-DOWN OPTION	ORIENTATION KEY	DIM "A" TYPICAL TAIL LENGTH
10121038-001LF	SOLDER TAIL	NO	YES	3.25±0.25
10121038-002LF			NO	
10121038-003LF		YES	YES	
10121038-004LF			NO	
10121038-005LF		NO	YES	2.60±0.25
10121038-006LF			NO	
10121038-007LF		YES	YES	
10121038-008LF			NO	



NOTES:

- CONNECTOR MATERIALS:  
 HOUSING: HIGH TEMPERATURE THERMAL PLASTIC, BLACK  
 UL 94V-0 COMPLIANT  
 CONTACTS: HIGH PERFORMANCE COPPER ALLOY.
- CONTACT FINISH REF. GS-12-604 SECTION 5.2.
- PRODUCT SPECIFICATION: GS-12-604.
- APPLICATION SPECIFICATION: GS-20-128.
- PRODUCT MARKING (FCI - PART NUMBER & DATE CODE) ON HOUSING IN AREA SHOWN.
- PACKAGING MEETS FCI SPECIFICATION GS-14-937.
- HOUSING COMPONENT WILL WITHSTAND EXPOSURE TO 260°C PEAK TEMPERATURE FOR 60 SECONDS IN A CONVECTION, INFRA-RED, OR VAPOR PHASE REFLOW OVEN.
- COPPER PLATING THICKNESS IN CENTER OF VIA-HOLE CAN BE NO MORE THAN 0.003 LESS THAN OTHER AREAS.
- ALL HOLE SIZES ARE FINISHED HOLE SIZES.
- MOUNTING HOLES ARE UNPLATED  
 $\Delta \varnothing 2.18 \pm 0.03$  FOR SOLDER TAILS
- $\Delta$ SYMBOL WILL BE NEXT TO ANY DIMENSION, VIEW OR NOTE WHICH HAS BEEN MODIFIED WITH THE CURRENT DRAWING REVISION.



spec ref	-	dr	Wei-Long Zhang	2012/05/11	projection	MM	size	A2	scale	4:1
tolerance std	ISO 406 ISO 1101	eng	Wei-Long Zhang	2012/07/31			ecn no	ELX-DG-012357-1		
TOLERANCES UNLESS OTHERWISE SPECIFIED		chr	-	2012/07/31				product family	rel level	Released
surface	ISO 1302	appr	Pei-Ming Zheng	2012/07/31			title	R/A RECT (24S-36P) HIGH POWER CARD EDGE	dwg no	10121038
	linear	0.X	±0.3		www.fci.com	cat. no.	Product - Customer Drw	sheet 4 of 4	rev	B
	angular	0°	±2°		STATUS:Released		Printed: Jul 31, 2012		PDS: Rev :B	

Copyright FCI. FCI