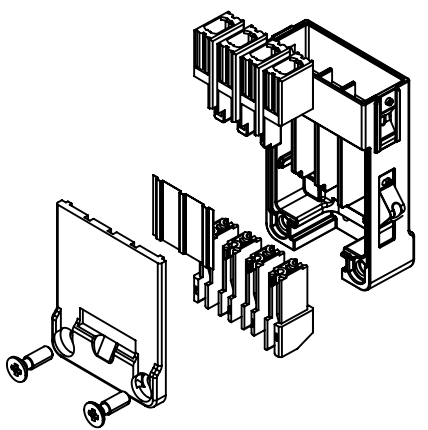


wiring acc. EIA/TIA 568A
view from termination side

brown	8•	•7	white/brown
blue	4•	•5	white/blue
orange	6•	•3	white/orange
green	2•	•1	white/green

wiring acc. EIA/TIA 568B
view from termination side

brown	8•	•7	white/brown
blue	4•	•5	white/blue
green	6•	•3	white/green
orange	2•	•1	white/orange



Male contact		
Part number	Wire gauge	
	mm ²	AWG
09930005576	0,13-0,33mm ²	22-26
09930007576	0,09-0,25mm ²	24-28
09930008576	0,25-0,52mm ²	20-24

	All rights reserved Department EL PD - DE	All Dimensions in mm Original Size DIN A4		Scale 2:1	Free size tol.	Ref.
		HARTING Electric GmbH & Co. KG D-32339 Espelkamp	Created by RULLKOETTER	Inspected by RIEPE	Standardisation RUETERA	Date 2018-05-09
Title Han Gigabit insert M Cat. 7 (shield-GND)						Doc-Key / ECM-Nr. 100706498/UGD/000/C 500000134981
Type TB				Number 09 14 008 3032		Rev. C
						Page 1/1