

MICRO SWITCH

FREEMONT ILLINOIS, U.S.A
A DIVISION OF HONEYWELL

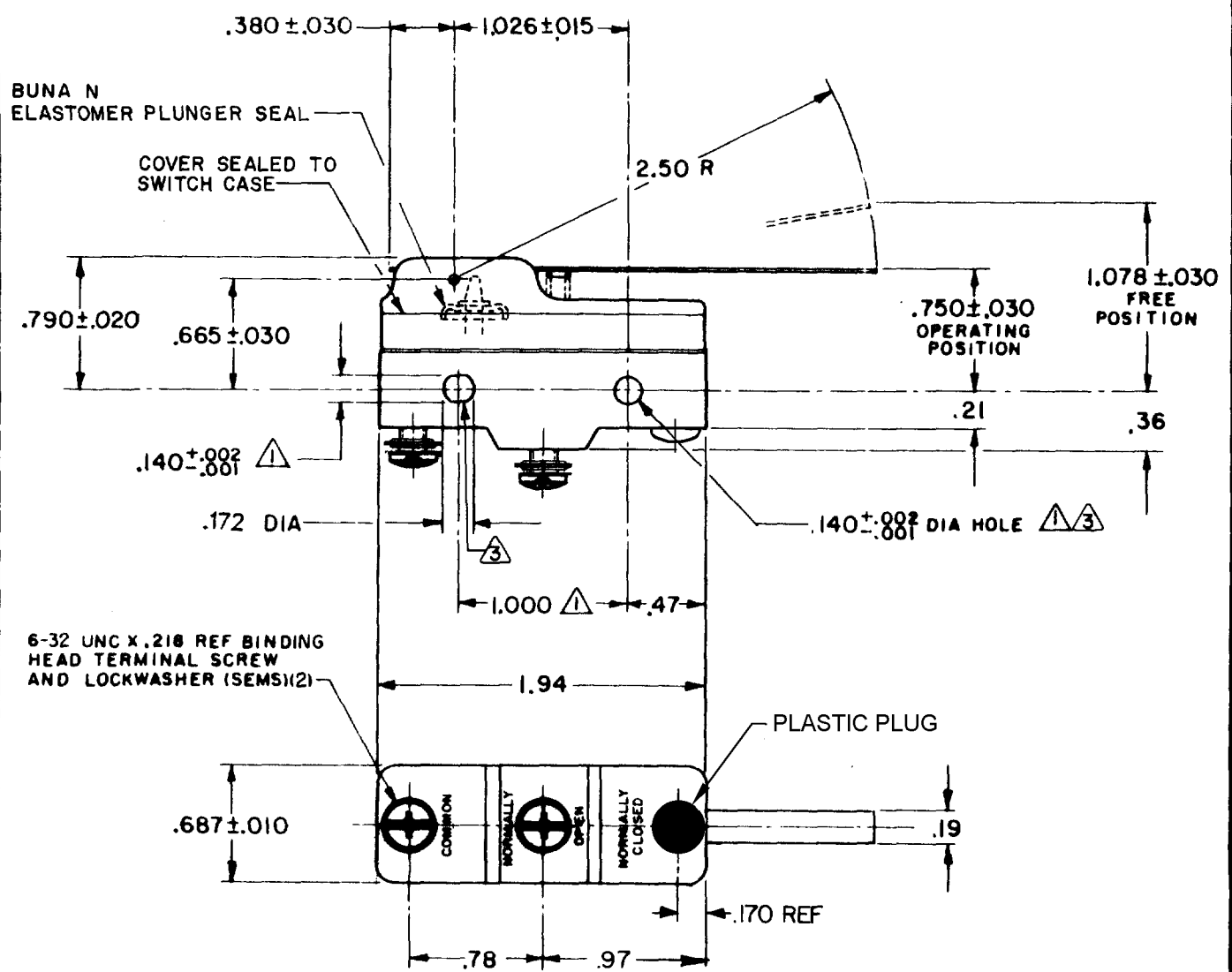
FED. MFG. CODE 91928

SWITCH-BASIC

CATALOG LISTING

YZ-2RW805551T

M YZ-2RW805551T
 DRAWING NUMBER
 7
 ISSUE
 REVISIONS
 A CO 35607
 K P K
 18 JUL 78
 B CO 67209
 J A P
 2 MAY 90
 C CO- 59351-D
 JWB
 18 JUL 91
 D CO- 77588
 K D R
 29 MAR 94
 E CO 93346
 DLT
 22 SEP 98
 F 0000624
 JAH
 23 JUN 03
 RASTER
 FO-52848
 DRAWN
 GLH 27AUG 73
 CHECK
 LSD 30AUG 73
 CHECK
 30AUG 73
 RELEASE NO. PR-3555
 REPLACES



- NOTES**
- ① MOUNTING HOLES WILL ACCEPT PINS OR SCREWS OF .139 MAX DIA ON 1.000 ± .002 CENTERS
 - ② - SEALED CONSTRUCTION PROVIDES SPLASH RESISTANCE
 - ③ SLIGHT COUNTERBORE PERMISSIBLE (EITHER SIDE)

THIS DRAWING COVERS A PROPRIETARY ITEM AND IS THE PROPERTY OF MICRO SWITCH, A DIVISION OF HONEYWELL. THIS DRAWING IS NOT TO BE COPIED OR USED WITHOUT THE APPROVAL OF MICRO SWITCH.

CHARACTERISTICS	ELECTRICAL DATA	SCALE FULL
OPERATING FORCE ----- 2 1/2 OZ MAX	CONTACT ARRANGEMENT S P N O	DO NOT SCALE PRINT
RELEASE FORCE ----- 1/2 OZ MIN	L96 15A 125, 250 OR 480 VAC 1/8 HP 125 VAC, 1/4 HP 250 VAC 1/2A 125 VDC, 1/4A 250 VDC L288 L299 L306 	UNLESS OTHERWISE NOTED DIMENSIONS ARE IN INCHES TOLERANCES ARE
DIFFERENTIAL TRAVEL ----- .007-.050		ONE PLACE (.0) ± .030
OVERTRAVEL ----- .219 MIN		TWO PLACE (.00) ± .015 THREE PLACE (.000) ± .005 ANGLES ±
	16A 250V ~ T85 5E4	WEIGHT .076 LB