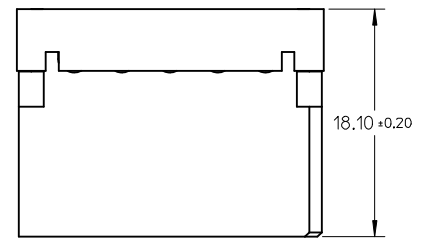
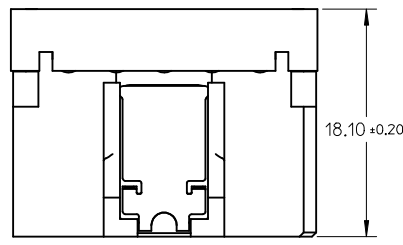
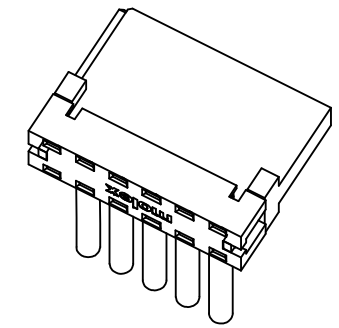
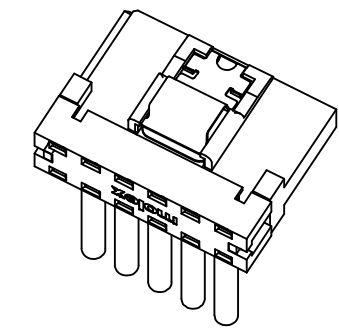
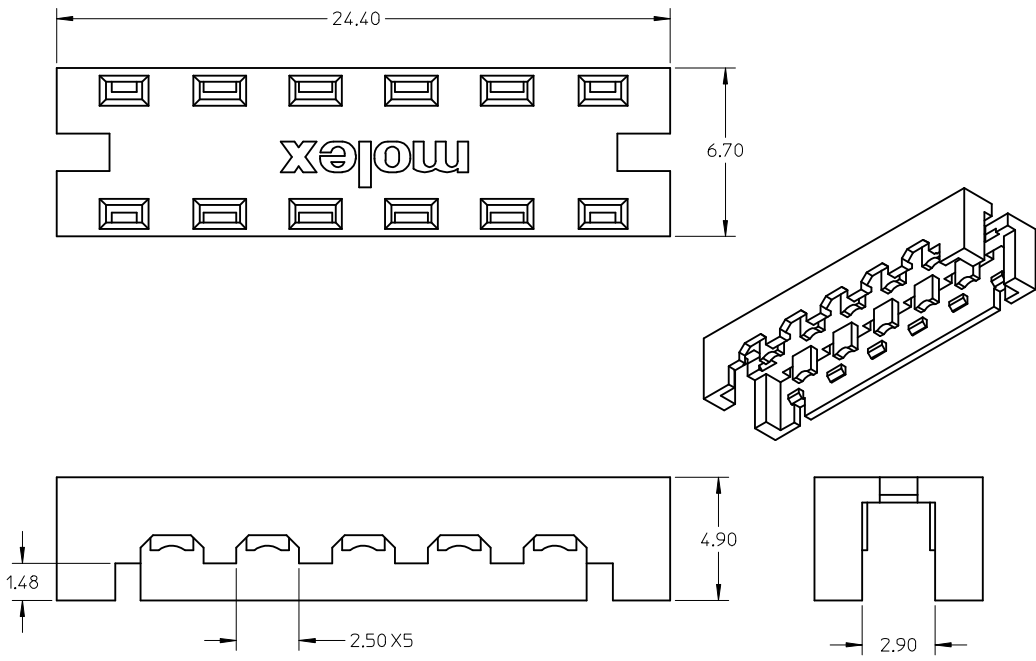


10 9 8 7 6 5 4 3 2 1



APPLICATION FOR WITH LATCH TYPE

APPLICATION FOR WITHOUT LATCH TYPE

NOTE

- 1 MATERIAL: THERMAL PLASTIC, COLOR: BLACK UL94V-0.
- 2 THIS COVER IS FEED TO TYPE, IT IS AVAILABLE FOR 67926-000*/002*(WITH LATCH), 67926-001*(WITHOUT LATCH).
- 3 PACKAGE SPEC:
 - 3.1 1000 PCS IN ONE BAG.
 - 3.2 3000 PCS(3 PAGES) IN ONE INNER CARTON.
 - 3.3 12,000 PCS(4 INNER CARTONS) IN ONE OUTER CARTON.

P/N	REMARK
67926-0040	NON HALOGEN-FREE
67926-0840	HALOGEN-FREE

ADD PART NUMBER EC NO: SH2009-0536 TDRW: XJ SONG 2009/05/05 CHKD: XJ SONG 2009/06/19 APPR: HWANG 2009/06/23	DESCRIPTION REV	QUALITY SYMBOLS	GENERAL TOLERANCES (UNLESS SPECIFIED)	DIMENSION STYLE	SCALE	DESIGN UNITS	THIRD ANGLE PROJECTION	
		▽=0 ∇=0	mm INCH 4 PLACES ± --- ± --- 3 PLACES ± --- ± --- 2 PLACES ± 0.15 ± --- 1 PLACE ± 0.25 ± --- ANGULAR ± 1 °	MM ONLY	5:1	METRIC	DRAWN BY: GRATE MA DATE: 2004/04/25 CHECKED BY: DATE: 2004/04/25 APPROVED BY: SAM DATE: 2004/04/25	FEED TO COVER FOR SATA POWER CONNECTOR IDT TYPE MOLEX INCORPORATED SD-67926-003
		DRAFT WHERE APPLICABLE MUST REMAIN WITHIN DIMENSIONS	MATERIAL NO. DOCUMENT NO. SHEET NO. SEE TABLE SD-67926-003 1 OF 1					
		THIS DRAWING CONTAINS INFORMATION THAT IS PROPRIETARY TO MOLEX INCORPORATED AND SHOULD NOT BE USED WITHOUT WRITTEN PERMISSION						

9 8 7 6 5 4 3 2 1