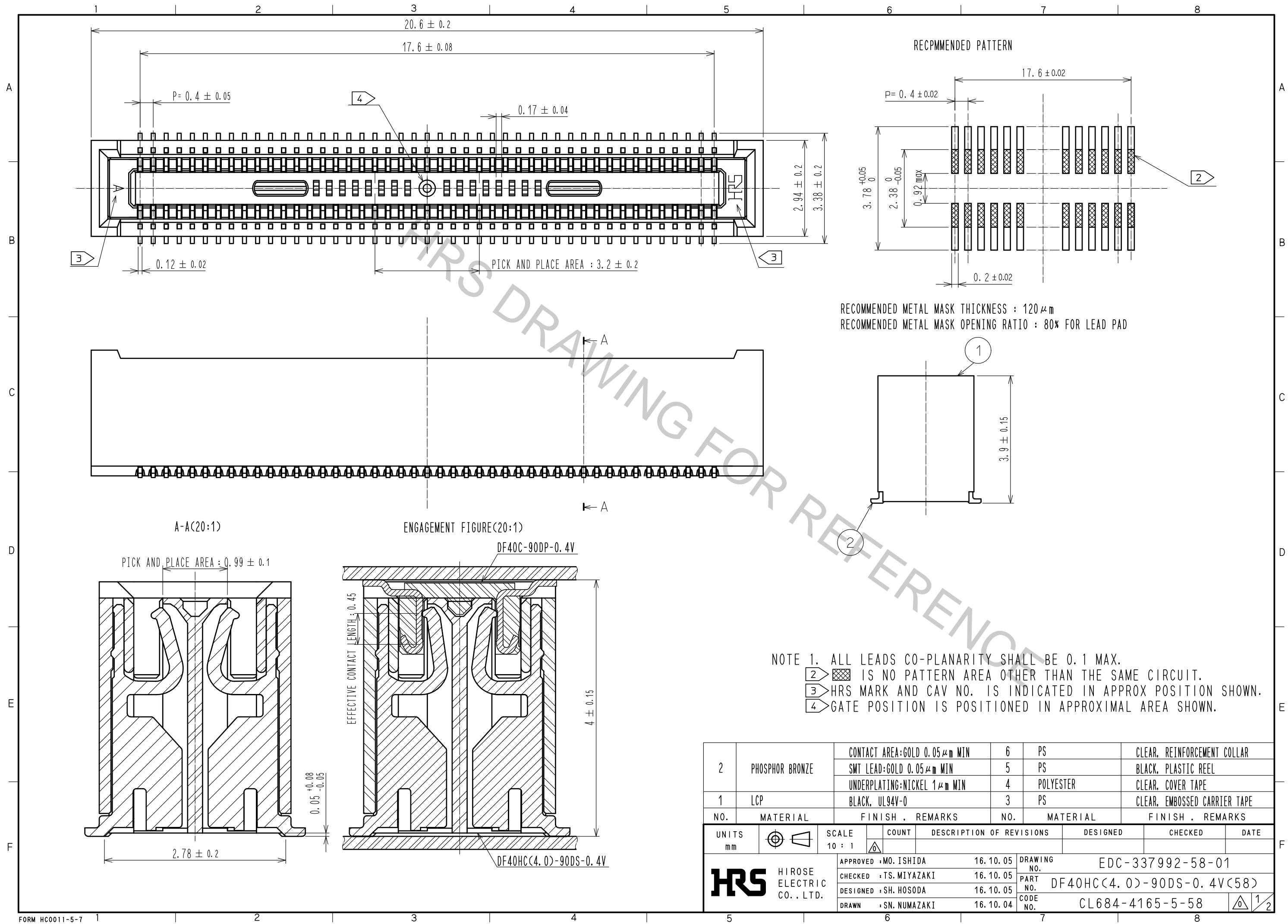


Apr.1.2017 Copyright 2017 HIROSE ELECTRIC CO., LTD. All Rights Reserved.

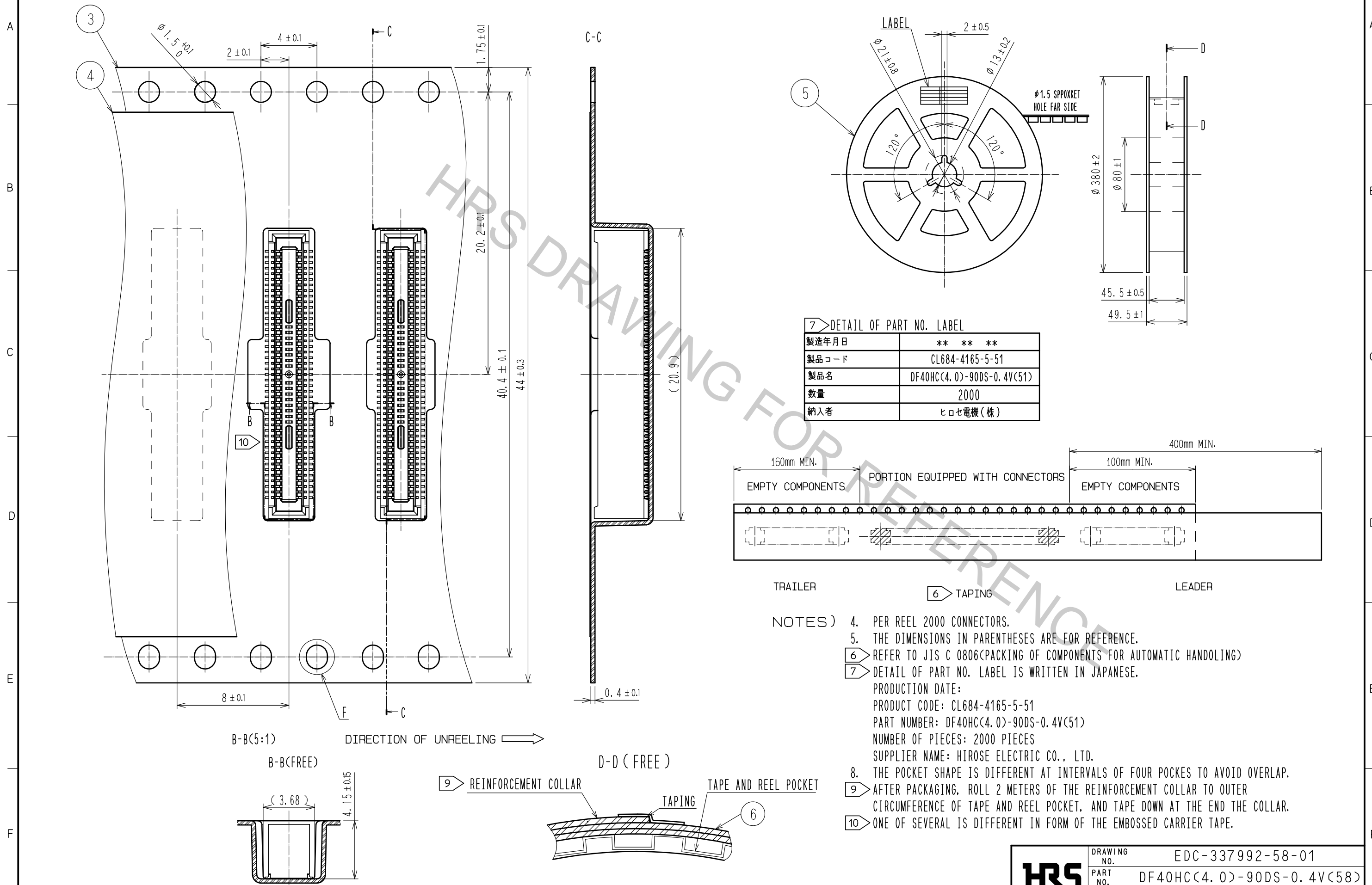


NOTE 1. ALL LEADS CO-PLANARITY SHALL BE 0.1 MAX.
 2. IS NO PATTERN AREA OTHER THAN THE SAME CIRCUIT.
 3. HRS MARK AND CAV NO. IS INDICATED IN APPROX POSITION SHOWN.
 4. GATE POSITION IS POSITIONED IN APPROXIMAL AREA SHOWN.

2	PHOSPHOR BRONZE	CONTACT AREA: GOLD $0.05 \mu\text{m}$ MIN	6	PS	CLEAR, REINFORCEMENT COLLAR
		SMT LEAD: GOLD $0.05 \mu\text{m}$ MIN	5	PS	BLACK, PLASTIC REEL
		UNDERPLATING: NICKEL $1 \mu\text{m}$ MIN	4	POLYESTER	CLEAR, COVER TAPE
1	LCP	BLACK, UL94V-0	3	PS	CLEAR, EMBOSSED CARRIER TAPE
NO.	MATERIAL	FINISH, REMARKS	NO.	MATERIAL	FINISH, REMARKS
UNITS mm		SCALE 10:1	COUNT	DESCRIPTION OF REVISIONS	
				DESIGNED	CHECKED
				DATE	
APPROVED: MO. ISHIDA			16.10.05	DRAWING NO. EDC-337992-58-01	
CHECKED: TS. MIYAZAKI			16.10.05	PART NO. DF40HC(4.0)-90DS-0.4V(58)	
DESIGNED: SH. HOSODA			16.10.05	CODE NO. CL684-4165-5-58	
DRAWN: SN. NUMAZAKI			16.10.04		

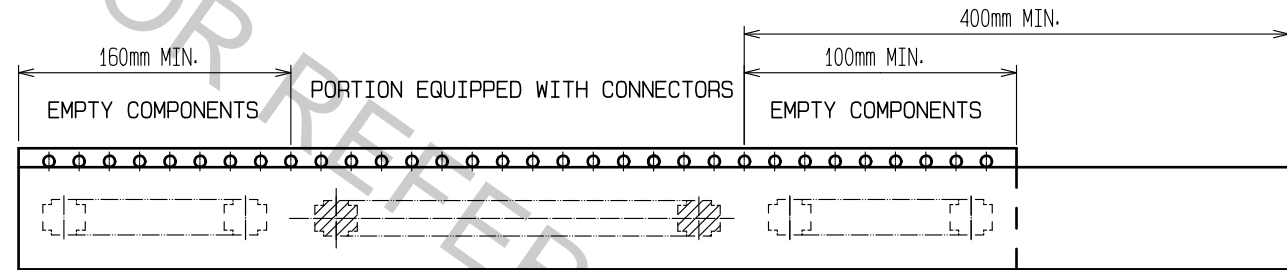
SCALE (5:1)

STYLE AND DIMENSION OF REEL (FREE SIZE)



7) DETAIL OF PART NO. LABEL

製造年月日	** ** *
製品コード	CL684-4165-5-51
製品名	DF40HC(4.0)-90DS-0.4V(51)
数量	2000
納入者	ヒロセ電機(株)



- NOTES)
- PER REEL 2000 CONNECTORS.
 - THE DIMENSIONS IN PARENTHESES ARE FOR REFERENCE.
 - REFER TO JIS C 0806(PACKING OF COMPONENTS FOR AUTOMATIC HANDLING)
 - DETAIL OF PART NO. LABEL IS WRITTEN IN JAPANESE.
- PRODUCTION DATE:
 PRODUCT CODE: CL684-4165-5-51
 PART NUMBER: DF40HC(4.0)-90DS-0.4V(51)
 NUMBER OF PIECES: 2000 PIECES
 SUPPLIER NAME: HIROSE ELECTRIC CO., LTD.
- THE POCKET SHAPE IS DIFFERENT AT INTERVALS OF FOUR POKES TO AVOID OVERLAP.
 - AFTER PACKAGING, ROLL 2 METERS OF THE REINFORCEMENT COLLAR TO OUTER CIRCUMFERENCE OF TAPE AND REEL POCKET, AND TAPE DOWN AT THE END THE COLLAR.
 - ONE OF SEVERAL IS DIFFERENT IN FORM OF THE EMBOSSED CARRIER TAPE.

HRS	DRAWING NO.	EDC-337992-58-01
	PART NO.	DF40HC(4.0)-90DS-0.4V(58)
	CODE NO.	CL684-4165-5-58
		△ 2/2