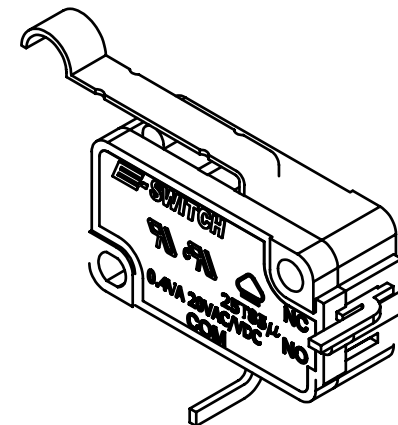
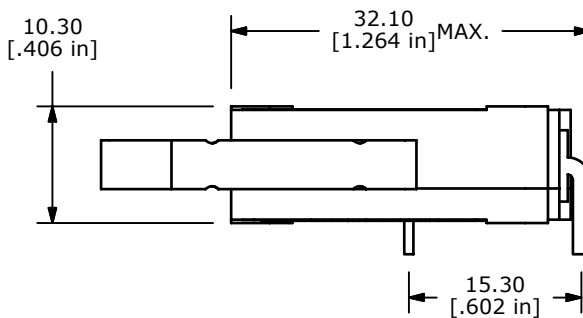
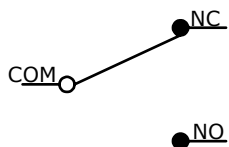


PANEL MOUNTING

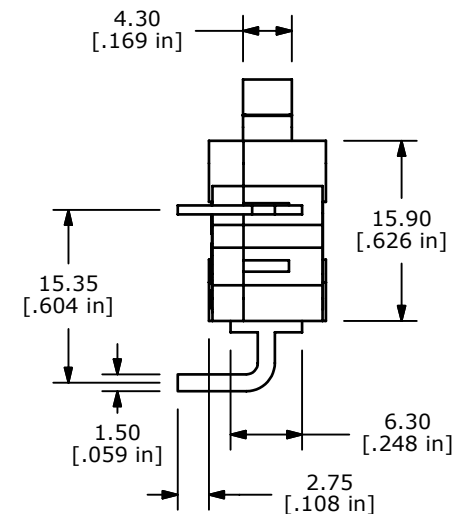
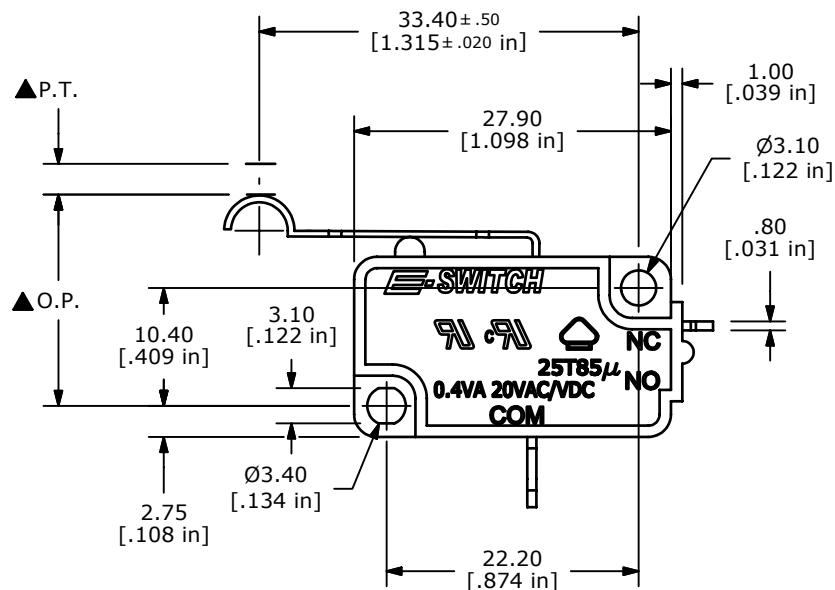


| O.P. (MM) | P.T. (MM) |
|------------|-----------|
| 19.0 ± 1.5 | 5.2 MAX. |

O.P. = OPERATING POINT
P.T. = PRE-TRAVEL



CIRCUIT: SPDT



NOTES:

1. ALL DIMENSIONS IN MM [INCH]
2. GENERAL TOLERANCE: X.X ± 0.4
X.XX ± 0.25
- ▲ 3. RATING: 0.4VA @ 20 VDC OR VAC MAX.
4. OPERATING FORCE: 50 ± 20 GRAMS
5. OPERATING TEMP: -25°C TO 85°C
6. ELECTRICAL LIFE: 50,000 CYCLES MIN.
7. MECHANICAL LIFE: 500,000 CYCLES TYP.
8. INSULATION RESISTANCE: 100 MEGA-OHMS MIN.
9. DIELECTRIC STRENGTH: 1500VAC 1 MINUTE (INITIAL VALUE)
10. CONTACT RESISTANCE: 100 MILLI -OHMS MAX.
11. CONTACT MATERIAL: GOLD
12. ▲ DENOTES CRITICAL PARAMETER.
13. 2002/95/EC (ROHS) COMPLIANT



| B | 17835 | CHANGED RATING EMBOSSED ON SWITCH | 11/1/07 | BF |
|-----|--------|-----------------------------------|---------|----|
| REV | PCR NO | DESCRIPTION | DATE | BY |
| | | | | |

THE INFORMATION CONTAINED IN THIS DOCUMENT IS PROPRIETARY TO E-SWITCH AND IS NOT TO BE COPIED OR TRANSFERRED

| TITLE LS085R104F050V2B | | | | |
|------------------------|-----------|----|---------|-----|
| SCALE | DATE | DR | DWG | REV |
| 1.5:1 | 11/1/2007 | BF | Q950046 | B |