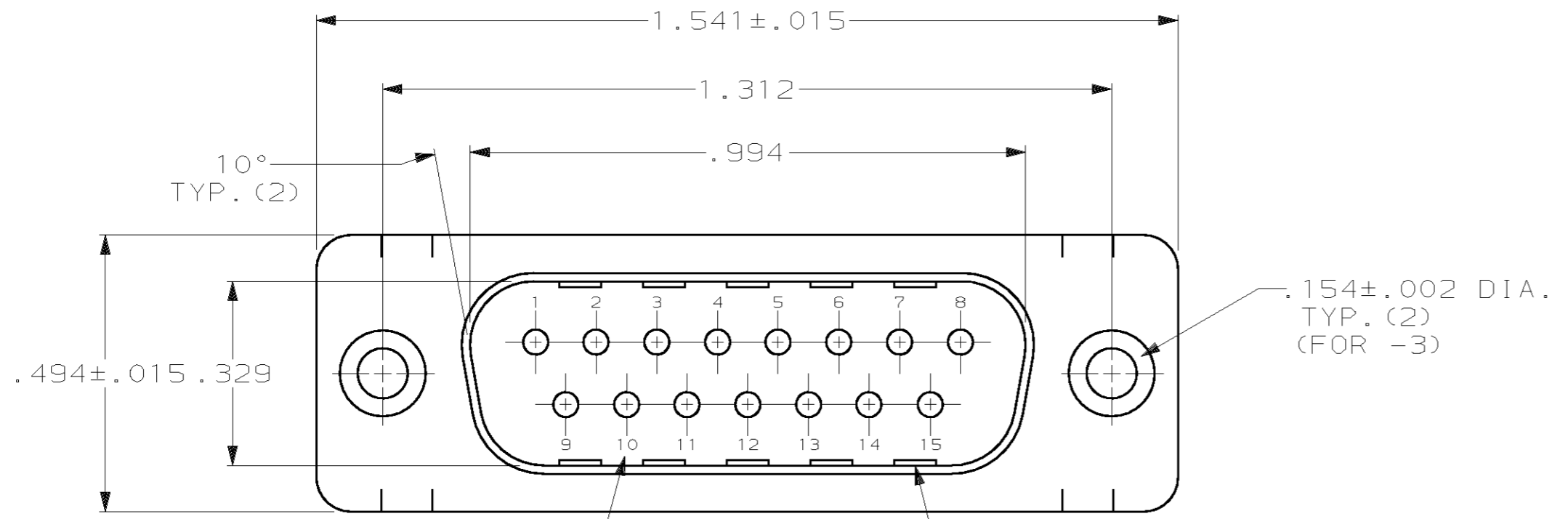


THIS DRAWING IS UNPUBLISHED. RELEASED FOR PUBLICATION .19
 (C) COPYRIGHT 19 BY AMP INCORPORATED. ALL RIGHTS RESERVED.

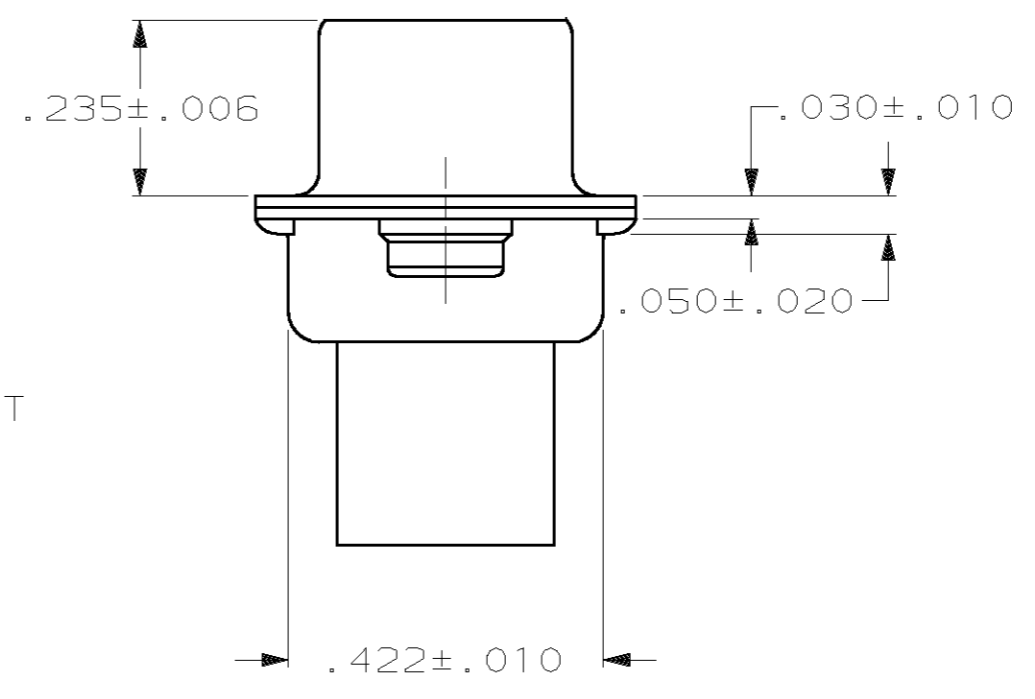
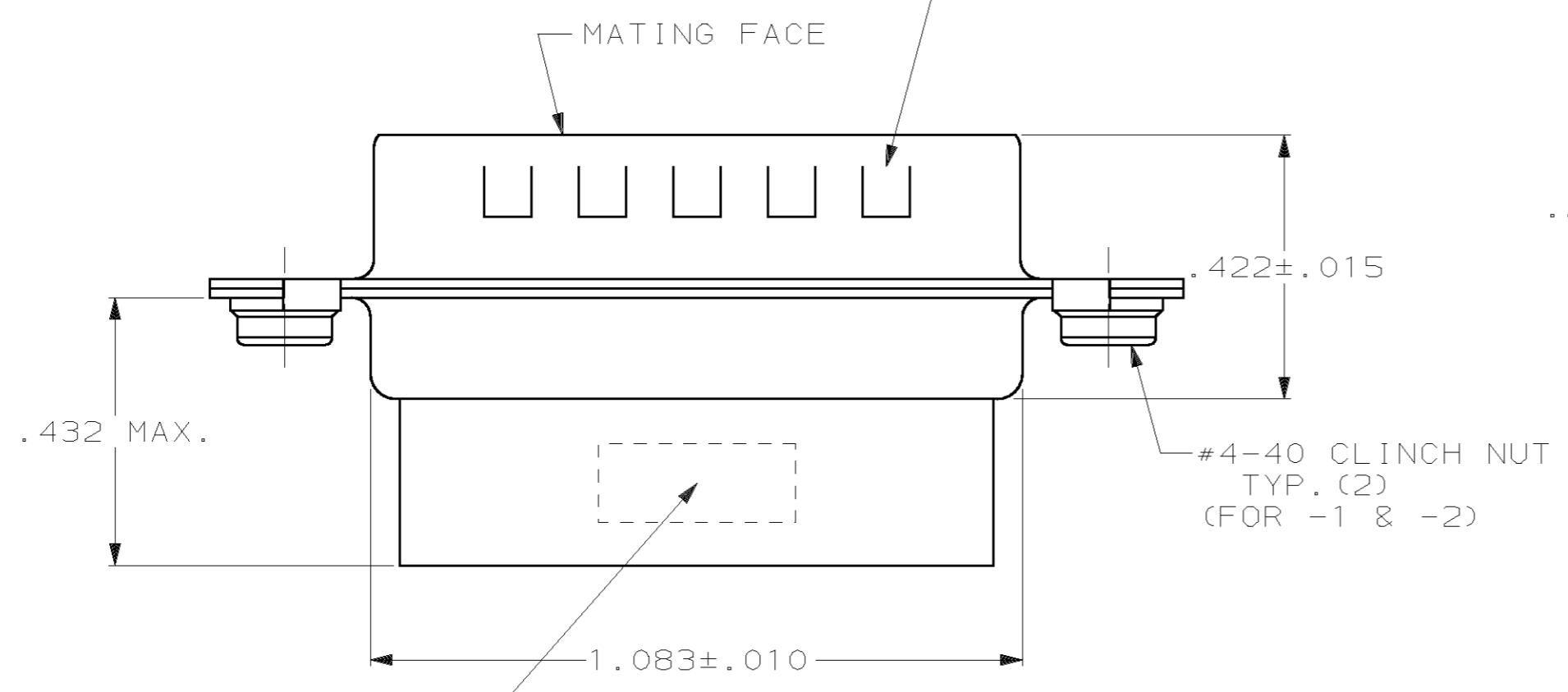
| LOC | | DIST | | REVISIONS | | | |
|-----|-----|-------------|-----------------------------|-----------|------|----|--|
| P | LTR | DESCRIPTION | DATE | DWN | APVD | | |
| GP | 00 | C | REVISED PER EC 0513-0023-03 | 14MAY03 | JG | 5B | |



- CONNECTOR ACCEPTS SIZE 20 DF PIN CONTACTS, RETENTION TINES ARE AN INTEGRAL PART OF INSERT.
- CONNECTOR COMPLIES WITH AMP SPEC. 108-40005 WHERE APPLICABLE.
- FLAME RETARDANT 94V-0 RATED THERMOPLASTIC; COLOR: BLACK.
- STEEL PER ASTM A109.
- TIN PLATED PER MIL-T-10727.

RAISED CAVITY IDENTIFICATION

GROUNDING INDENTS (FOR -2 & -3)



| | | | |
|----------|-----|-----|----------|
| OBSOLETE | NO | YES | 745908-3 |
| | YES | YES | 745908-2 |
| OBSOLETE | YES | NO | 745908-1 |

| | | |
|-------------|-------------------|-------------|
| CLINCH NUTS | GROUNDING INDENTS | PART NUMBER |
|-------------|-------------------|-------------|

| | | | | | |
|---|--|------------------|--|-----------|---|
| THIS DRAWING IS A CONTROLLED DOCUMENT. | | DWN | J.GERACE | 09 JUL 82 | AMP Incorporated Harrisburg, PA 17105-3608 |
| DIMENSIONS: mm (INCHES) | | CHK | J.FULPONI | 03 AUG 82 | |
| TOLERANCES UNLESS OTHERWISE SPECIFIED: 0 PLC ±- 1 PLC ±- 2 PLC ±- 3 PLC ±.005 4 PLC ±- ANGLES ±2° | | APVD | E.GILL | 04 AUG 82 | |
| MATERIAL MOLDED PARTS: 3 SHELLS: 4 | | PRODUCT SPEC | NAME | | |
| FINISH SHELLS: 5 | | APPLICATION SPEC | PLUG CONNECTOR, SIZE 2, 15 POS, W/CLINCH NUTS, AMPLIMITE HDP | | |
| CUSTOMER DRAWING | | WEIGHT | SIZE | | CAGE CODE |
| | | | A2 | | 00779 |
| | | SCALE | DRAWING NO | | REV |
| | | 4:1 | C-745908 | | 1 OF 1 |

745908