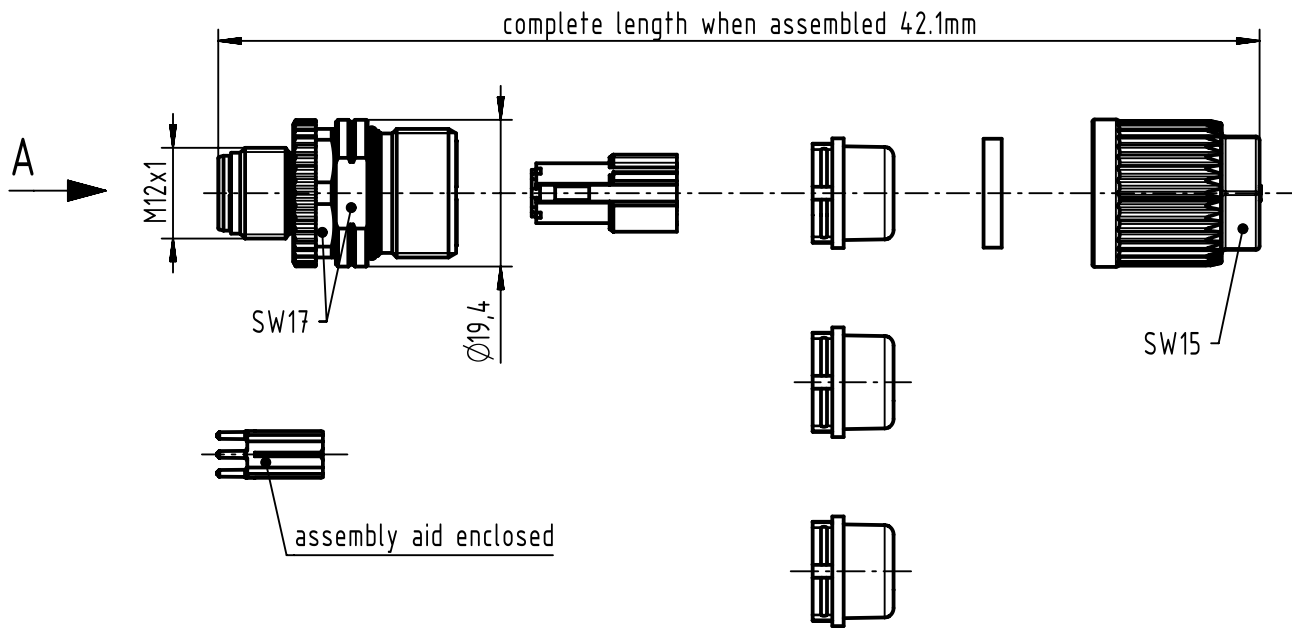
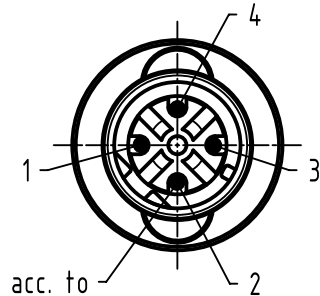


1 2 3 4 5 6



A (2:1)

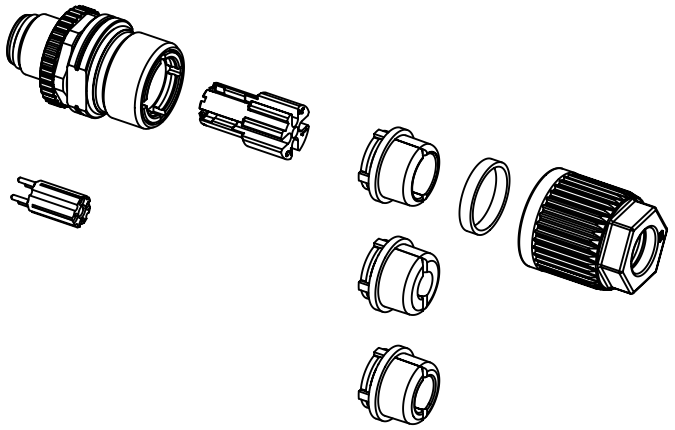


contact face acc. to IEC 61076-2-101



voltage	250V a.c/d.c
current	4A/40°C
working temperature	-40°C - +85°C

order contacts separately



cableø			wire gauge	part-no.
5.5-7.2mm	4.5-5.4mm	7.0-8.8mm		
sealing			AWG 26-22	09670005576
black	transparent	beige	AWG 24-20	09670008576
			AWG 22-18	09670003576

	All Dimensions in mm Original Size DIN A4	Scale 1:1	Free size tol.		Ref. Sub. TB21038822405 / 500000055781 / 09.10.2012	
	All rights reserved Department EC PD - DE	Created by EISFELD	Inspected by WELLMANN	Standardisation HOFFMANN	Date 2015-07-14	State Final Release
HARTING Electronics GmbH D-32339 Espelkamp		Title HARTING M12 crimp male D-coded 4-pole			Doc-Key / ECM-Nr. 100225462/UGD/002/H 500000090521	
		Type TB	Number 21038821405		Rev. H	Page 1/1