



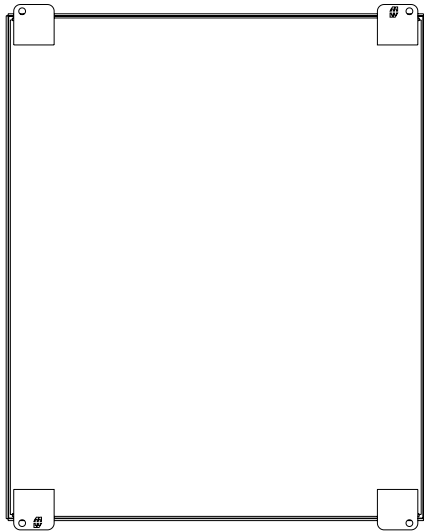
PART No. 1435M-42

for more information visit

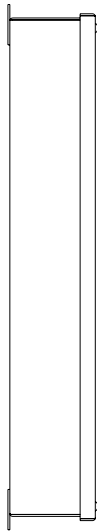
www.hammfg.com

Data subject to change without notice

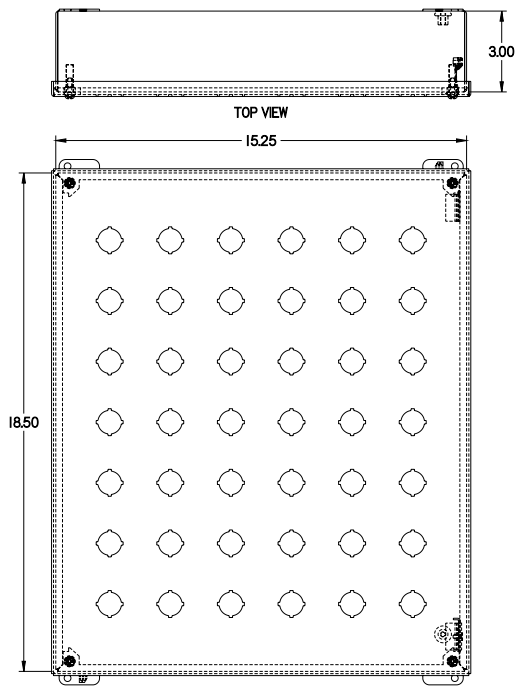
Isometric drawing Not to Scale



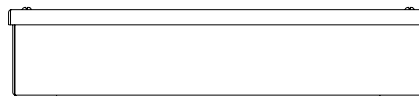
BACK VIEW



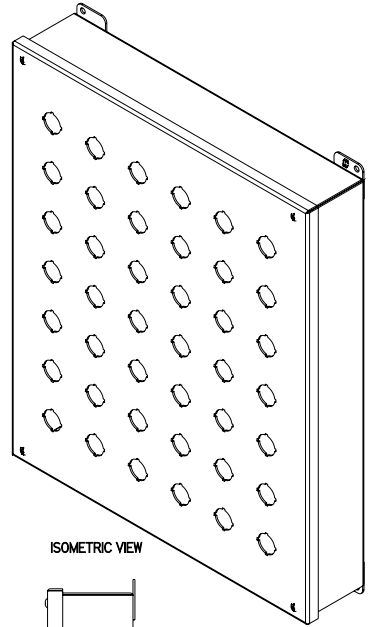
LEFT SIDE VIEW



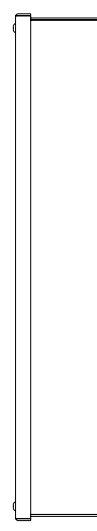
FRONT VIEW



BOTTOM VIEW



ISOMETRIC VIEW



RIGHT SIDE VIEW