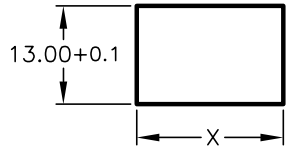
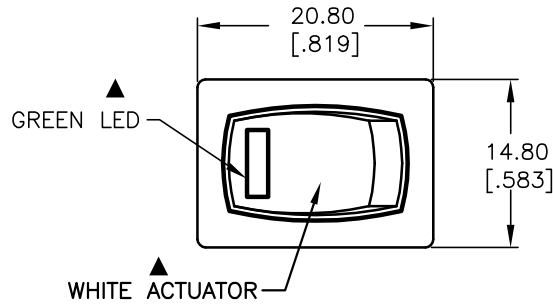
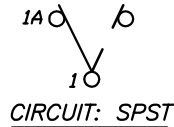


PANEL THICKNESS	X dimension
0.75-1.25 [.030-.049]	19.2- <i>0.1</i> [.756]
1.25-2.0 [.049-.079]	19.4- <i>0.1</i> [.764]
2.0-3.0 [.079-.118]	19.8- <i>0.1</i> [.780]



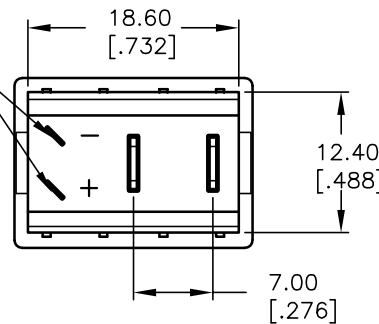
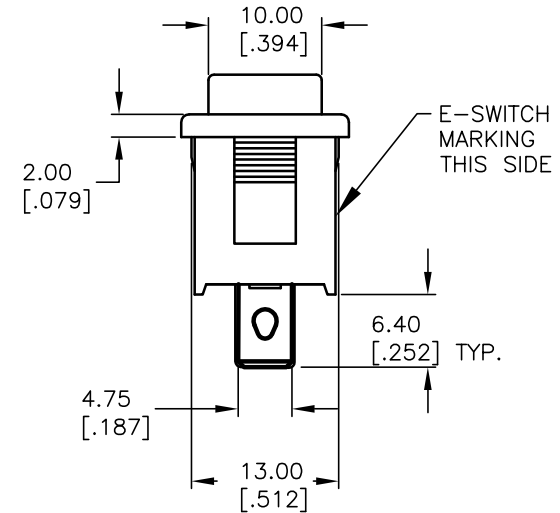
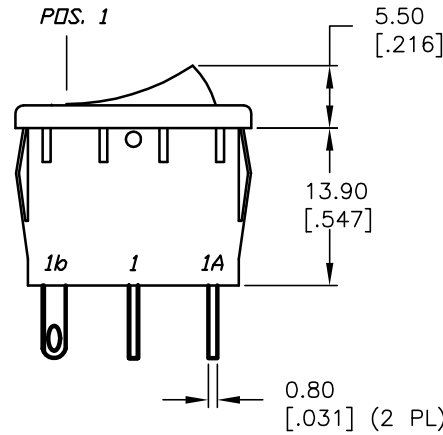
PANEL CUTOUT
NOT TO SCALE

SWITCH FUNCTION	
POS. 1	POS. 2
ON	OFF
1-1a	OPEN



GREEN L.E.D

PARAMETERS	SYMBOL	MAX.	TYP.	UNITS
POWER DISSIPATION	P_D	80		mW
AVE FORWARD CURRENT	I_{AF}	--		mA
PEAK FORWARD CURRENT	I_{PF}	100		mA
REVERSE VOLTAGE	V_R	5		V
FORWARD VOLTAGE	V_F	2.6	2	V
REVERSE CURRENT	I_R		100	μA
EMISSION WAVELENGTH	λ_P		570	nm
LUMINOUS INTENSITY	I_v		30	mcd



NOTES:

- ALL DIMENSIONS IN MM [INCH]
- GENERAL TOLERANCE: X.X=±0.4
X.XX=±0.25
- TERMINAL NUMBERS FOR REF ONLY
- RATING: 15A @ 125VAC OR 6A @ 250VAC
- MATERIALS: (TERMINALS) SILVER PLATED COPPER
(CONTACTS) COIN SILVER, SILVER PLATED.
- CONTACT RESISTANCE: <20 Mega
- ELECTRIC LIFE: 10,000 cycles
- INSULATION RESISTANCE: >1000 Mega
- DIELECTRIC STRENGTH: >1500V 1 minute
>3000V between Poles
- ▲ DENOTES CRITICAL PARAMETER.

E-SWITCH®

TITLE		R1966ABLKWHTEFGRN			
SCALE	DATE	DR	DWG	REV	
1.5:1	10/29/04	AR	M309208	A	

A	14444	RELEASED FOR PRODUCTION	10/29/04	AR
REV.	ECN No.	DESCRIPTION	DATE	CHKD

THE INFORMATION CONTAINED IN THIS DOCUMENT IS PROPRIETARY TO E-SWITCH AND IS NOT TO BE COPIED OR TRANSFERRED