

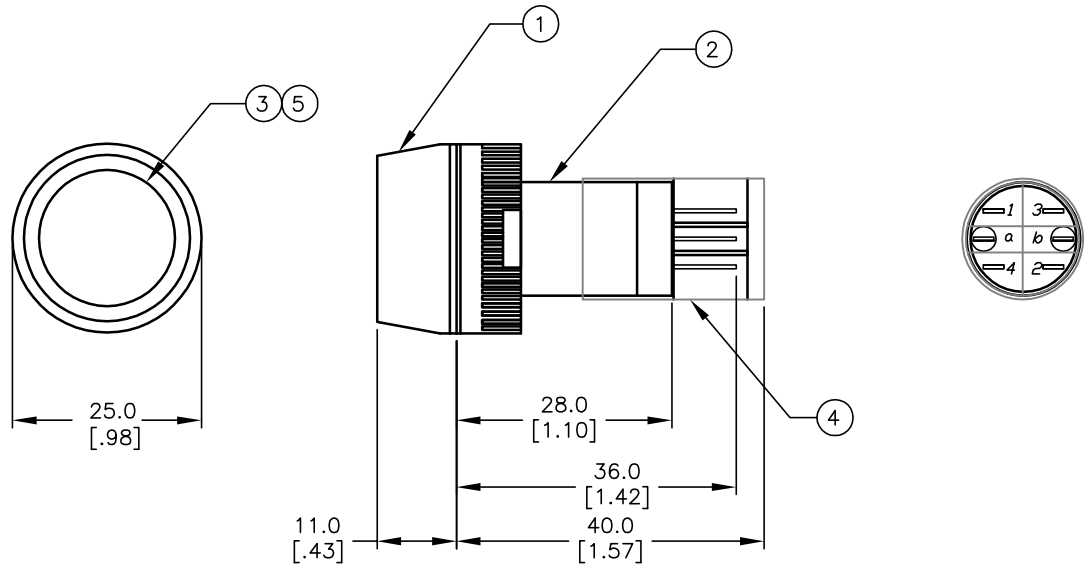
RECOMMENDED PANEL MOUNTING

1 o | o 2
 3 o o 4
 a - (L) - b (+)

SPST
 CONTACT CONFIGURATION

NOTES:

1. ALL DIMENSIONS IN MM
2. GENERAL TOLERANCE: X.X=±0.4
X.XX=±0.25
3. RATINGS: 5A @250V AC;
8A @125V AC
4. CONTACT MATERIAL:
COPPER ALLOY W/Silver Plating
5. LAMP VOLTAGE: 12V DC



PARTS LIST			
Item	Qty.	Dwg. No.	Part No.
1	1	F051702	25mm RING FOR LA SERIES
2	1	F060619	LAKEEV110 (BODY)
3	1	F060254	25mm GREEN LENS
4	-	SUPPLIED	P16 PLASTIC TERMINAL PROTECTOR
5	1	F050419	50-004-19 (GREEN 12 V LED)

E-SWITCH®

TITLE					LAKEEV11JGRNGRN									
SCALE	1:1		DATE	7/2/04		DR	AR		DWG	XF0596P		REV	A	

THE INFORMATION CONTAINED IN THIS DOCUMENT IS PROPRIETARY TO E-SWITCH AND IS NOT TO BE COPIED OR TRANSFERRED

A	14133	RELEASED FOR PRODUCTION	7/2/04	AR
REV.	ECN No.	DESCRIPTION	DATE	CHKD