

A

B

C

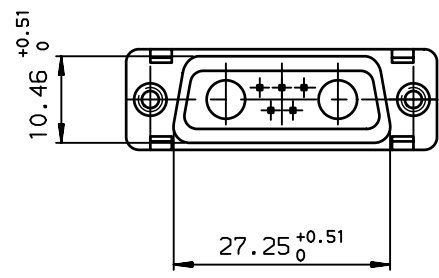
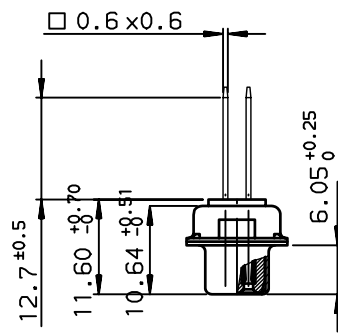
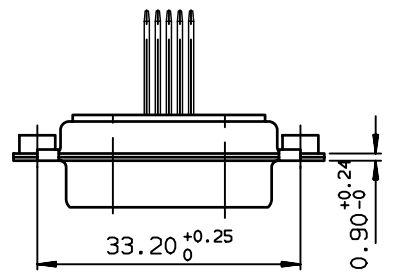
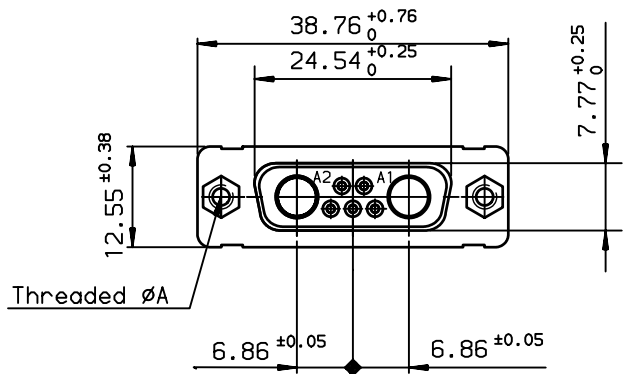
D

A

B

C

D



DAL7W2S400A00LF	M 3
DA07W2S400A00LF	UNC 4.40
PART NUMBER	Threaded A

GENERAL CHARACTERISTICS AND ROHS INFORMATIONS:
SEE DRAWING C01-8639-0000

European Views

www.fciconnect.com		surface ISO 1302	tolerance std ISO 406 ISO 1101	projection mm	size Scale	
TOLERANCES UNLESS OTHERWISE SPECIFIED		ANGULAR	LINEAR	0.X ±0.1	0.XX ±0.1	0.XXX ±0.1
Dr	PESSON	2005/11/22	0.XX ±0.1	0.XXX ±0.1	A3	1.5
Eng	PESSON	2005/11/22	0.XX ±0.1	0.XXX ±0.1	ECN	LS06-0095
Chr	LEGARE	2005/11/22	0.XX ±0.1	0.XXX ±0.1	Product family	D-SUB
Appr	LEGARE	2005/11/22	Product family	D-SUB	Spec ref	-

rev	ecn no	dr	date
A	LS05-0106	MPE	2005/11/22
B	LS06-0095	LGO	2006/06/15
-	-	-	-
-	-	-	-
-	-	-	-
-	-	-	-

FCI title **SOCKET CONNECTOR WITH WIRE WRAP** catalog no -

dwg no **C01-8639-2252** Rev. **B**

CUSTOMER sheet 1 of 1

Copyright FCI.
FCI