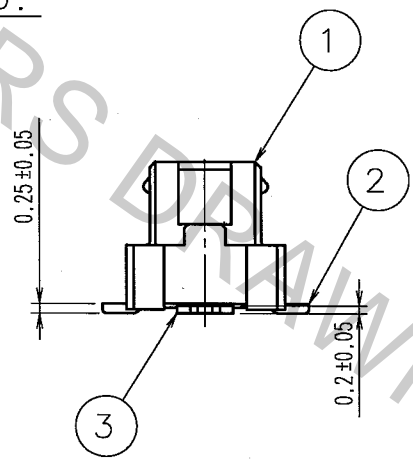
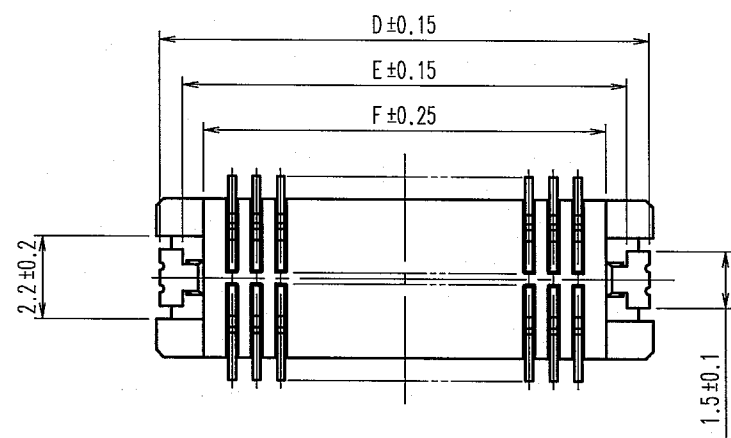
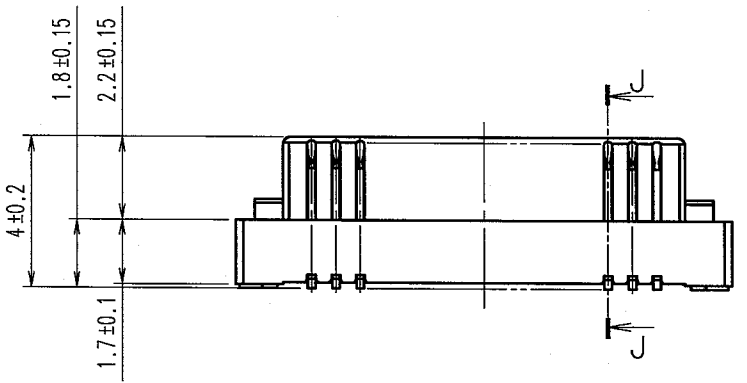
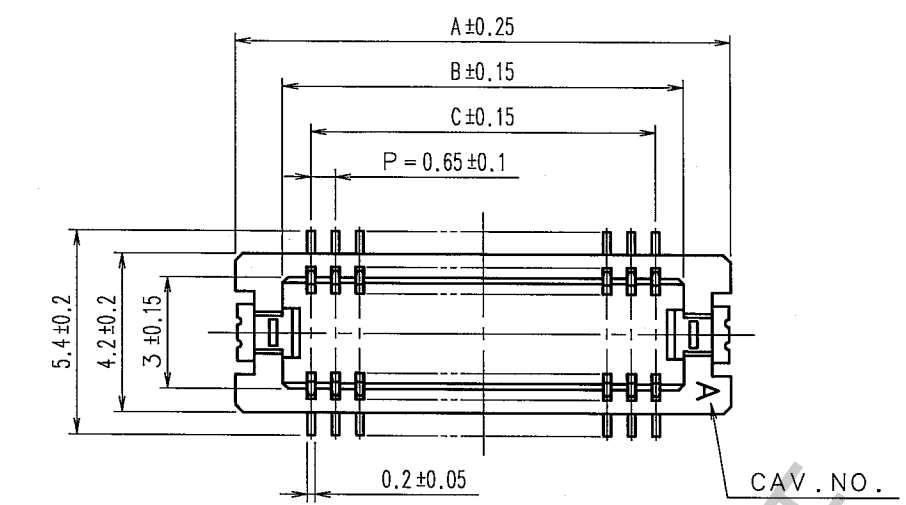


Sep.1.2018 Copyright 2018 HIROSE ELECTRIC CO., LTD. All Rights Reserved.
 In case that the application demands a high level of reliability, such as automotive,
 please contact a company representative for further information.

1 2 3 4 5 6 7 8

A
B
C
D
E
F

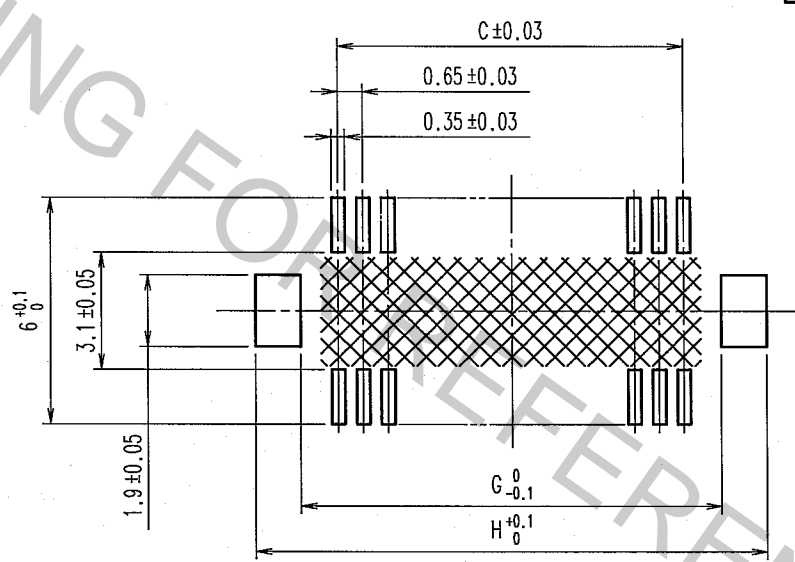


COUNT	DESCRIPTION OF REVISIONS	BY	CHKD	DATE	COUNT	DESCRIPTION OF REVISIONS	BY	CHKD	DATE

PART No.	CODE No.	CONTACTS	A	B	C	D	E	F	G	H
DF15B(1.8)-20DS-0.65V(56)	CL677-0062-2-56	20	9.85	7.35	5.85	9.65	8.45	7.35	7.85	10.25
DF15B(1.8)-30DS-0.65V(56)	CL677-0063-5-56	30	13.1	10.6	9.1	12.9	11.7	10.6	11.1	13.5
DF15B(1.8)-40DS-0.65V(56)	CL677-0064-8-56	40	16.35	13.85	12.35	16.15	14.95	13.85	14.35	16.75
DF15B(1.8)-50DS-0.65V(56)	CL677-0065-0-56	50	19.6	17.1	15.6	19.4	18.2	17.1	17.6	20.0

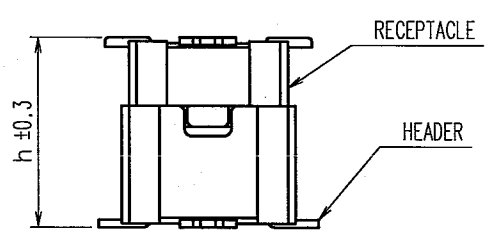
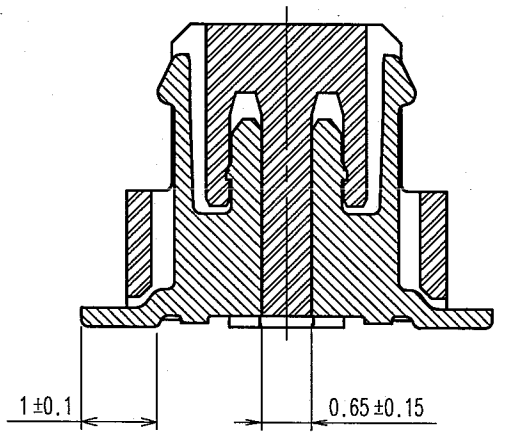
RECEPTACLE: DF15B(1.8)-*DS-0.65V(56)	
HEADER CONNECTOR	h(mm)
DF15*(3.2)-**DP-0.65V(56)	5
DF15*(4.2)-**DP-0.65V(56)	6
DF15*(6.2)-**DP-0.65V(56)	8

RECOMMENDED PATTERN



NOTES 1 : LEAD CO-PLANARITY SHALL BE 0.1mm MAX.
 2 : WATCH NOT LET THE CONTACTS TOUCH THE SECTION ESPECIALLY WHEN THE PADS OF AREA NOT RESIST FINISHED.

J-J (10:1)



2	PHOSPHOR BRONZE	CONTACT AREA: GOLD PLATED 0.1μm min LEAD AREA: GOLD PLATED 0.02μm OTHERS (UNDER PLATING): NICKEL PLATED 1μm min	6	PS	BLACK (PLASTIC REEL)
1	POLYAMIDE	UL94V-0, NATURAL (BEIGE)	5	POLYESTER	CLEAR (COVER TAPE)
			4	PS	CLEAR (EMBOSSED CARRIER TAPE)
			3	BRASS	TIN PLATED 1μm min (UNDER PLATING): NICKEL 1μm min

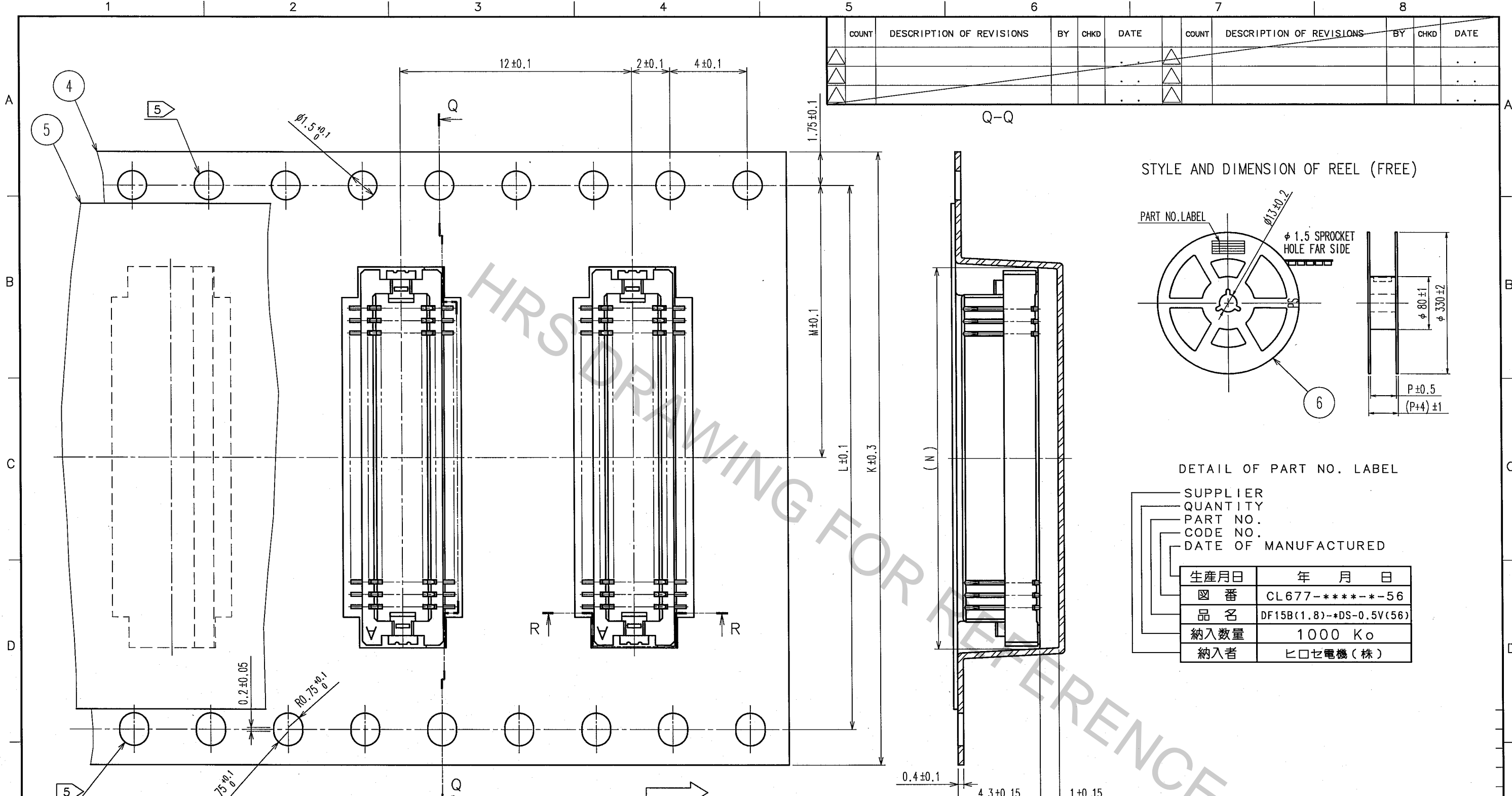
NO.	MATERIAL	FINISH, REMARKS	NO.	MATERIAL	FINISH, REMARKS
CODE NO. (OLD)	CL		DRAWN	DESIGNED	CHECKED
			H. Murakami	Y. Michida	T. Miyazaki
			05.10.5	05.10.5	05.10.05
				APPROVED	RELEASED
				M. Yokomura	
				05.10.06	

 SCALE 5 : 1 UNITS mm	DRAWING NO. EDC3-302772-01 HRS HIROSE ELECTRIC CO., LTD	PART NO. DF15B(1.8)-*DS-0.65V(56) CODE NO. CL677	1/2
-----------------------------------	---	---	-----

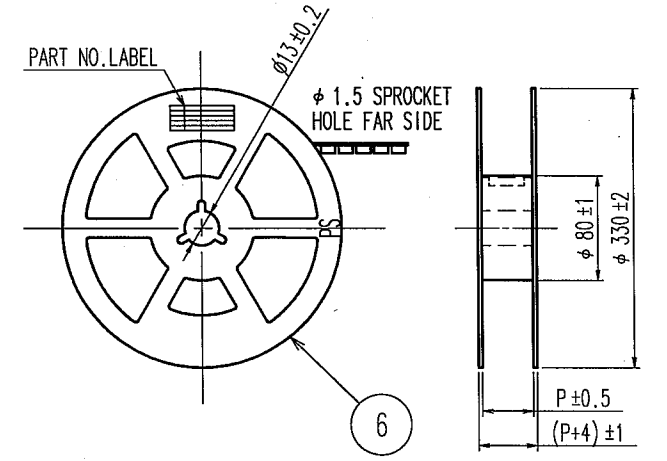
1 2 3 4 5 6 7 8

Sep.1.2018 Copyright 2018 HIROSE ELECTRIC CO., LTD. All Rights Reserved.
 In case that the application demands a high level of reliability, such as automotive,
 please contact a company representative for further information.

COUNT	DESCRIPTION OF REVISIONS	BY	CHKD	DATE	COUNT	DESCRIPTION OF REVISIONS	BY	CHKD	DATE



STYLE AND DIMENSION OF REEL (FREE)



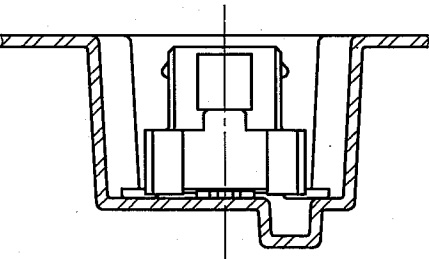
DETAIL OF PART NO. LABEL

SUPPLIER	
QUANTITY	
PART NO.	
CODE NO.	
DATE OF MANUFACTURED	
生産月日	年 月 日
図 番	CL677-****-**-56
品 名	DF15B(1.8)-*DS-0.5V(56)
納入数量	1000 Ko
納入者	ヒロセ電機(株)

DIRECTION OF UNREELING

- NOTES
- 3:1 REEL:1000 CONNECTORS.
 - 4: AT THE BEGINNING OF THE REEL, 30 COMPONENTS SHALL BE EMPTY. AT THE END OF THE REEL, 20 COMPONENTS SHALL BE EMPTY.
 - 5: WHEN THE TAPE WIDTH IS 32mm OR 44mm, SPROCKET HOLES SHALL BE SET ON BOTH SIDES OF REEL AS SHOWN ON THIS DRAWING.
 - 6: PEEL FORCE REFERS TO JIS C 0806.

PART No.	CODE No.	K	L	M	N	P
DF15B(1.8)-20DS-0.65V(56)	CL677-0062-2-56	16.0	-	7.5	10.15	17.5
DF15B(1.8)-30DS-0.65V(56)	CL677-0063-5-56	24.0	-	11.5	13.4	25.5
DF15B(1.8)-40DS-0.65V(56)	CL677-0064-8-56	24.0	-	11.5	16.65	25.5
DF15B(1.8)-50DS-0.65V(56)	CL677-0065-0-56	32.0	28.4	14.2	19.9	33.5



CODE NO. (OLD) CL	DRAWN <i>H. Murakami</i> 05.10.5	DESIGNED <i>Y. Michida</i> 06.10.5	CHECKED <i>T. Miyajiki</i> 06.10.05	APPROVED <i>H. Nakamura</i> 05.10.06	RELEASED
DRAWING NO. EDC3-302772-01		PART NO. DF15B(1.8)-*DS-0.65V(56)			
SCALE FREE		CODE NO. CL677			
UNITS mm		HRS HIROSE ELECTRIC CO., LTD			

TO