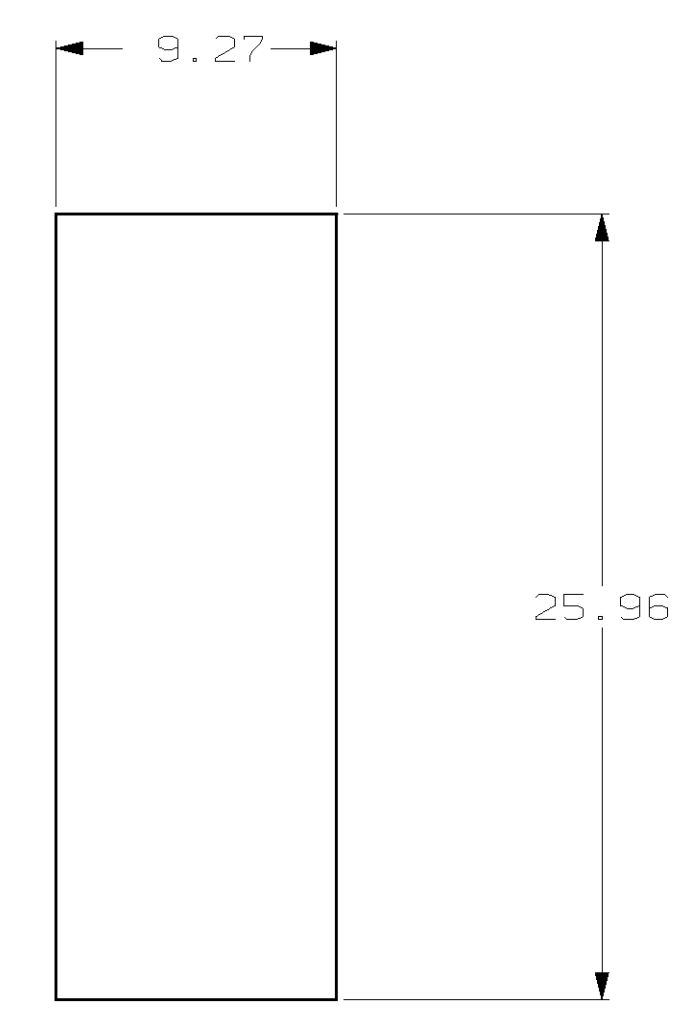
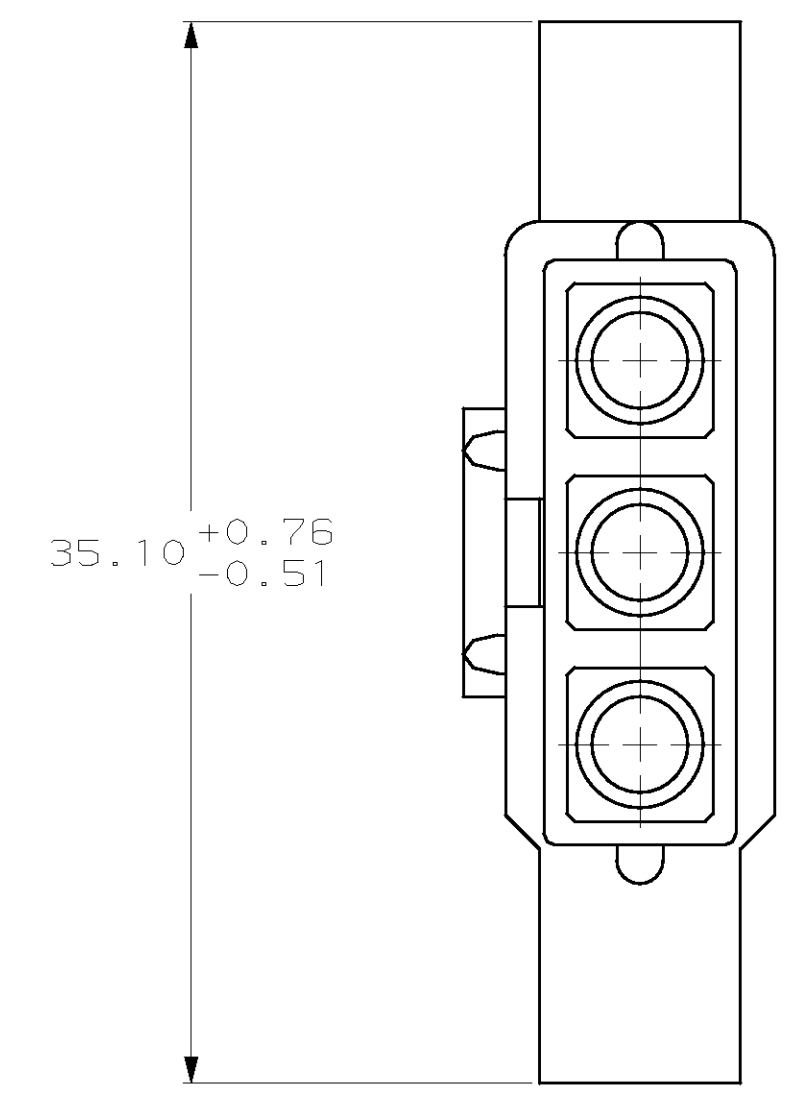
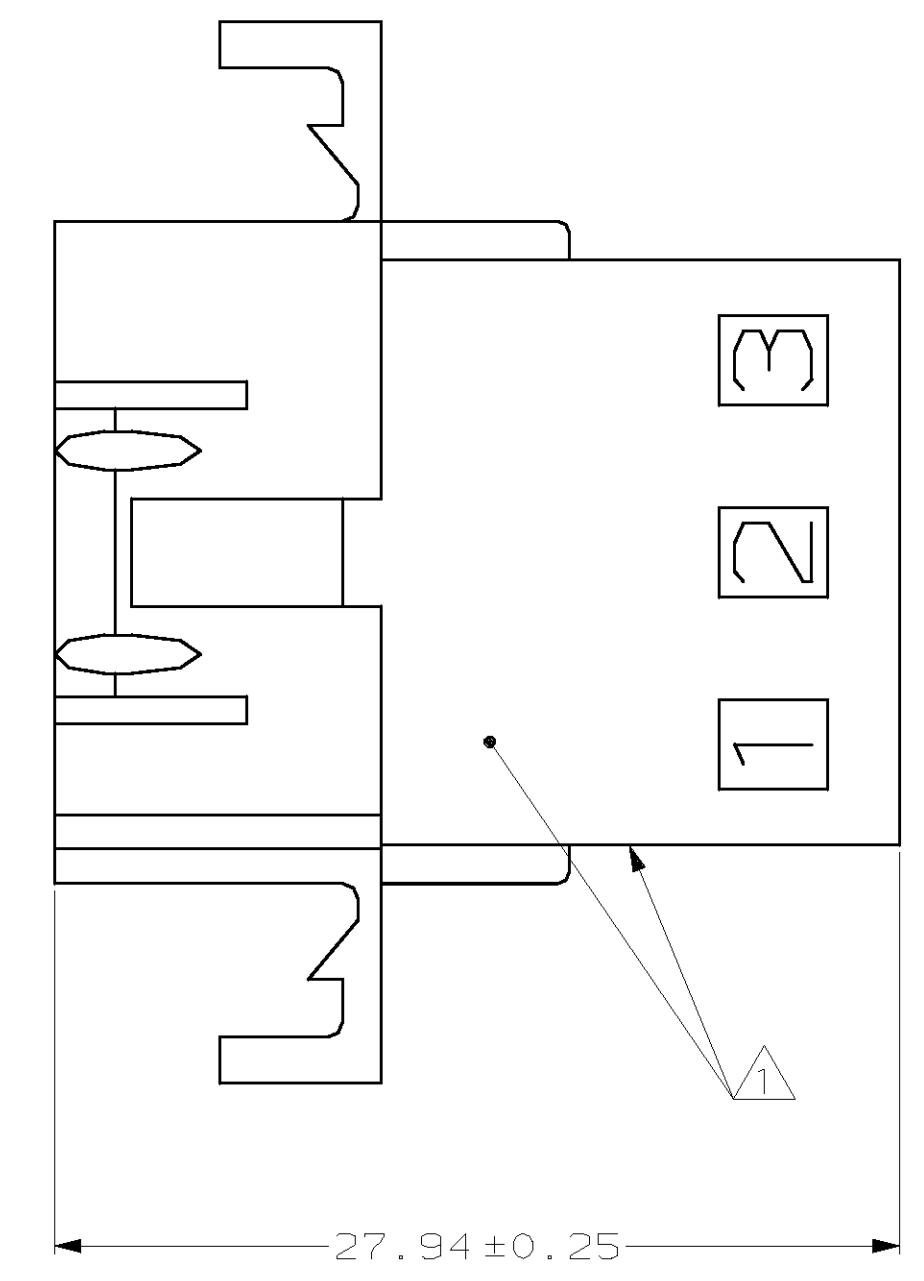
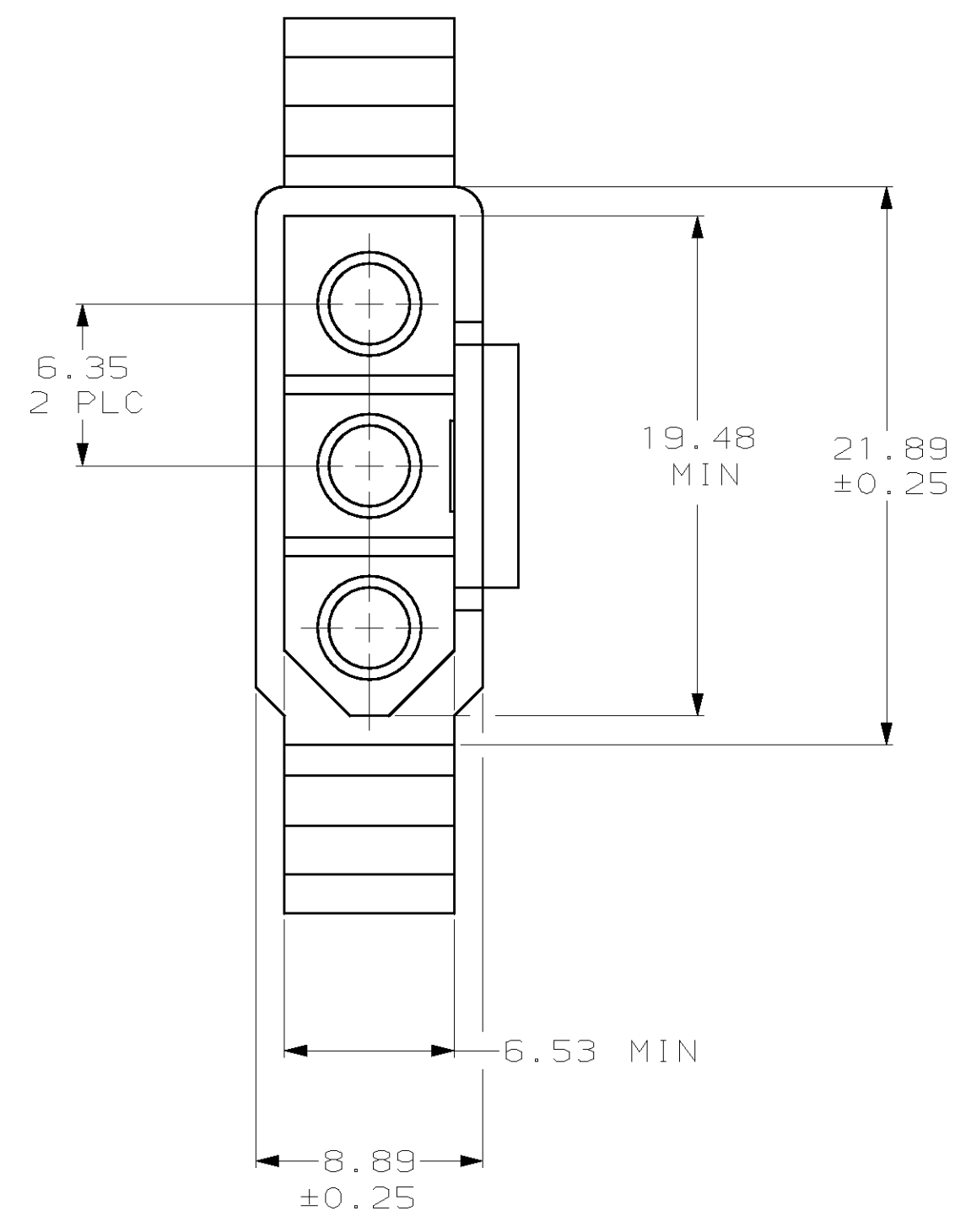
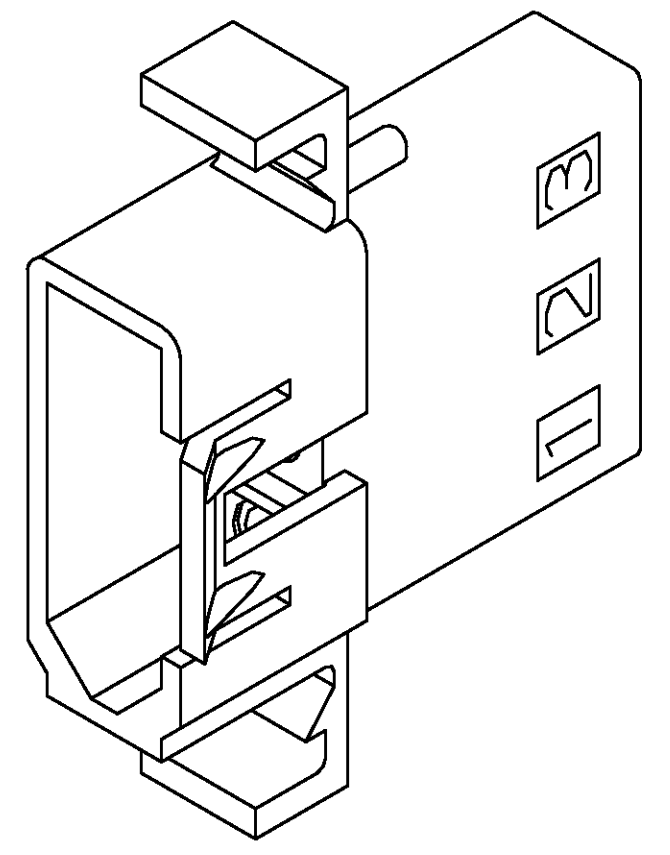


LOC		QTY		REVISIONS			
CM	53	TR	LYR	DESCRIPTION	DATE	DWN	APVD
E				REV & REDWN PER EC 0L30-0248-97	11-19-97	KW	RS

△ AMP LOGO AND CAVITY NUMBERS LOCATED ON EITHER SURFACE, OPPOSITE SIDE OPTIONAL.



RECOMMENDED CUT OUT FOR 1.58 MAX THICK PANEL



3-DIMENSIONAL MODEL NTS

MM	IN	MM	IN
6.53	.257	35.10	1.382
6.35	.250	27.94	1.100
1.58	.062	25.96	1.022
0.76	.030	21.89	.862
0.51	.020	19.48	.767
0.25	.010	9.27	.365
0.13	.005	8.89	.350
MM	IN	MM	IN

CONVERSION TABLE

770338-1
PART NUMBER

METRIC

THIS DRAWING IS A CONTROLLED DOCUMENT.

DIMENSIONS:	TOLERANCES UNLESS OTHERWISE SPECIFIED:	DWN	K. WHITAKER	11-19-97
mm	0.13	CHK	R. SWING	11-19-97
APVD	K. COBLE	DATE	11-19-97	
MATERIAL	NYLON, JL 94V-2, NATURAL	PRODUCT SPEC	AMP Incorporated Harrisburg, PA 17105-3608	
FINISH		APPLICATION SPEC	PLUG, PANEL MOUNT, 3 CIRCUIT, .250 PIN AND SOCKET	
HEIGHT		SIZE	A1	007799
CUSTOMER DRAWING	SCALE	4:1	SHEET	1 OF 1