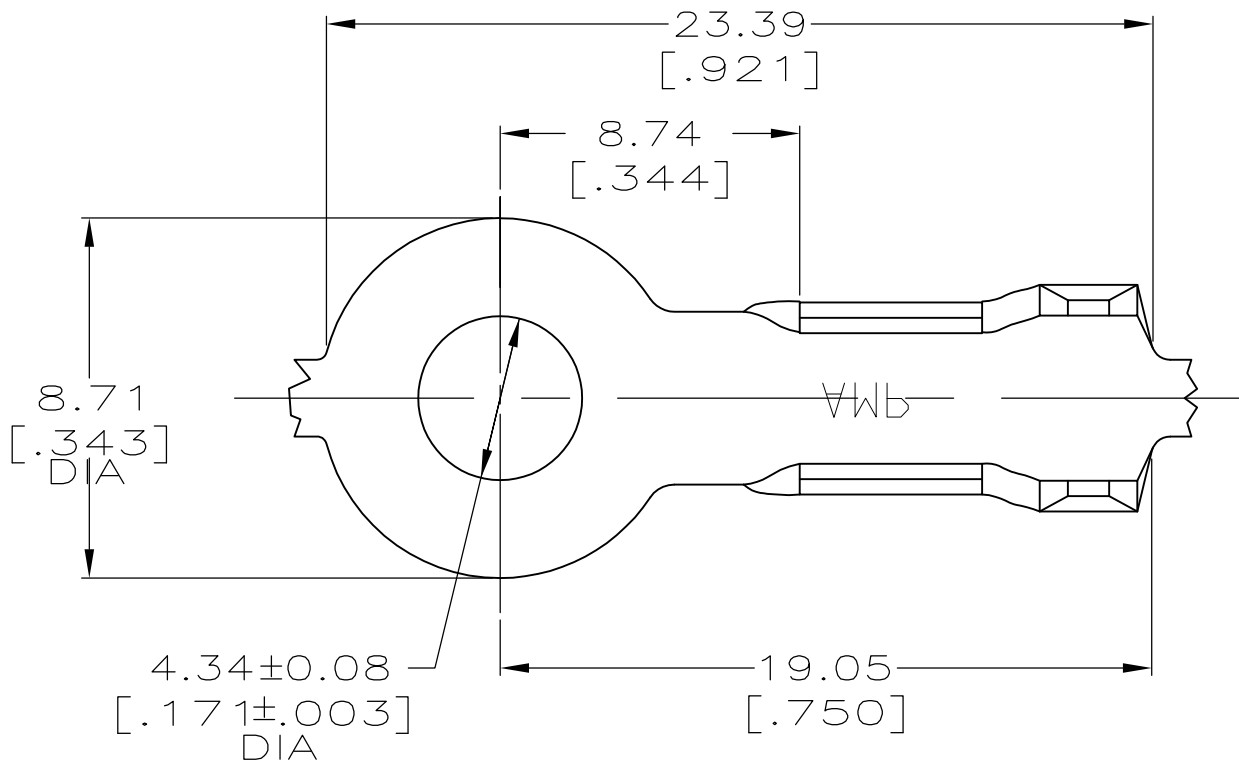
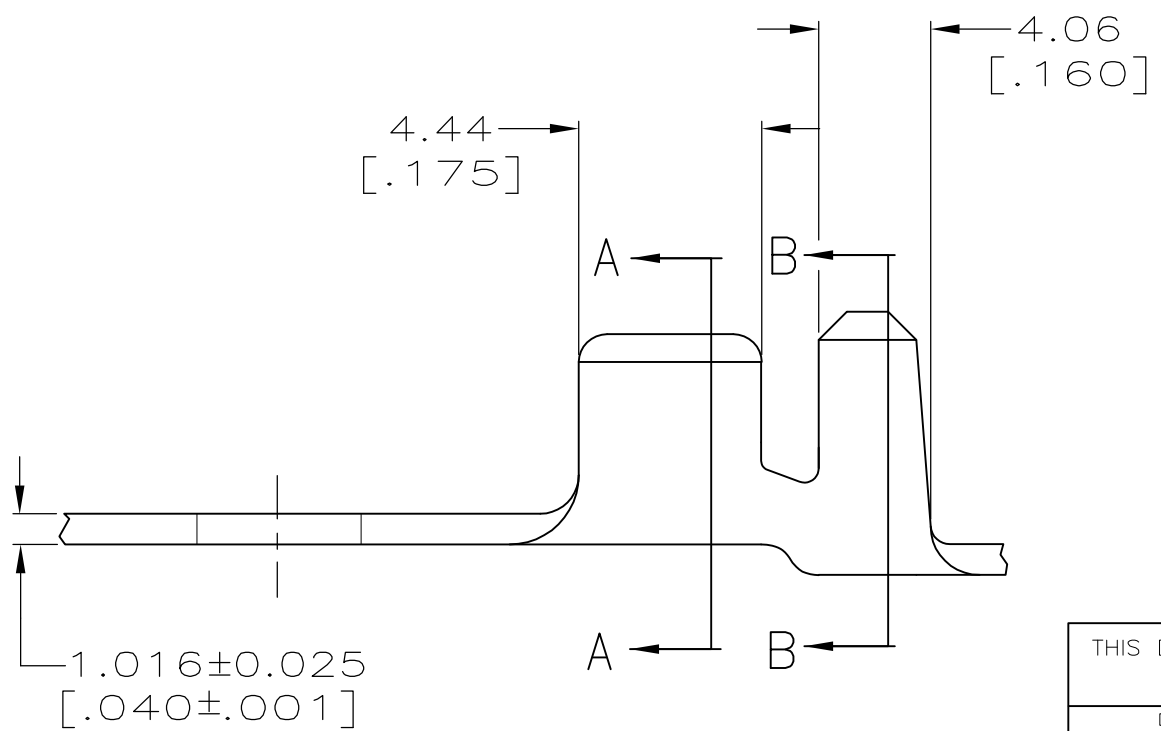
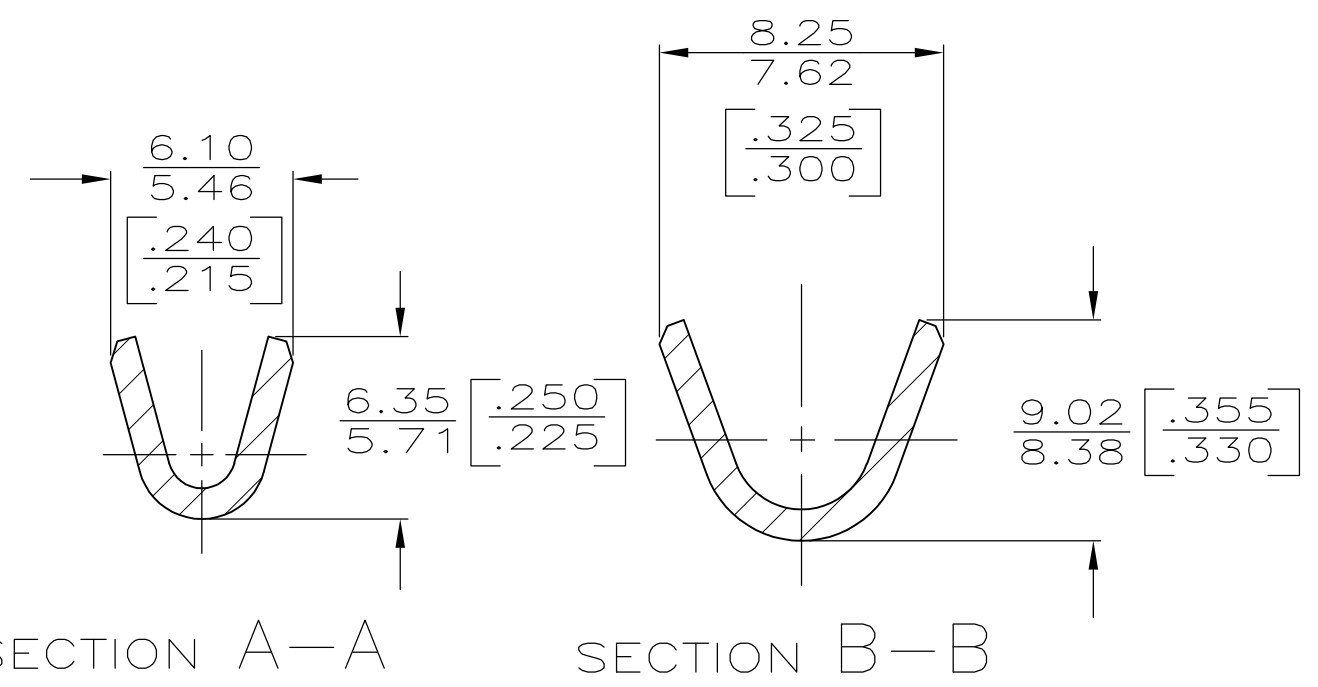


THIS DRAWING IS UNPUBLISHED. RELEASED FOR PUBLICATION
 © COPYRIGHT BY TYCO ELECTRONICS CORPORATION. ALL INTERNATIONAL RIGHTS RESERVED.

LOC	DIST	REVISIONS			
P	LTR	DESCRIPTION	DATE	DWN	APVD
AF	50	J	REVISED PER ECR-10-006099	07JUL10	HMR PD



1 CONTINUOUS STRIP ON REEL.



4.32-5.33 DIA [.170-.210]	[12-10] AWG	42863-2
INSULATION RANGE	WIRE RANGE	PART NO

THIS DRAWING IS A CONTROLLED DOCUMENT.		DWN 27/JUN/95 PHILLIP M FORTNEY	Tyco Electronics Corporation Harrisburg, PA 17105-3608	
DIMENSIONS: mm [INCHES]		CHK 27/JUN/95 JEFF R RUTH	NAME	
TOLERANCES UNLESS OTHERWISE SPECIFIED:		APVD 27/JUN/95 GARY YETTER	RING	
<ul style="list-style-type: none"> 0 PLC ± - 1 PLC ± - 2 PLC ± 0.38 [.015] 3 PLC ± - 4 PLC ± - ANGLES ± - 		PRODUCT SPEC	RESTRICTED TO	
MATERIAL 082 BRASS		APPLICATION SPEC	SIZE A3	CAGE CODE 00779
FINISH TIN		WEIGHT -	DRAWING NO C-42863	REV J
CUSTOMER DRAWING			SCALE 5:1	SHEET 1 OF 1