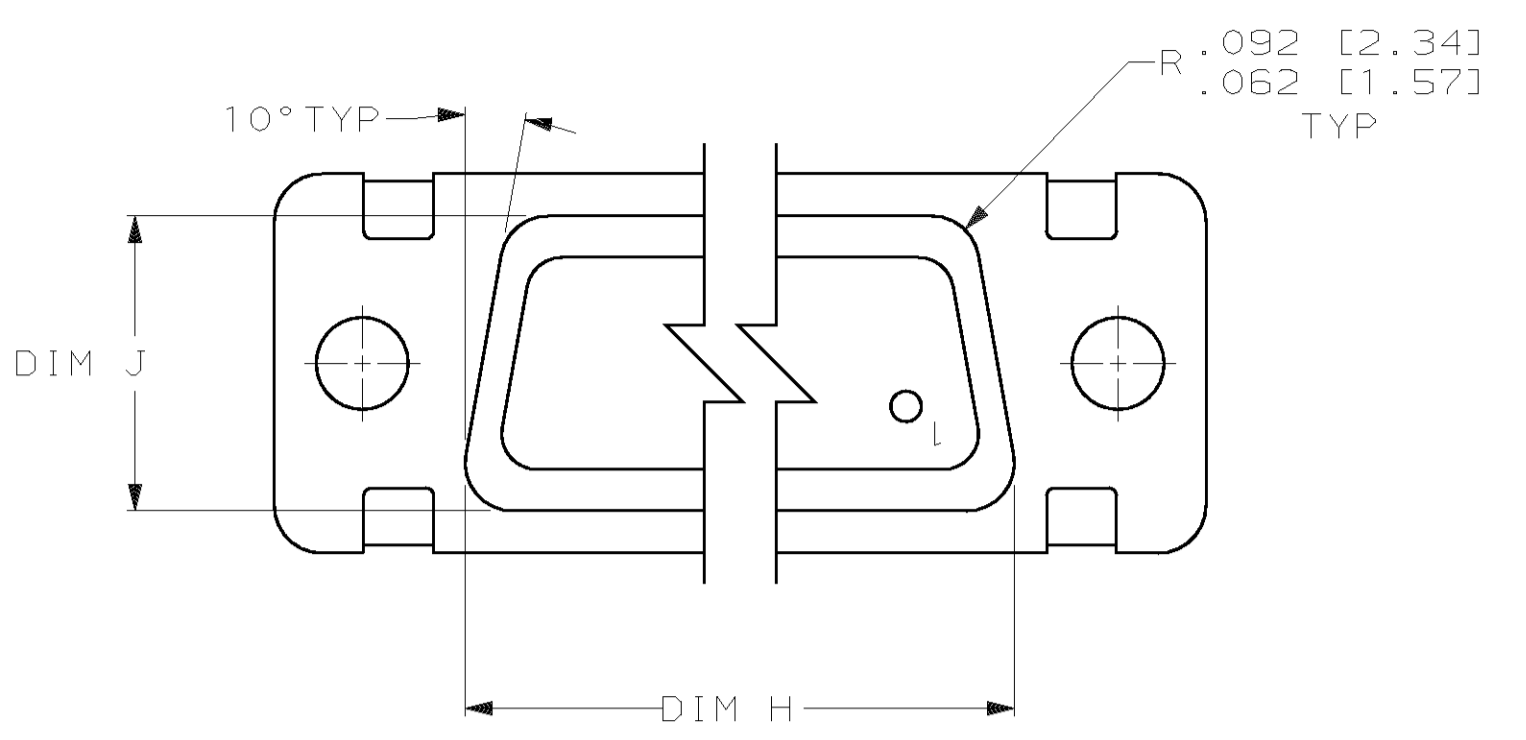
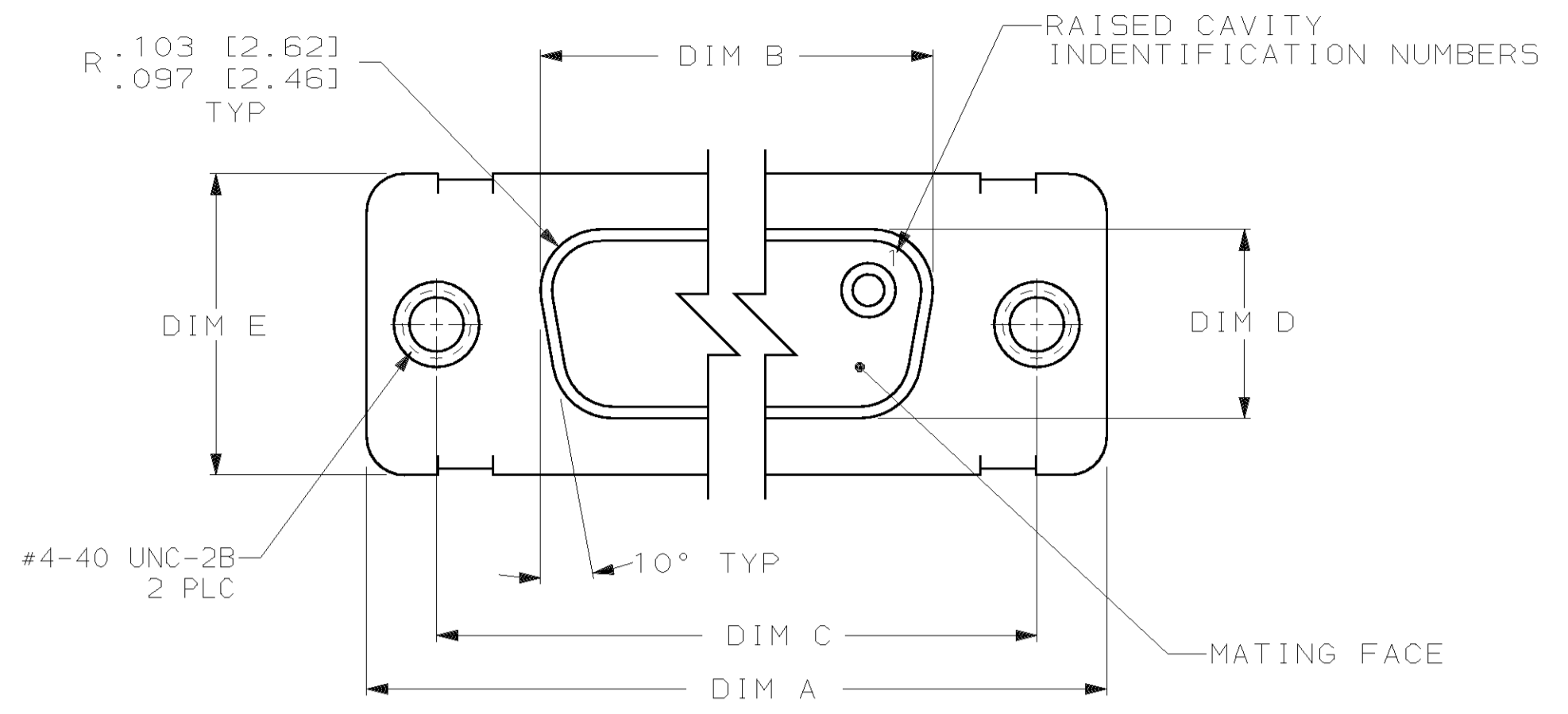


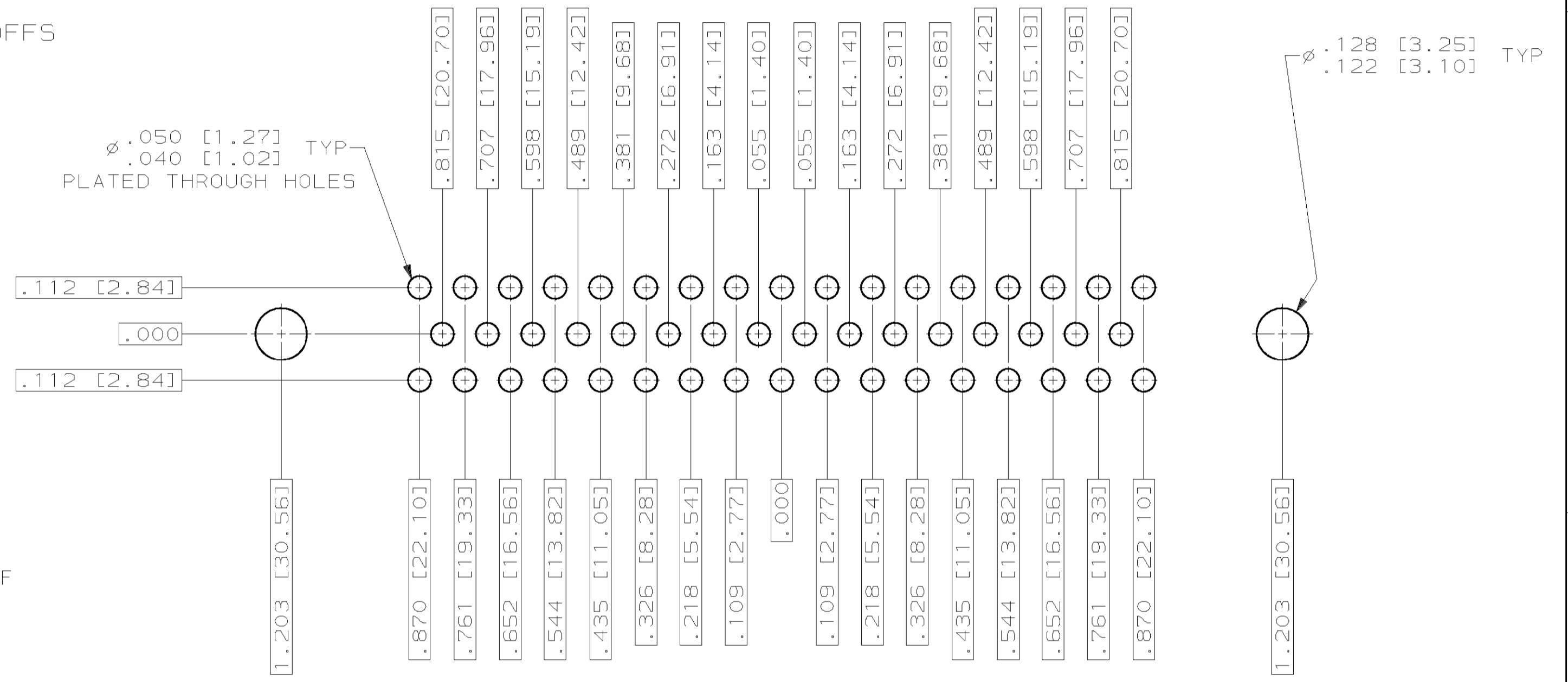
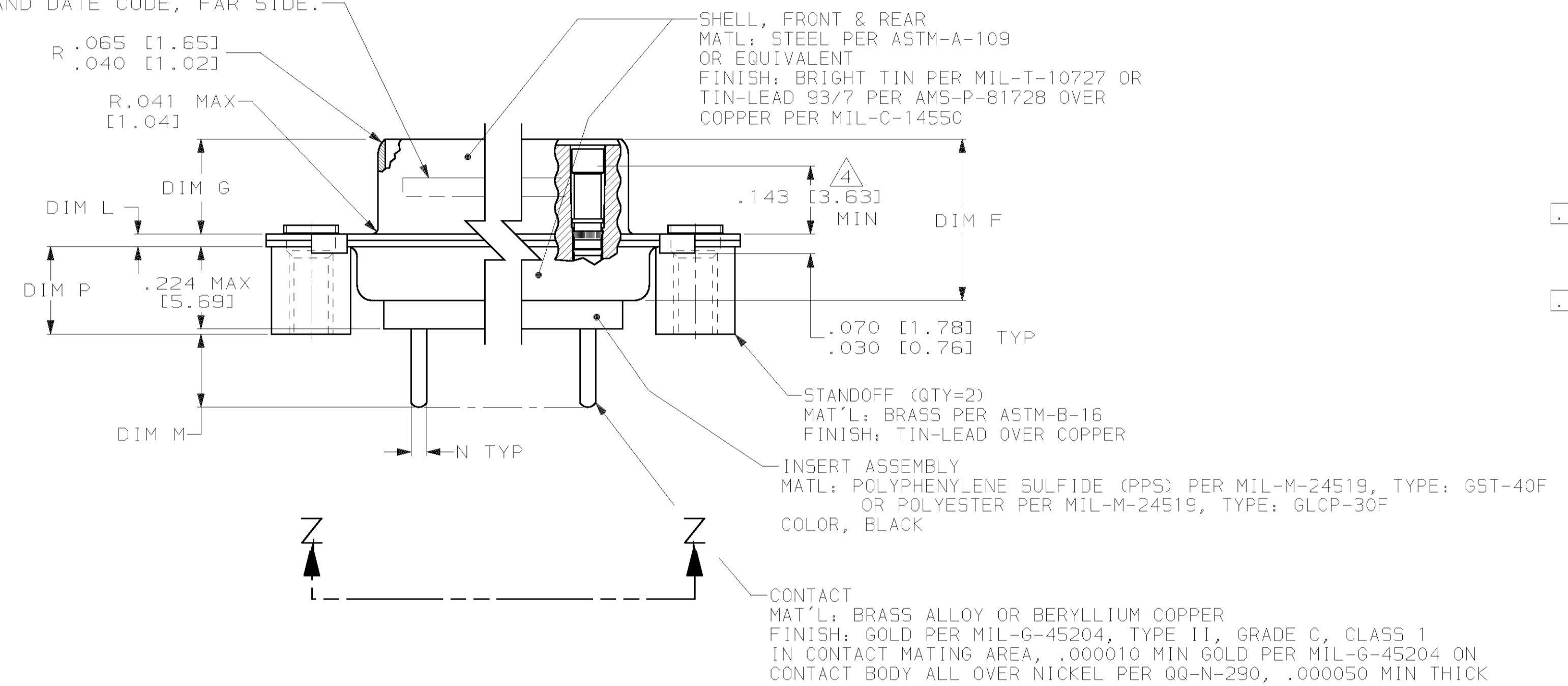
LOC	DF	DO	REV	DESCRIPTION	DATE	BY	APPV
			0	PRPOPSAL DRAWING	4-01	CT	DM



VIEW Z-Z
SHOWN WITHOUT
CONTACTS & STANDOFFS

- TRUE POSITION TOLERANCE FOR P.C. BOARD LAYOUT IS .010 [0.25] AT MAX MATERIAL CONDITION. SUGGESTED BOARD THICKNESS IS .094 [2.39]
- THE CONNECTORS DESCRIBED IN THIS DOCUMENT WILL MATE WITH ANY PLUG CONNECTOR WITH THE SAME INSERT ARRANGEMENT.
- MARKED WITH .047 [1.19]-.062 [1.57] HIGH CHARACTERS. FAR SIDE REFERS TO THE WIDE SIDE OF THE KEYSTONE. NEAR SIDE REFERS TO THE NARROW SIDE OF THE KEYSTONE. IF THE FRONT SHELL IS TOO SMALL FOR "AMP", AMP PART NUMBER AND DATE CODE, THEN SPLIT AS FOLLOWS:
A. AMP PART NUMBER ON REAR SHELL, NEAR SIDE.
B. "AMP" AND DATE CODE ON FRONT SHELL, NEAR SIDE.
- POINT OF ELECTRICAL ENGAGEMENT - AS MEASURED WITH A .0390 [0.991]-.0393 [0.998] DIA SQUARE ENDED TEST PIN.

3 MARK AMP, AMP PART NO AND DATE CODE, FAR SIDE.



RECOMMENDED P.C. BOARD LAYOUT
SHELL SIZE 5 (50 POSITION)

.230 [5.84]	.033 [0.84]	.171 [4.34]	.040 [1.02]	.544 [13.82]	2.188 [55.58]	.248 [6.30]	.439 [11.15]	.620 [15.75]	.428 [10.87]	2.411 [61.24]	2.069 [52.55]	2.650 [67.31]	M518277-1	50	5	1218997-5
.220 [5.59]	.027 [0.69]	.131 [3.33]	.020 [0.51]	.524 [13.31]	2.168 [55.07]	.238 [6.05]	.419 [10.64]	.590 [14.99]	.418 [10.62]	2.401 [60.99]	2.059 [52.30]	2.620 [66.55]	INSERT ARRANGEMENT	NO OF POS	SHELL SIZE	PART NUMBER
P	N	M	L	J	H	G	F	E	D	C	B	A				

PRELIMINARY- NOT RELEASED FOR PRODUCTION

THIS DRAWING IS A CONTROLLED DOCUMENT.

DIMENSIONS: INCHES (mm)	TOLERANCES UNLESS OTHERWISE SPECIFIED:	DRAWN: C.C. THOMAS 4-23-01	AMP Incorporated Harrisburg, PA 17105-3608
0 PLC ±.01	1 PLC ±.02	CHK: D. MILLER 4-23-01	AMP AMPLIMITE RECEPTACLE ASSY, LOW PROFILE SIZE 20 POSTED P.C. BOARD CONTACTS SERIES 109, SIZE 5
2 PLC ±.03	3 PLC ±.04	APPV: D. MILLER 4-23-01	SIZE: A1 CAGE CODE: 00779 DRAWING NO: 1218997
4 PLC ±.05	ANGLES ±.01	MATERIAL: SEE CALLOUTS	RESTRICTED TO: -
FINISH: SEE CALLOUTS	WEIGHT: -	CUSTOMER DRAWING	SCALE: 4:1 SHEET: 1 OF 1 REV: 0