

13

12

11

10

9

8

7

6

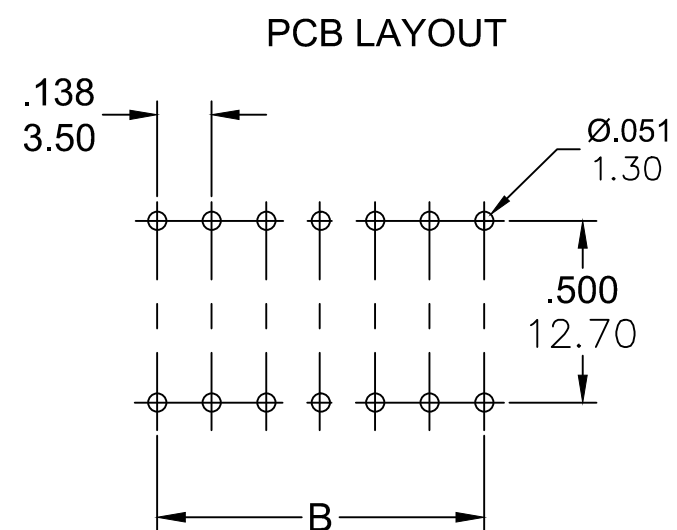
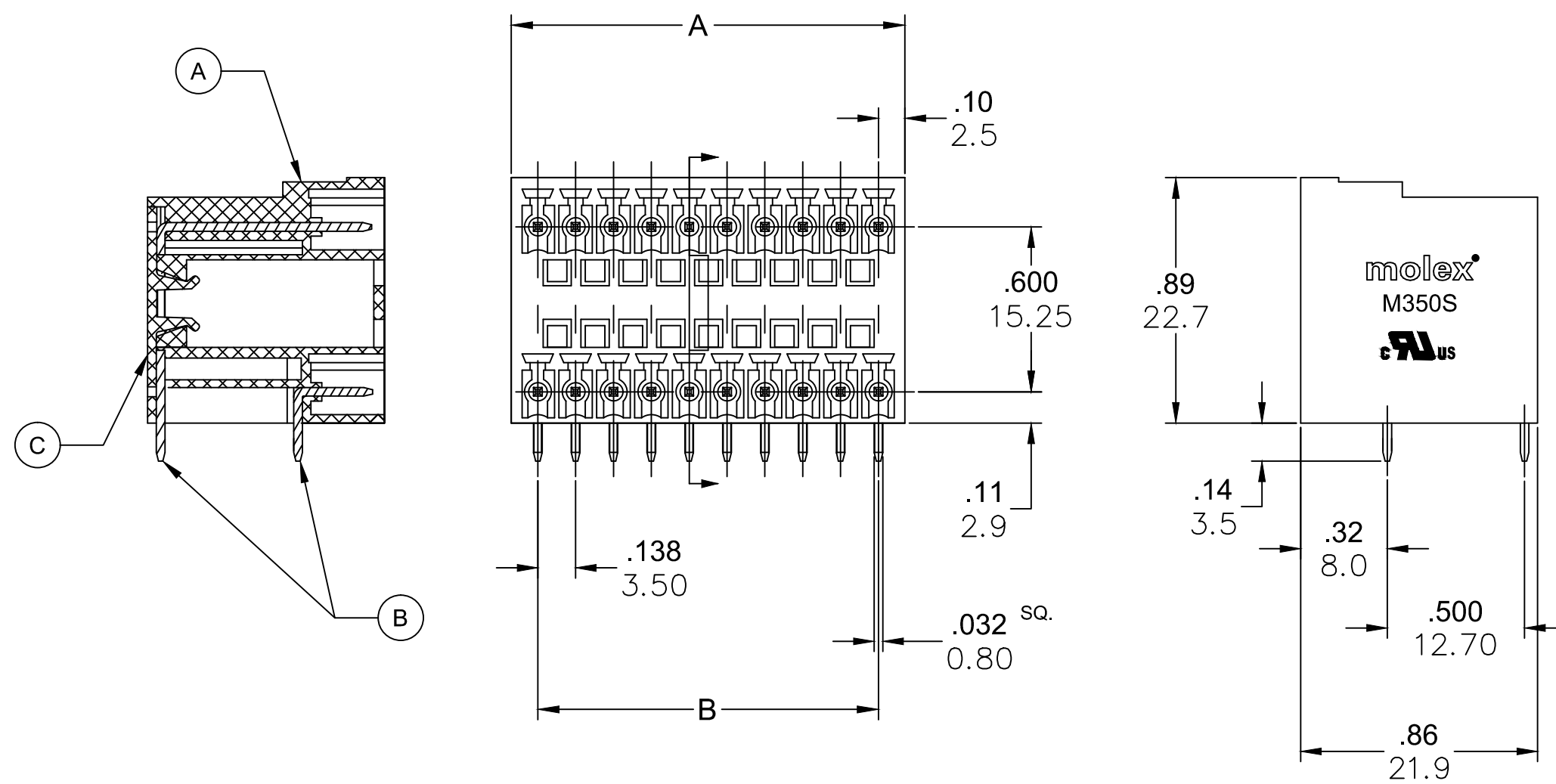
5

4

3

2

1

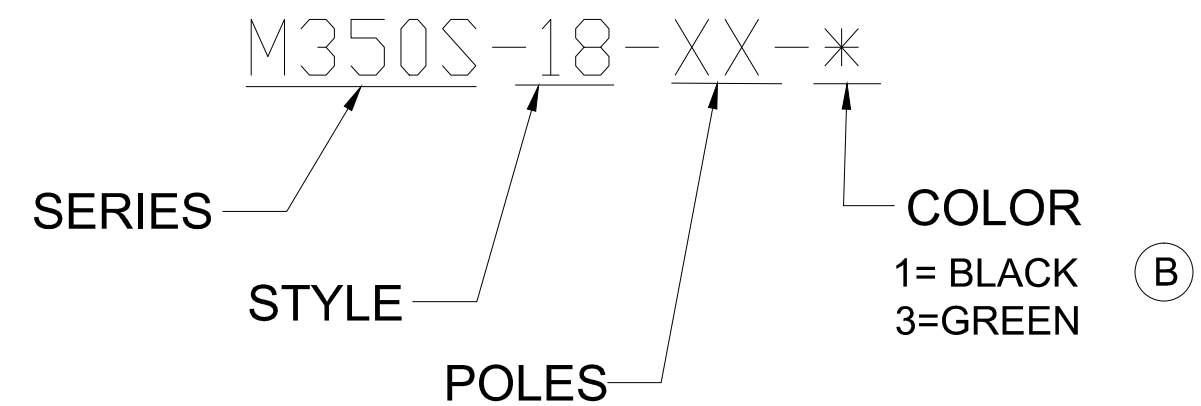


PART NUMBER DATA

CIRCUITS	PART NO. GREEN	ENGINEERING NUMBER	PART NO. BLACK (B)		A IN mm		B IN mm	
			PART NO. BLACK	ENGINEERING NUMBER				
2	397220002	M350S-18-02-3			.33	8.4	.138	3.50
3	397220003	M350S-18-03-3			.47	11.9	.276	7.00
4	397220004	M350S-18-04-3			.61	15.4	.413	10.50
5	397220005	M350S-18-05-3			.74	18.9	.551	14.00
6	397220006	M350S-18-06-3			.88	22.4	.689	17.50
7	397220007	M350S-18-07-3			1.02	25.9	.827	21.00
8	397220008	M350S-18-08-3			1.16	29.4	.965	24.50
9	397220009	M350S-18-09-3			1.30	32.9	1.102	28.00
10	397220010	M350S-18-10-3	397220110	M350S-18-10-1	1.43	36.4	1.240	31.50
11	397220011	M350S-18-11-3			1.57	39.9	1.378	35.00
12	397220012	M350S-18-12-3	397220112	M350S-18-12-1	1.71	43.4	1.516	38.50
13	**	M350S-18-13-3			1.85	46.9	1.654	42.00
14	**	M350S-18-14-3			1.98	50.4	1.791	45.50
15	**	M350S-18-15-3			2.12	53.9	1.929	49.00
16	**	M350S-18-16-3			2.26	57.4	2.067	52.50
17	**	M350S-18-17-3			2.40	60.9	2.205	56.00
18	**	M350S-18-18-3			2.54	64.4	2.343	59.50
19	**	M350S-18-19-3			2.67	67.9	2.480	63.00
20	**	M350S-18-20-3			2.81	71.4	2.618	66.50

REF. LAST 2 DIGITS OF PART NUMBER EQUALS NUMBER OF POLES

ENGINEERING NUMBER LEGEND



** CONTACT FACTORY FOR ADDITIONAL LENGTHS AND COLORS

SPECIFICATIONS

- MATERIAL:
 - BODY: PA66, UL 94V-0
 - TERMINALS: BRASS, TIN PLATED
 - COVER: PA66, UL 94V-0
- RATING: 300V, 8A
- INSULATION RESISTANCE: DC 500V, 500MΩ
- DIELECTRIC WITHSTAND: AC 2000V / 1 MINUTE
- OPERATING TEMPERATURE: -40°C TO +105°C
- MAX SOLDERING TEMPERATURE: +260°C FOR 5 SEC.
- MATES WITH TERMINAL PLUG SERIES: 39500, 39503
- DIMS SHOWN ARE FOR REFERENCE ONLY

TOLERANCES

MM	TOL	INCH	TOL
0-6	±0.25	0-.24	±.010
>6-30	±0.40	.24-1.18	±.016
>30-120	±0.50	1.18-4.76	±.020
>120	±0.80	>4.76	±.031

REVISED DOC TOL EC NO.: ICG2017-0881 DRWN: ABENJAMI CHKD: --- APPR: BRUPERT 2014/10/16 REV B1	QUALITY SYMBOL ▽=0 ▽C=0	GENERAL TOLERANCES (UNLESS SPECIFIED)		DIMENSION STYLE IN/MM		SCALE ---	DESIGN UNITS METRIC	THIRD ANGLE PROJECTION	
		mm	INCH	DRAWN BY	DATE	TITLE	3.50MM EURO HEADER RIGHT ANGLE DUAL ROW		
		4 PLACES	±---	±---	RSTONE	2014/01/21			
		3 PLACES	±---	±---	CHECKED BY	DATE			
		2 PLACES	±---	±---	G. FARNS	----			
		1 PLACE	±---	±---	APPROVED BY	DATE			
		ANGULAR ±---°		JFMURPHY	2014/10/16				
		DRAFT WHERE APPLICABLE MUST REMAIN WITHIN DIMENSIONS		MATERIAL NO. SEE CHART		MOLEX INCORPORATED		SHEET NO. 1 OF 1	
				SIZE C		THIS DRAWING CONTAINS INFORMATION THAT IS PROPRIETARY TO MOLEX INCORPORATED AND SHOULD NOT BE USED WITHOUT WRITTEN PERMISSION			

13

12

11

10

9

8

7

6

5

4

3

2

1