

1:12 Clock Driver for Intel PCI-Express Chipsets

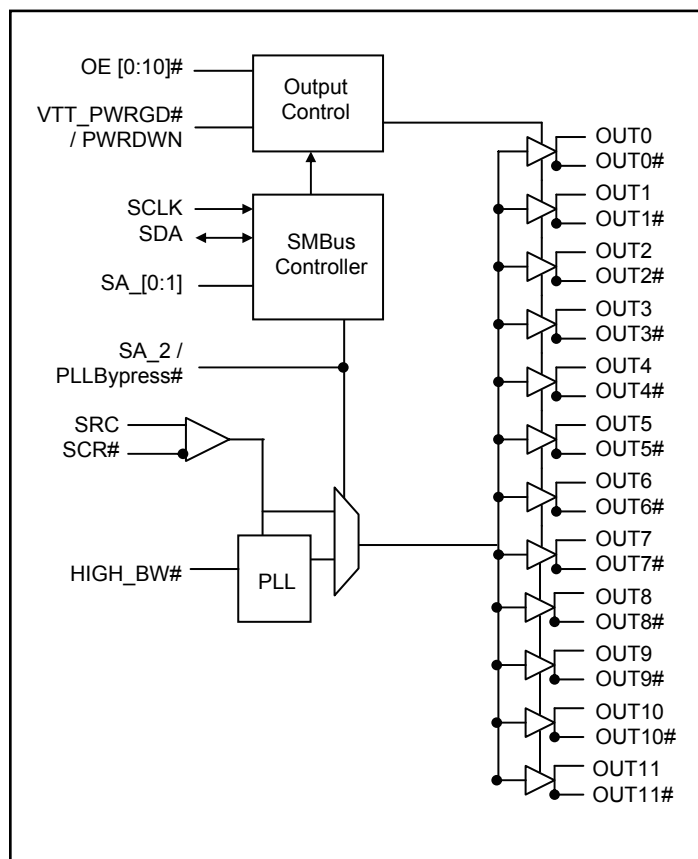
Features

- Twelve Pairs of PCI-Express Differential Clocks (HCSL compatible signaling)
- Low skew < 50ps
- Low jitter < 50ps
- Output Enable for all outputs
- Outputs tristate control via SMBus
- Power Management Control
- Programmable PLL Bandwidth
- PLL or Fan out operation
- Gear Ratio supporting different output frequencies
- 3.3V Operation
- 56-pin Packages (Pb-Free & Green):
 - TSSOP (A56) and SSOP (V56)

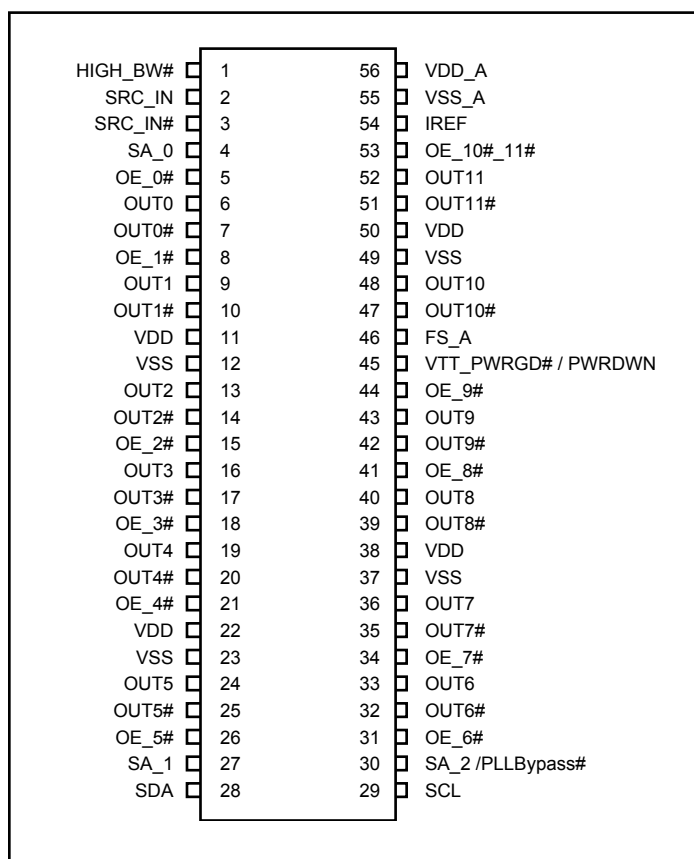
Description

PI6C21200 is a high-speed, low-noise PCI-Express differential clock buffer designed to be a companion with PI6C410B clock synthesizer. The device distributes twelve copies of the differential SRC clock coming from PI6C410B. The output frequency can be ratioed to offer a derivative frequency from the input frequency. Each differential output is controlled by individual OE pin, except OUT10 and OUT11 are sharing one OE_10#_11# pin. The clock outputs are controlled by input selection of SA_0, SA_1, SA_2 via SMBus, SCLK and SDA.

Block Diagram



Pinout Diagram



Pin Descriptions

Pin Name	Type	Pin Number	Descriptions
PLL_BW#	Input	1	3.3V LVTTTL input for selecting the PLL bandwidth. (High = Low BW)
SRC & SRC#	Input	2, 3	0.7V Differential SRC input from PI6C410B clock synthesizer
OUT[0:9] & OUT[0:9]#	Output	6, 7, 9, 10, 13, 14, 16, 17, 19, 20, 24, 25, 32, 33, 35, 36, 39, 40, 42, 43	0.7V Differential outputs, geared to the ratio of input clock. Can be configured to be 1:1 ratio.
OUT[10:11] & OUT[10:11]#	Output	47, 48, 51, 52	0.7V Differential outputs, geared to the ratio of input clock same as OUT[0:9]. Can be configured to be 1:1 ratio.
OE_[0:9]#	Input	5, 8, 15, 18, 21, 26, 31, 34, 41, 44	3.3V LVTTTL input for enabling outputs, active low. Control each OUT[0:9] pair.
OE_10#_11#	Input	53	3.3V LVTTTL input for enabling outputs, active low. Control each OUT[10:11] pair.
SA_[0:1]	Input	4, 27	3.3V LVTTTL input for selecting the SMBus address
SA_2 / PLL-BYPASS#	Input	30	3.3V LVTTTL input for selecting fan-out of PLL operation, and SMBus address. 0 = PLL Bypass, 1 = PLL mode
SCLK	Input	29	SMBus compatible SCLOCK input
SDA	I/O	28	SMBus compatible SDATA
IREF	Input	54	External resistor connection to set the differential output current
FS_A	Input	46	3.3V LVTTTL inputs for CPU frequency selection 0 = above 200 MHz, 1 = below 200 MHz
VTT_PWRGD# / PWRDWN	Input	45	3.3V LVTTTL input for Power Down operation, active high
VDD	Power	11, 22, 38, 50	3.3V Power Supply for Outputs
VSS	Ground	12, 23, 37, 49	Ground for Outputs
VSS_A	Ground	55	Ground for PLL
VDD_A	Power	56	3.3V Power Supply for PLL

Serial Data Interface (SMBus)

PI6C21200 is a slave only SMBus device that supports random byte read and write indexed block read and write protocol using a single 7-bit address and read/write bit as shown below.

SMBus Address Selection by SA_[0:2]

SA_2/ PLLBypass#	SA_1	SA_0	SMBus Address	PLL Mode
0	0	0	D0	Bypass
0	0	1	D2	Bypass
0	1	0	D4	Bypass
0	1	1	D6	Bypass
1	0	0	D8	PLL
1	0	1	DA	PLL
1	1	0	DC	PLL
1	1	1	DE	PLL

Indexed Block Read and Write Protocol

Block Write Protocol		Block Read Protocol	
Bit	Description	Bit	Description
1	Start	1	Start
2:8	Slave address - 7 bits	2:8	Slave address - 7 bits
9	Write = 0	9	Write = 0
10	Acknowledge from slave	10	Acknowledge from slave
11:18	Command Code - 8 Bits '00000000' Stand for block operation	11:18	Command Code - 8 Bits '00000000' Stand for block operation
19	Acknowledge from slave	19	Acknowledge from slave
20:27	Byte Count from master - 8 bits	20	Repeat start
28	Acknowledge from slave	21:27	Slave address - 7 bits
29:36	Datat byte 0 from master - 8 bits	28	Read = 1
37	Acknowledge from slave	29	Acknowledge from slave
38:45	Datat byte 1 from master - 8 bits	30:37	Byte count from slave - 8 bits
46	Acknowledge from slave	38	Acknowledge from host
....	Data bytes from master/Acknowledge	39:46	Data byte 0 from slave - 8 bits
....	Data byte N - 8 bits	47	Acknowledge from host
....	Acknowledge from slave	48:55	Data byte 1 from slave - 8 bits
....	Stop	56	Acknowledge from host
		Data bytes from slave/Acknowledge
		Data byte N from slave - 8 bits
		Acknowledge from host - 38 bits
		Stop

Random Byte Read and Write Protocol

Byte Write Protocol		Byte Read Protocol	
Bit	Description	Bit	Description
1	Start	1	Start
2:8	Slave address - 7 bits	2:8	Slave address - 7 bits
9	Write = 0	9	Write - 0
10	Acknowledge from slave	10	Acknowledge from slave
11:18	Command Code - 8 bits '100xxxxx' stands for byte operation, bits[6:0] of the command code represents the offset of the byte to be accessed.	11:18	Command Code - 8 bits '100xxxxx' stands for byte operation, bits[6:0] of the command code represents the offset of the byte to be accessed.
19	Acknowledge from slave	19	Acknowledge from slave
20:27	Data byte from master - 8 bits	20:27	Repeat start
28	Acknowledge from slave	21:27	Slave address - 7 bits
29	Stop	28	Read = 1
		29	Acknowledge from slave
		30:37	Data byte from slave - 8 bits
		38	Acknowledge from master - 38 bits
		39	Stop

Data Byte 0: Control Register

Bit	Descriptions	Type	Power Up Condition	Output(s) Affected
0	FSB Gear Ratio SMBus	RW	1	
1	FSB Gear Ratio SMBus	RW	Depends on FS_A pin ⁽¹⁾	
2	FSB Gear Ratio SMBus	RW	0	
3	FSB Gear Ratio SMBus	RW	Depends on FS_A pin ⁽¹⁾	
4	FS_A PI6C410B latched input	RW	Latch	
5	Reserved	RW	1	
6	Group of 2 gear ratio select 1 = 1:1, 0 = Gear Raito	RW	1	OUT[10:11], OUT[10:11]#
7	Group of 10 gear ratio select 1 = 1:1, 0 = Gear Raito	RW	1	OUT[0:9], OUT[0:9]#

Note:

1. When FS_A = 1, Bit 1 = 0 and Bit 3 = 1; When FS_A = 0, Bit 1 = 1 and Bit 3 = 0

Data Byte 1: Control Register

Bit	Descriptions	Type	Power Up Condition	Output(s) Affected
0	OUTPUTS enable 1 = Enabled 0 = Hi-Z	RW	1 = Enabled	OUT0, OUT0#
1		RW	1 = Enabled	OUT1, OUT1#
2		RW	1 = Enabled	OUT2, OUT2#
3		RW	1 = Enabled	OUT3, OUT3#
4		RW	1 = Enabled	OUT4, OUT4#
5		RW	1 = Enabled	OUT5, OUT5#
6		RW	1 = Enabled	OUT6, OUT6#
7		RW	1 = Enabled	OUT7, OUT7#

Data Byte 2: Control Register

Bit	Descriptions	Type	Power Up Condition	Output(s) Affected
0	OUTPUTS enable 1 = Enabled 0 = Hi-Z	RW	1 = Enabled	OUT8, OUT8#
1		RW	1 = Enabled	OUT9, OUT9#
2		RW	1 = Enabled	OUT10, OUT10#
3		RW	1 = Enabled	OUT11, OUT11#
4	Reserved	RW		
5	PLL/BYPASS# 0 = Fanout, 1 = PLL	RW	1 = PLL	OUT[0:11], OUT[0:11]#
6	PLL Bandwidth 0 = High Bandwidth, 1 = Low Bandwidth	RW	1 = Low	OUT[0:11], OUT[0:11]#
7	Outputs current select at PWRDWN = 1 1 = 2 x I _{REF} , 0 = HiZ	RW	1	

Data Byte 3: Control Register

Bit	Descriptions	Type	Power Up Condition	Output(s) Affected
0	OE_0#, 1 = Disable (Hi-Z), 0 = Enable	R	Depends on state of pin	OUT0, OUT0#
1	OE_1#, 1 = Disable (Hi-Z), 0 = Enable	R	Depends on state of pin	OUT1, OUT1#
2	OE_2#, 1 = Disable (Hi-Z), 0 = Enable	R	Depends on state of pin	OUT2, OUT2#
3	OE_3#, 1 = Disable (Hi-Z), 0 = Enable	R	Depends on state of pin	OUT3, OUT3#
4	OE_4#, 1 = Disable (Hi-Z), 0 = Enable	R	Depends on state of pin	OUT4, OUT4#
5	OE_5#, 1 = Disable (Hi-Z), 0 = Enable	R	Depends on state of pin	OUT5, OUT5#
6	OE_6#, 1 = Disable (Hi-Z), 0 = Enable	R	Depends on state of pin	OUT6, OUT6#
7	OE_7#, 1 = Disable (Hi-Z), 0 = Enable	R	Depends on state of pin	OUT7, OUT7#

Data Byte 4: Control Register

Bit	Descriptions	Type	Power Up Condition	Output(s) Affected
0	OE_8#, 1 = Disable (Hi-Z), 0 = Enable	R	Depends on state of pin at power up	OUT8, OUT8#
1	OE_9#, 1 = Disable (Hi-Z), 0 = Enable	R	Depends on state of pin at power up	OUT9, OUT9#
2	OE_10#_11#, 1 = Disable (Hi-Z), 0 = Enable	R	Depends on state of pin at power up	OUT[10:11], OUT[10:11]#
3	Reserved	R		
4	Reserved	R		
5	Readback – PLLBypass input	R	Latch value of pin at power up	
6	Readback – HIGH_BW# input	R	Latch value of pin at power up	
7	Readback – FS_A input	R	Latch value of pin at power up	

Data Byte 5: Pericom ID Register

Bit	Descriptions	Type	Power Up Condition	Output(s) Affected
0	Pericom ID	R	0	NA
1		R	0	NA
2		R	0	NA
3		R	0	NA
4	Revision Code	R	0	NA
5		R	0	NA
6		R	0	NA
7		R	0	NA

Data Byte 6: Device ID Register

Bit	Descriptions	Type	Power Up Condition	Output(s) Affected
0	Device ID 0	R	0	NA
1	Device ID 1	R	0	NA
2	Device ID 2	R	1	NA
3	Device ID 3	R	1	NA
4	Device ID 4	R	0	NA
5	Device ID 5	R	0	NA
6	Device ID 6	R	0	NA
7	Device ID 7	R	0	NA

Data Byte 7: Byte Counter Register

Bit	Descriptions	Type	Power Up Condition	Output(s) Affected
0	BC0 - Writing to the register configures how many bytes will be read back	RW	1	NA
1	BC1 - Writing to the register configures how many bytes will be read back	RW	1	NA
2	BC2 - Writing to the register configures how many bytes will be read back	RW	1	NA
3	BC3 - Writing to the register configures how many bytes will be read back	RW	0	NA
4	BC4 - Writing to the register configures how many bytes will be read back	RW	0	NA
5	BC5 - Writing to the register configures how many bytes will be read back	RW	0	NA
6	BC6 - Writing to the register configures how many bytes will be read back	RW	0	NA
7	BC7 - Writing to the register configures how many bytes will be read back	RW	0	NA

Programmable Gear Ratio – Output Frequency

FS_A	SMBus Byte 0				Input	Output	Gear Ratio	CPU Input Frequency (MHz)				
	Bit 3	Bit 2	Bit 1	Bit 0	M	N	(N/M)	200	266.7	320	333.3	400
0	0	0	0	0	3	1	0.333	NA	NA	106.7	111.1	133.3
0	0	0	0	1	5	2	0.400	NA	106.7	128.0	133.3	160.0
0	0	0	1	0	12	5	0.417	NA	111.1	133.3	138.9	166.7
0	0	0	1	1	2	1	0.500	100.0	133.3	160.0	166.7	200.0
0	0	1	0	0	5	3	0.600	120.0	160.0	192.0	200.0	240.0
0	0	1	0	1	8	5	0.625	125.0	166.7	200.0	208.3	NA
0	0	1	1	0	3	2	0.667	133.3	177.8	213.3	222.2	266.7
0	0	1	1	1	4	3	0.750	150.0	200.0	240.0	NA	NA
0	1	0	0	0	6	5	0.833	166.7	222.2	NA	NA	NA
0	1	0	0	1	1	1	1.000	200.0	266.7	320.0	333.3	400.0
0	1	0	1	0	5	6	1.200	240.0	320.0	384.0	400.0	480.0
0	1	0	1	1	4	5	1.250	250.0	333.3	400.0	416.6	500.0
0	1	1	0	0	3	4	1.333	266.7	NA	NA	NA	NA
0	1	1	0	1	2	3	1.500	300.0	400.0	480.0	NA	NA
0	1	1	1	0	3	5	1.667	333.3	444.4	NA	NA	NA
0	1	1	1	1	1	2	2.000	400.0	NA	NA	NA	NA

Note:

1. Line in BOLD is power-up default for FS_A = 0 for Pericom Semiconductor's PI6C410B.

Programmable Gear Ratio - Output Frequency -- Continued

FS_A	SMBus Byte 0				Input	Output	Gear Ratio	CPU Input Frequency (MHz)				
	Bit 3	Bit 2	Bit 1	Bit 0	M	N	(N/M)	100	133.3	160	166.67	200
1	0	0	0	0	3	1	0.333	NA	NA	53.3	55.6	66.7
1	0	0	0	1	5	2	0.400	NA	53.3	64.0	66.7	80.0
1	0	0	1	0	12	5	0.417	NA	55.6	66.7	69.4	83.3
1	0	0	1	1	2	1	0.500	50.0	66.7	80.0	83.3	100.0
1	0	1	0	0	5	3	0.600	60.0	80.0	96.0	100.0	120.0
1	0	1	0	1	8	5	0.625	62.5	83.3	100.0	104.2	NA
1	0	1	1	0	3	2	0.667	66.7	88.9	106.7	111.1	133.3
1	0	1	1	1	5	4	0.800	80.0	106.7	128.0	133.3	160.0
1	1	0	0	0	6	5	0.833	NA	111.1	133.3	138.9	166.7
1	1	0	0	1	1	1	1.000	100.0	133.3	160.0	166.7	200.0
1	1	0	1	0	5	6	1.200	120.0	160.0	192.0	200.0	240.0
1	1	0	1	1	4	5	1.250	125.0	166.7	200.0	208.3	NA
1	1	1	0	0	3	4	1.333	133.3	177.8	213.3	222.2	266.7
1	1	1	0	1	2	3	1.500	150.0	200.2	240.0	250.0	300.0
1	1	1	1	0	3	5	1.667	166.7	222.2	266.7	277.8	333.3
1	1	1	1	1	1	2	2.000	200.0	266.7	320.0	333.3	400.0

Note:

1. Line in BOLD is power-up default for FS_A = 0 for Pericom Semiconductor's PI6C410B.

Functionality

VTT_PWRGD# / PWRDWN	OUT	OUT#
0	Normal	Normal
1	2 x I _{REF} or Float	Low

OE# pin	OE (SMBus bit)	OUT	OUT#
0	1	Normal	Normal
0	0	Hi-Z	Hi-Z
1	1	Hi-Z	Hi-Z
1	0	Hi-Z	Hi-Z

Power Down (PWRDWN assertion)

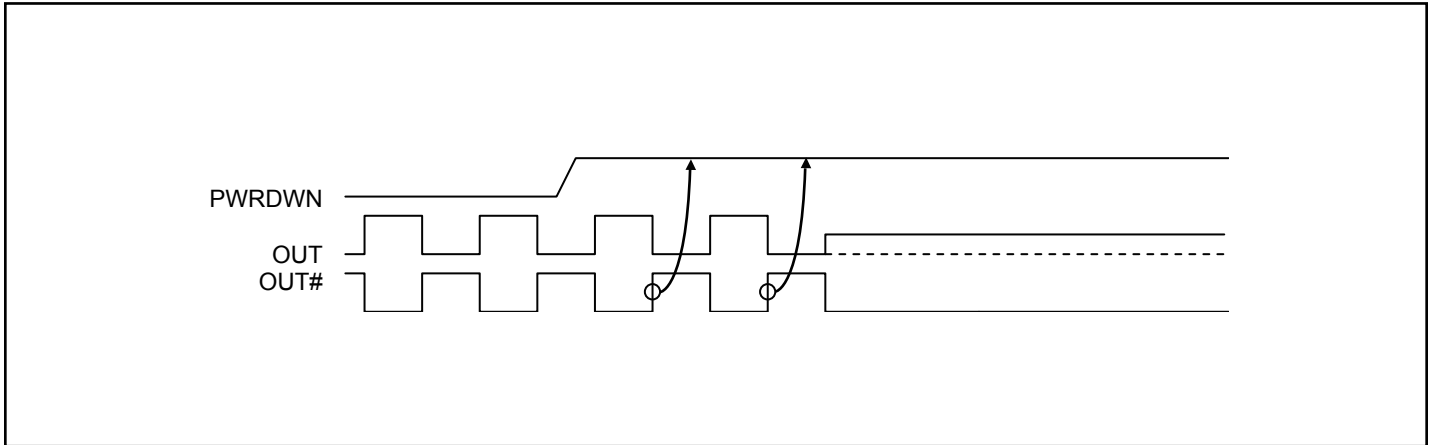


Figure 1. Power down sequence

Power Down (PWRDWN De-assertion)

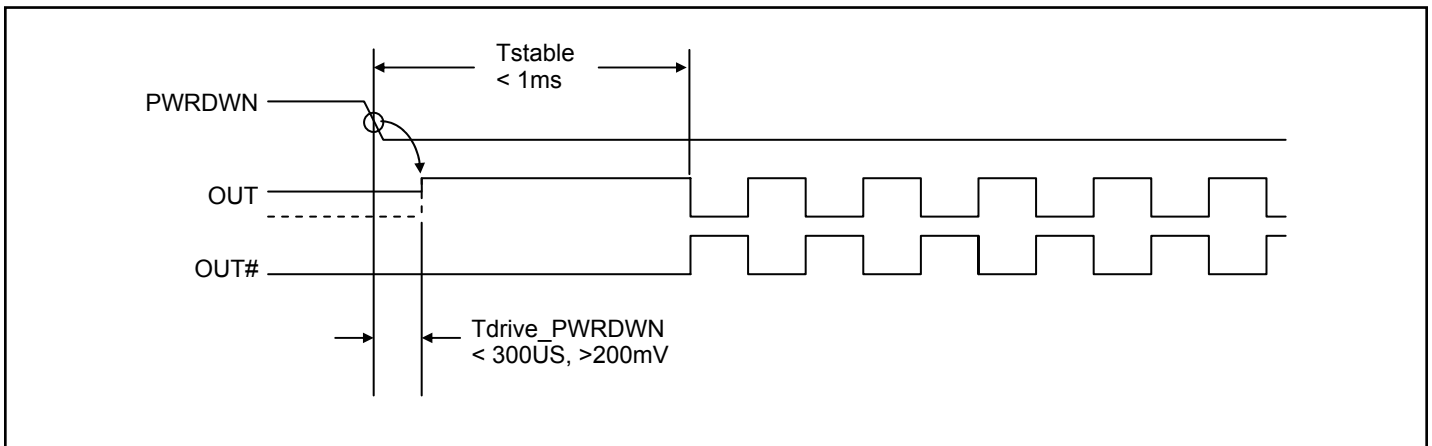


Figure 2. Power down de-assert sequence

Current-mode output buffer characteristics of OUT[0:11], OUT[0:11]#

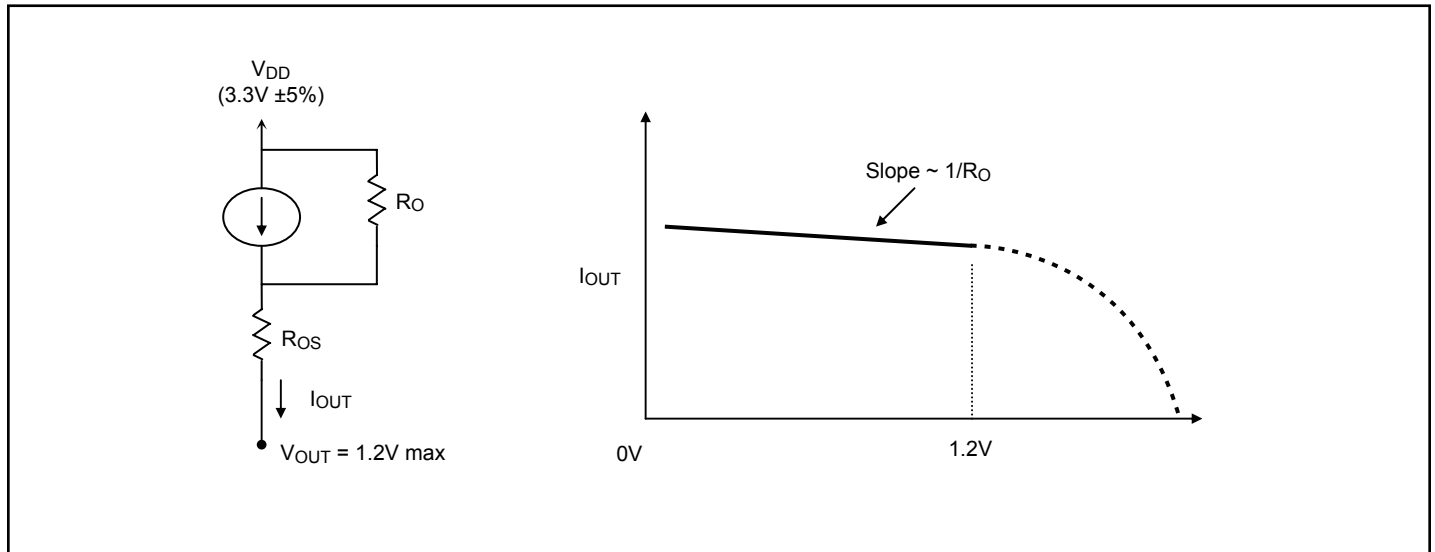


Figure 3. Simplified diagram of current-mode output buffer

Differential Clock Buffer Characteristics

Symbol	Minimum	Maximum
R_O	3000 Ω	N/A
R_{OS}	unspecified	unspecified
V_{OUT}	N/A	850mV

Current Accuracy

Symbol	Conditions	Configuration	Load	Min.	Max.
I_{OUT}	$V_{DD} = 3.30 \pm 5\%$	$R_{REF} = 475\Omega$ 1% $I_{REF} = 2.32mA$	Nominal test load for given configuration	-12% $I_{NOMINAL}$	+12% $I_{NOMINAL}$

Note:

- $I_{NOMINAL}$ refers to the expected current based on the configuration of the device.

Differential Clock Output Current

Board Target Trace/Term Z	Reference R, $I_{ref} = V_{DD}/(3xRr)$	Output Current	$V_{OH} @ Z$
100 Ω differential	$R_{REF} = 475\Omega$ 1%, $I_{REF} = 2.32mA$	$I_{OH} = 6 \times I_{ref}$	0.7V @ 50

Absolute Maximum Ratings (Over operating free-air temperature range)

Symbol	Parameters	Min.	Max.	Units
V _{DD_A}	3.3V Core Supply Voltage	-0.5	4.6	V
V _{DD}	3.3V I/O Supply Voltage	-0.5	4.6	
V _{IH}	Input High Voltage		4.6	
V _{IL}	Input Low Voltage	-0.5		
T _s	Storage Temperature	-65	150	°C
V _{ESD}	ESD Protection	2000		V

Note:

- Stress beyond those listed under “Absolute Maximum Ratings” may cause permanent damage to the device.

DC Electrical Characteristics (V_{DD} = 3.3±5%, V_{DD_A} = 3.3 ±5%)

Symbol	Parameters	Condition	Min.	Max.	Units
V _{DD_A}	3.3V Core Supply Voltage		3.135	3.465	V
V _{DD}	3.3V I/O Supply Voltage		3.135	3.465	
V _{IH}	3.3V Input High Voltage	V _{DD}	2.0	V _{DD} + 0.3	
V _{IL}	3.3V Input Low Voltage		V _{SS} - 0.3	0.8	
I _{IK}	Input Leakage Current	0 < V _{IN} < V _{DD}	-5	+5	µA
V _{OH}	3.3V Output High Voltage	I _{OH} = -1mA	2.4		V
V _{OL}	3.3V Output Low Voltage	I _{OL} = 1mA		0.4	
I _{OH}	Output High Current	I _{OH} = 6 x I _{REF} , I _{REF} = 2.32mA	12.2	15.6	mA
C _{IN}	Input Pin Capacitance		3	5	
C _{OUT}	Output Pin Capacitance			6	pF
L _{PIN}	Pin Inductance			7	nH
I _{DD}	Power Supply Current	V _{DD} = 3.465V, F _{CPU} = 400 MHz		375	mA
I _{SS}	Power Down Current	Driven outputs		90	
I _{SS}	Power Down Current	Tristate outputs		24	
T _A	Ambient Temperature		0	70	°C

AC Switching Characteristics ($V_{DD} = 3.3 \pm 5\%$, $V_{DD_A} = 3.3 \pm 5\%$)

Symbol	Parameters	Min	Max.	Units	Notes
T_{rise} / T_{fall}	Rise and Fall Time (measured between 0.175V to 0.525V)	125	525	ps	3
$\Delta T_{rise} / \Delta T_{fall}$	Rise and Fall Time Variation		75		3
	Rise/Fall Matching		10	%	3
T_{pd}	PLL Mode		± 250	ps	
	Non-PLL Mode	3		ns	
T_{skew}	Output-to-Output Skew OUT [9:0] or OUT [10:11]		50	ps	4
T_{skew}	Output-to-Output Skew OUT [9:0] to OUT [10:11]		75		4
T_{jitter}	Cycle-to-Cycle Jitter		50		4
V_{HIGH}	Voltage High including overshoot	660	850	mV	3
V_{LOW}	Voltage Low including undershoot	-150			3
V_{CROSS}	Absolute crossing poing voltages	250	550		3
ΔV_{CROSS}	Total Variation of Vcross over all edges		100		3
T_{DC}	Duty Cycle	45	55	%	4

Notes:

3. Measurement taken from Single Ended waveform.
4. Measurement taken from Differential waveform.
5. Test configuration is $R_S = 33.2\Omega$, $R_p = 49.9\Omega$, and 2pF.

Configuration Test Load Board Termination

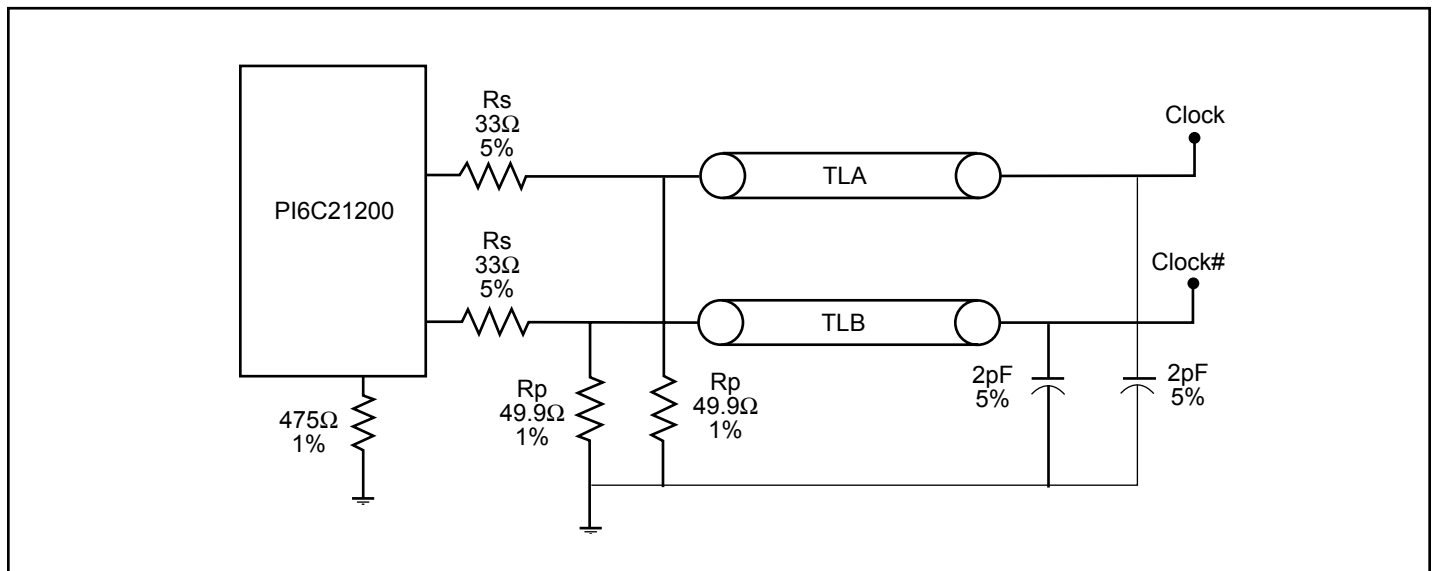
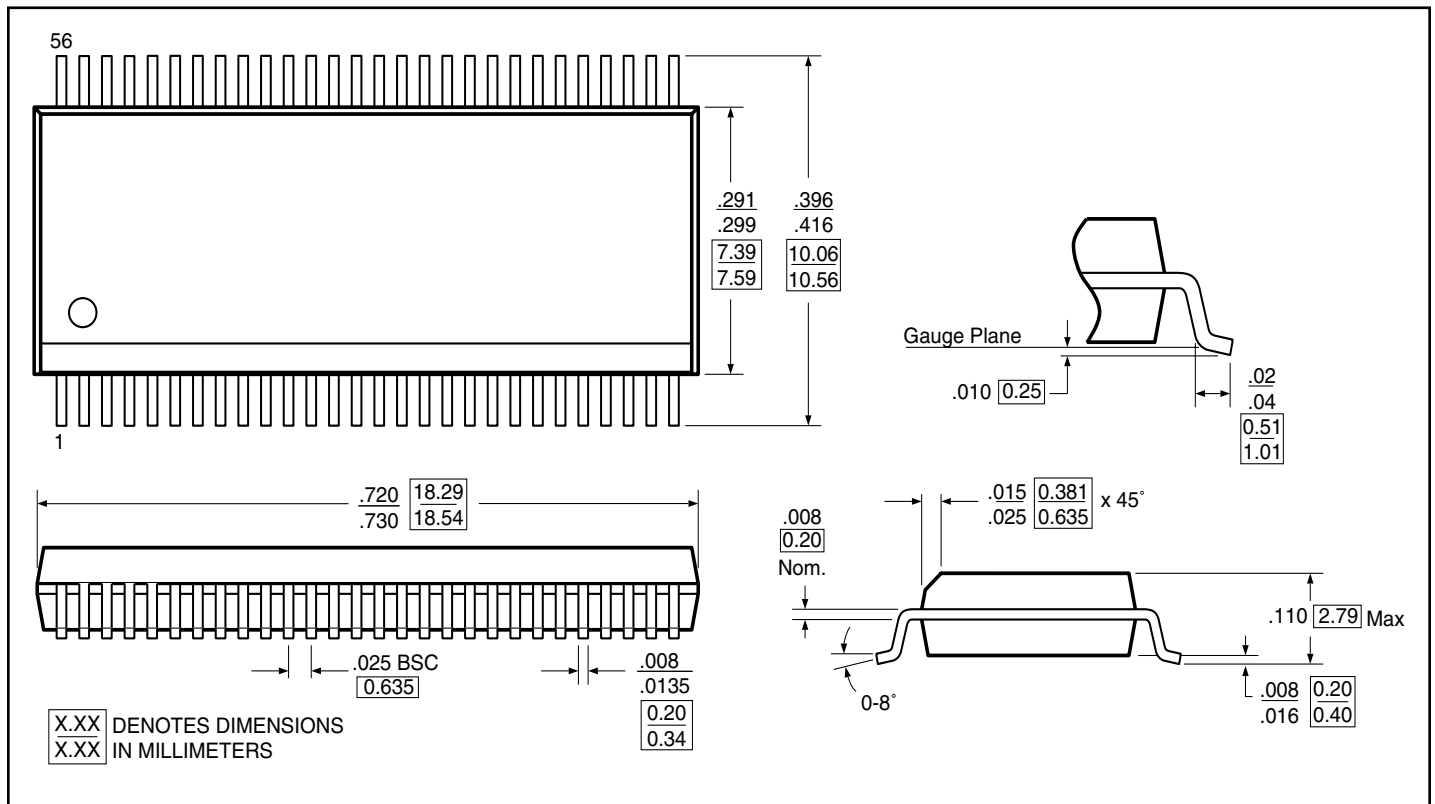


Figure 4. Configuration test load board termination

Note:

1. TLA and TLB are 3” transmission lines.

Packaging Mechanical: 56-Pin, 400-mil wide SSOP (V)

Ordering Information:

Ordering Code	Packaging Code	Package Type
PI6C21200AE	A	56-Pin, 240-mil wide, 0.5mm pitch TSSOP, Pb-Free and Green
PI6C21200VE	V	56-Pin, 400-mil wide, 0.65mm pitch SSOP, Pb-Free and Green