

CGA4F4C0G2W222J085AE

TDK Item Description : CGA4F4C0G2W222JT***S



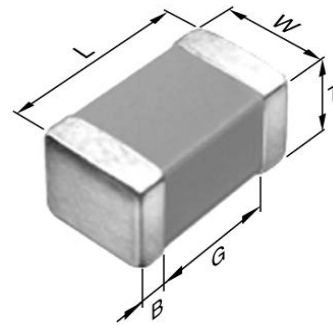
Equivalent C2012C0G2W222J for Automotive

Application & Main Feature

Automotive Grade (Soft Termination)

Series

CGA4(2012) CC0805]



Dimensions

L	2.00mm +0.45,-0.2mm
W	1.25mm +0.25,-0.2mm
T	0.85mm +/-0.15mm
B	0.20mm Min.
G	0.50mm Min.

Temperature Characteristic

C0G (-55 to 125 degC 0+/-30ppm/degC)

Rated Voltage

2W (450Vdc)

Capacitance

2.2nF

Capacitance Tolerance

J (+/-5%)

Q Factor

1000 Min.

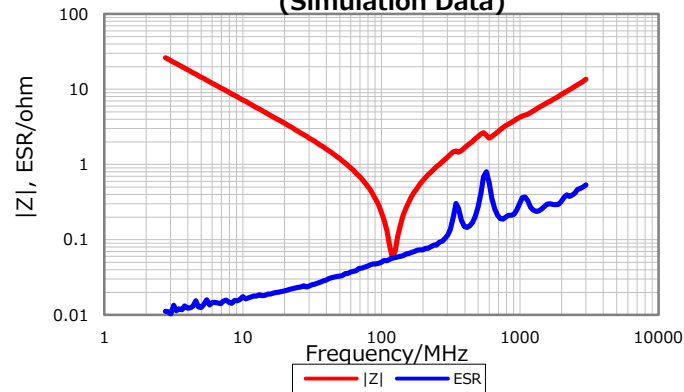
Insulation Resistance

10Gohm Min

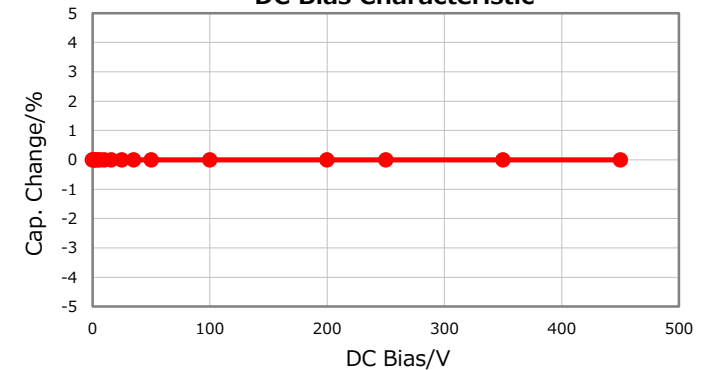
AEC-Q200

Yes

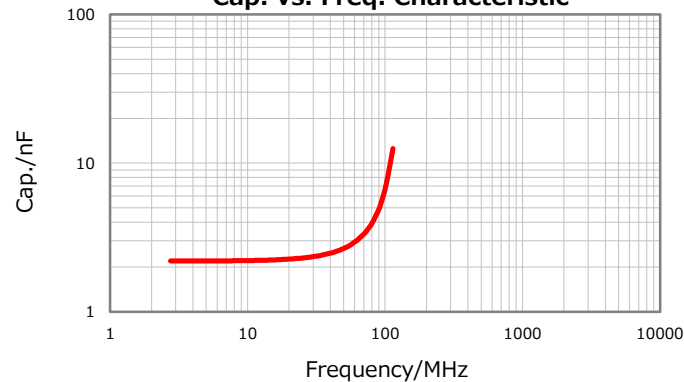
**|Z|, ESR vs. Freq. Characteristics
(Simulation Data)**



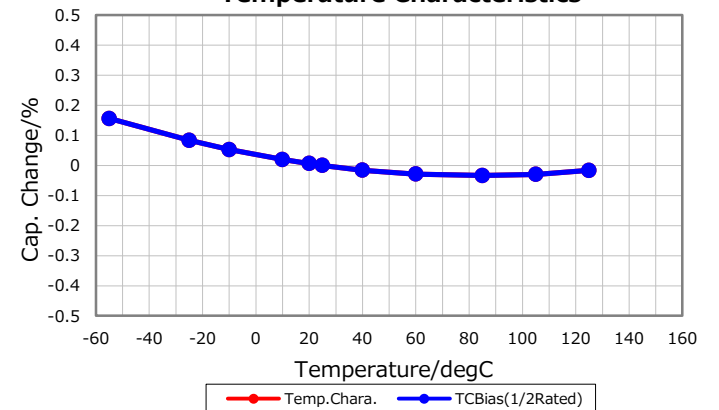
DC Bias Characteristic



Cap. vs. Freq. Characteristic



Temperature Characteristics



Characterization Sheet (Multilayer Ceramic Chip Capacitors)



All specifications are subject to change without notice.

May 12, 2017