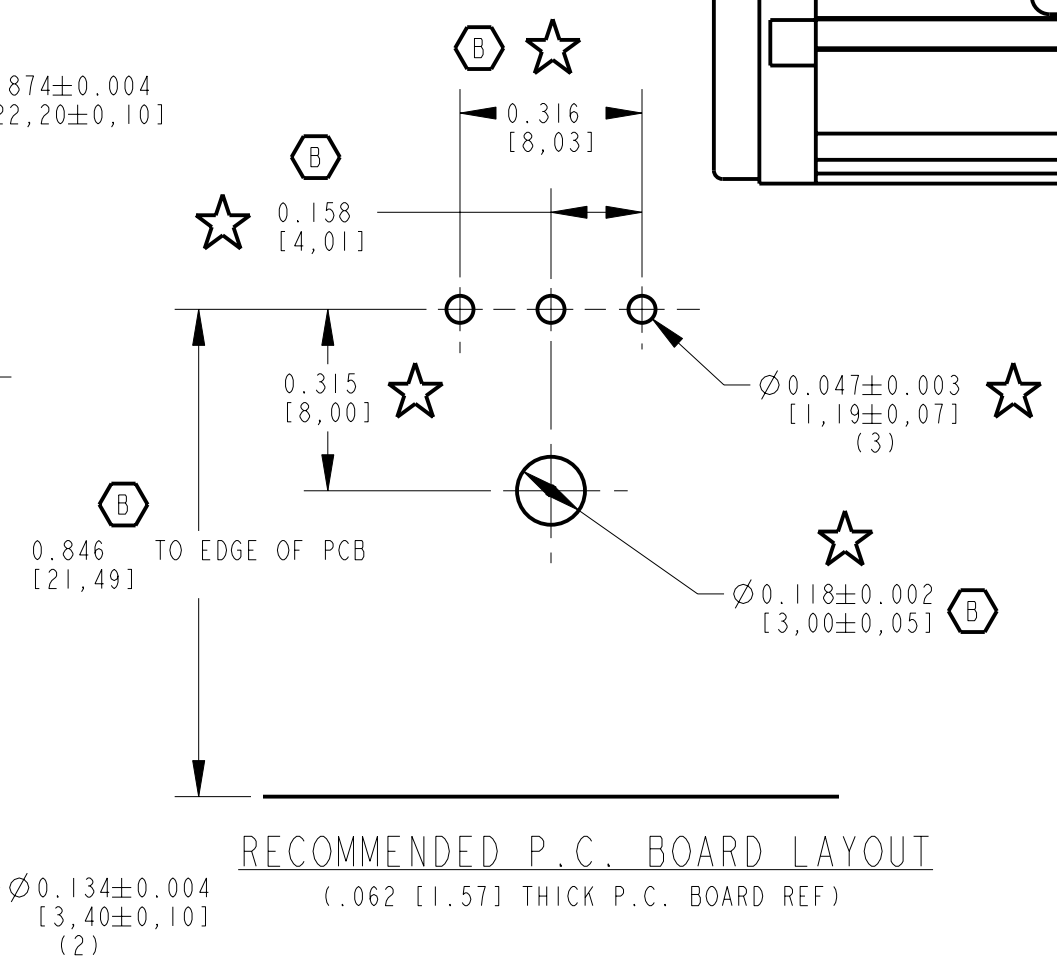
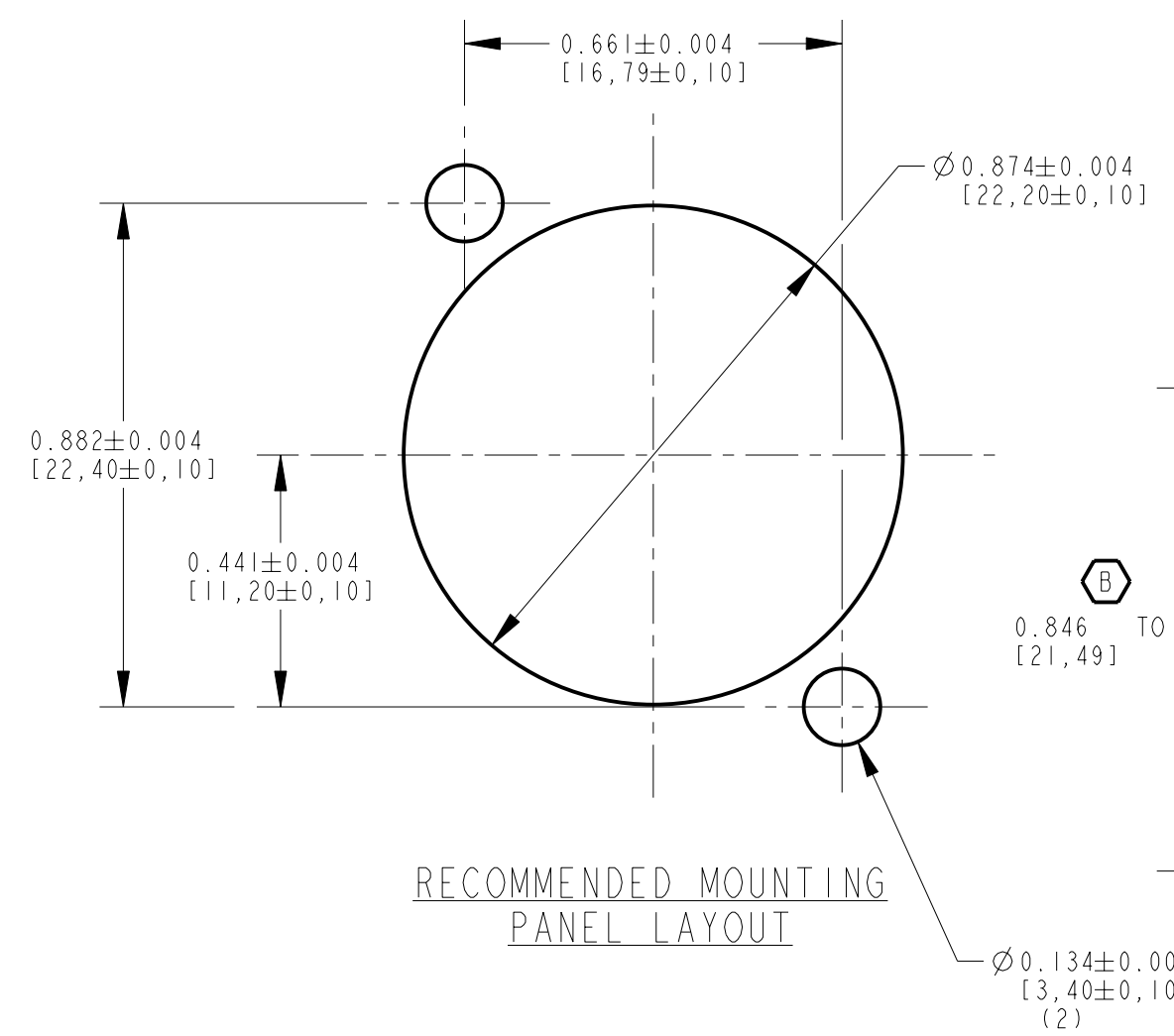


MATERIALS:

HOUSING - ZINC ALLOY, NICKEL PLATED
 CONTACTS - COPPER ALLOY, SILVER PLATED
 INSULATOR - THERMOPLASTIC, UL 94-0 RATED
 INSULATING SPACER - PHENOLIC
 GROUND SPRING - HEAT TREATED STEEL OR COPPER ALLOY, TIN PLATED
 GROUND PIN - COPPER ALLOY, TIN PLATED
 FERRITE - NICKEL ZINC, K-100
 RATED CURRENT - 3 AMP
 SERVICE VOLTAGE - 133 VAC



CUSTOMER DRAWING

☆ STAR SYMBOL DENOTES CRITICAL DIMENSION UNLESS OTHERWISE SPECIFIED 1. ALL DIMENSIONS IN INCHES - TWO PLACE DECIMALS ±0.01 - THREE PLACE DECIMALS ±0.005 - ANGLES ±1° - ALL DIA. CONCENTRIC WITHIN 0.005 T.I.R. 2. FEATURES ON THE SAME CENTERLINE MUST BE ALIGNED WITHIN ±0.002 3. REMOVE ALL BURRS DO NOT SCALE DRAWING					THIS DRAWING DESCRIBES A DESIGN CONSIDERED PROPRIETARY IN NATURE, DEVELOPED AND MANUFACTURED BY SWITCHCRAFT INC. AND IS RELEASED ON A CONFIDENTIAL BASIS FOR IDENTIFICATION PURPOSES ONLY.				
SIZE		WIDTH		MULT		LBS/M		TEMPER	
FINISH					MATERIAL				
SPEC No.					SPEC No.				
FIRST USED ON					SCALE				
					3:1				
DATE DRAWN	BY	CHKD	APVD						
21-Jan-02	KJB	TJK	KJB	SHEET OF					
NAME			PART No.			REV			
MALE 3 PIN OG			E3MRAF			B			
RA/PC W/FERRITE									

REV	ECO NUMBER	DATE	BY	APVD
B	24518	7/14/3	KJB	KJB
A	22650	1-21-02	TJK	KJB